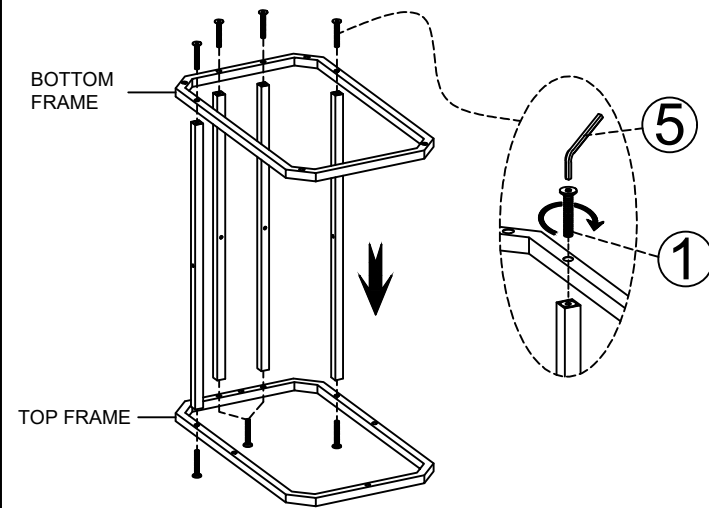
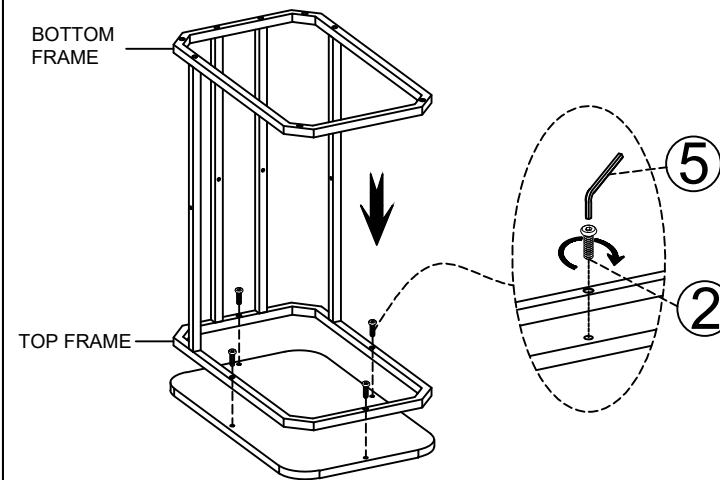


ASSEMBLY INSTRUCTIONS INSTRUCCIONES

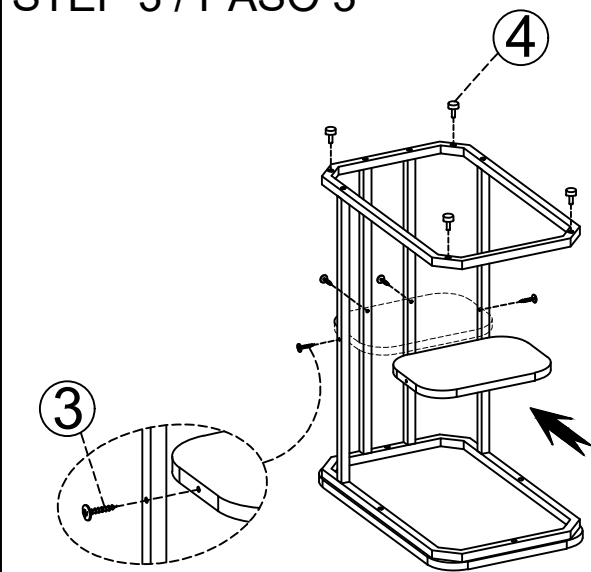
STEP 1 / PASO 1



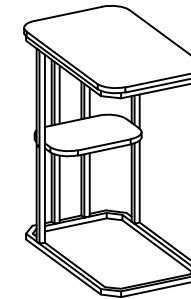
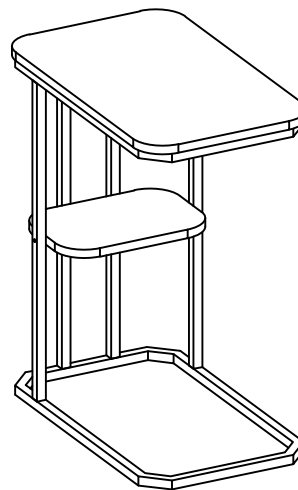
STEP 2 / PASO 2



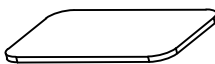
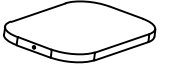

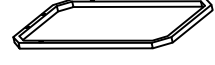



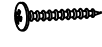
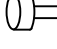

STEP 3 / PASO 3



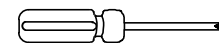
STEP 4 / PASO 4



PARTS LIST / LISTA DE PARTES

			1
			1
			1
			1
			4
1		φ1/4"-20 x1-1/2" FOR LEG	8
2		φ1/4"-20 x1" FOR TABLE TOP	4
3		φ8x30mm FOR TABLE SHELF	4
4		φ12x10mm FOR BOTTOM FRAME	4
5		M4	1

ASSEMBLY TOOL NOT INCLUDED



Remark : Do not tighten screws until completely Assembled.
No apretar los tornillos hasta armar completamente.