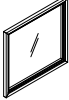

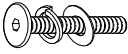



PARTS LIST/ LISTA DE PARTES
BOX OF DRESSER TOP

1		DRESSER TOP	1 PC/PIEZA
2		DRESSER SUPPORT	2 PCS/PIEZAS

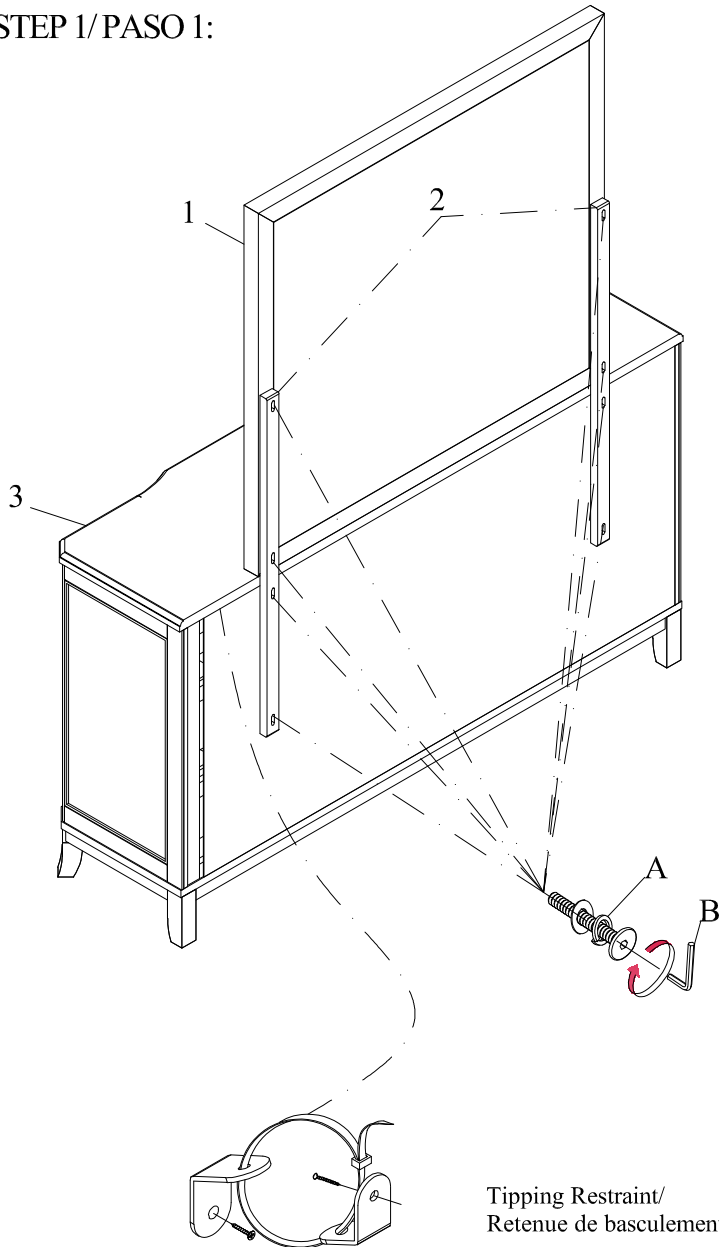
HARDWARE LIST/LISTA DE TORNILLO
BOX OF DRESSER TOP

A		BOLT Ø1/4"-20x1-1/2"L	8 PCS/PIEZAS
B		ALLEN WRENCH 4MM	1 PC/PIEZA

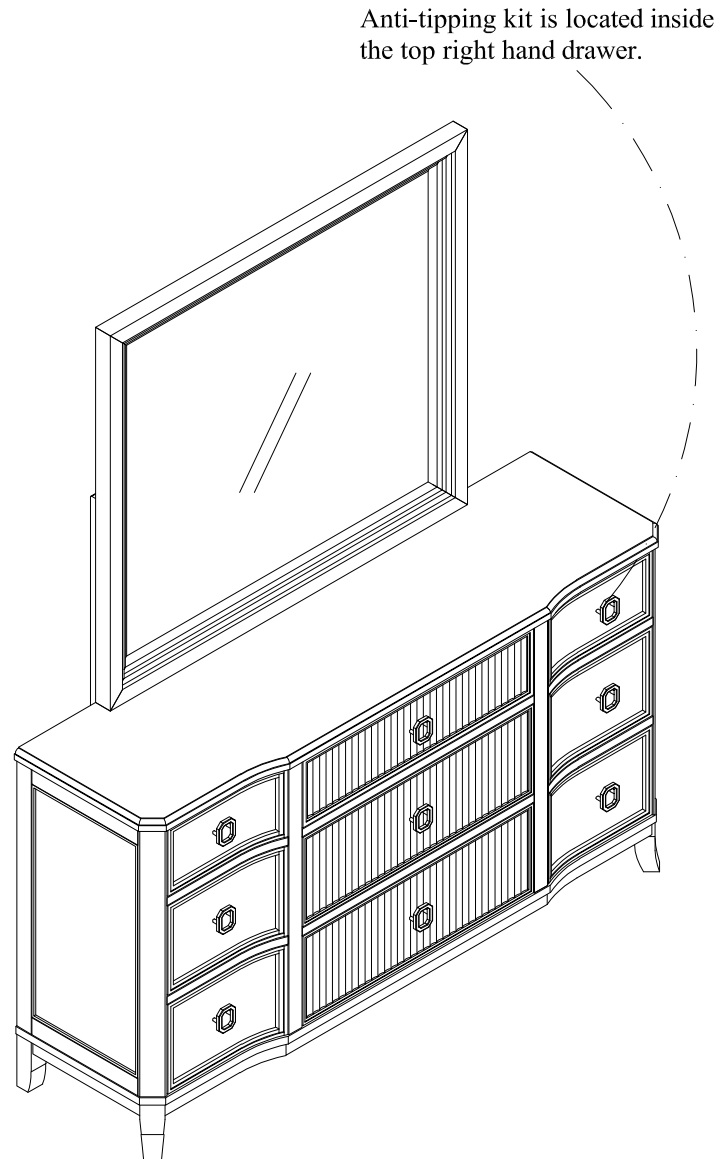
BOX OF DRESSER

3		DRESSER	1 PC/PIEZA
---	---	---------	------------

STEP 1/PASO 1:



STEP 2/PASO 2:



COMPLETED DRESSER & MIRROR ASSEMBLY

NOTE: PERIODICALLY CHECK TO ENSURE THAT ALL CONNECTORS (BOLTS, SCREWS, ETC.) ARE TIGHT.

NOTA: VERIFIQUE PERIÓDICAMENTE QUE TODOS LOS CONECTORES (TUERCAS, TORNILLOS, ETC.) ESTÉN BIEN APRETADOS.