







PARTS LIST/ LISTA DE PARTES
BOX 1: BOX OF HEADBOARD

1		HEADBOARD	1 PC/PIEZA
2		HEADBOARD LEG (R/L)	2 PCS/PIEZAS
3		STRETCHER	1 PC/PIEZA







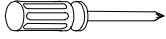
BOX 2: BOX OF FOOTBOARD

4		FOOTBOARD	1 PC/PIEZA
5		BED SLAT	4 PCS/PIEZAS
6		SUPPORT LEG	4 PCS/PIEZAS

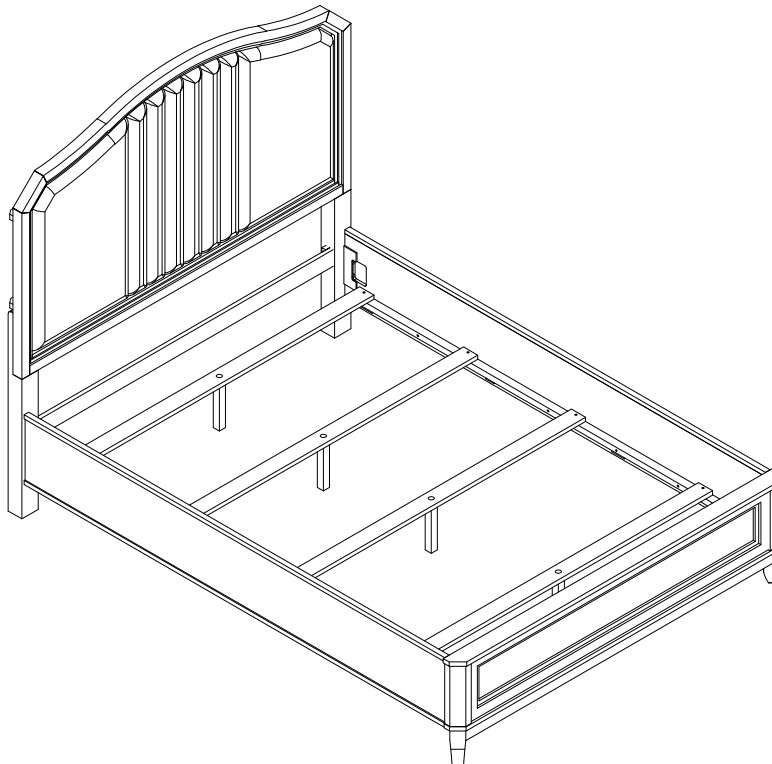
BOX 3: BOX OF RAIL

7		SIDE RAIL (L/R)	2 PCS/PIEZAS
---	---	-----------------	--------------

HARDWARE LIST/LISTA DE TORNILLO

A		BOLT Ø5/16"-18x2"L	12 PCS/PIEZAS
B		ALLEN WRENCH 5MM	1 PC/PIEZA
C		THREADED STUD Ø5/16x90mm	8 PCS/PIEZAS
D		HEX NUT Ø5/16x12mm	8 PCS/PIEZAS
E		WRENCH	1 PC/PIEZA
F		SCREW #4x30mm	8 PCS/PIEZAS
ASSEMBLY TOOL NOT INCLUDED			

STEP 1/PASO 1:



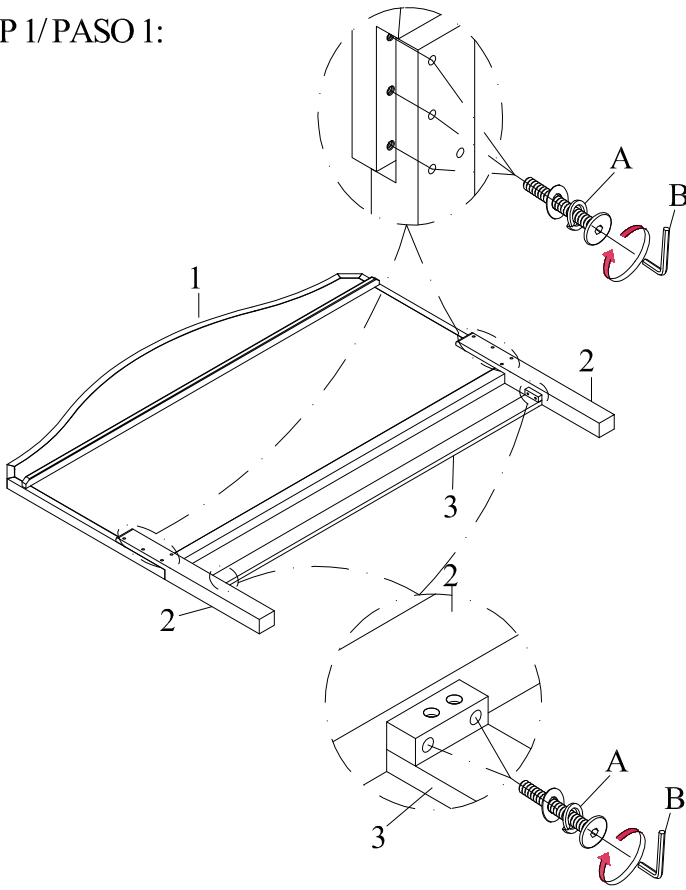
NOTE: DURING ASSEMBLY, DO NOT FULLY TIGHTEN ANY HARDWARE UNTIL THE COMPLETE UNIT HAS BEEN ASSEMBLED.

THE HARDWARE IS LOCATED IN THE PACKING ITEMS

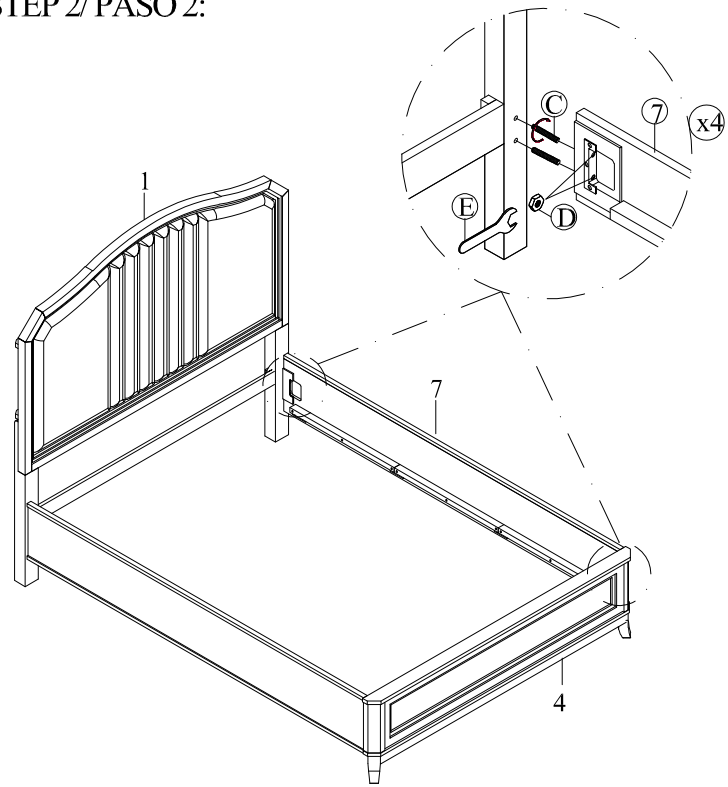
NOTE: PERIODICALLY CHECK TO ENSURE THAT ALL CONNECTORS (BOLTS, SCREWS, ETC.) ARE TIGHT.

NOTA: VERIFIQUE PERIÓDICAMENTE QUE TODOS LOS CONECTORES (TUERCAS, TORNILLOS, ETC.) ESTÉN BIEN APRETADOS.

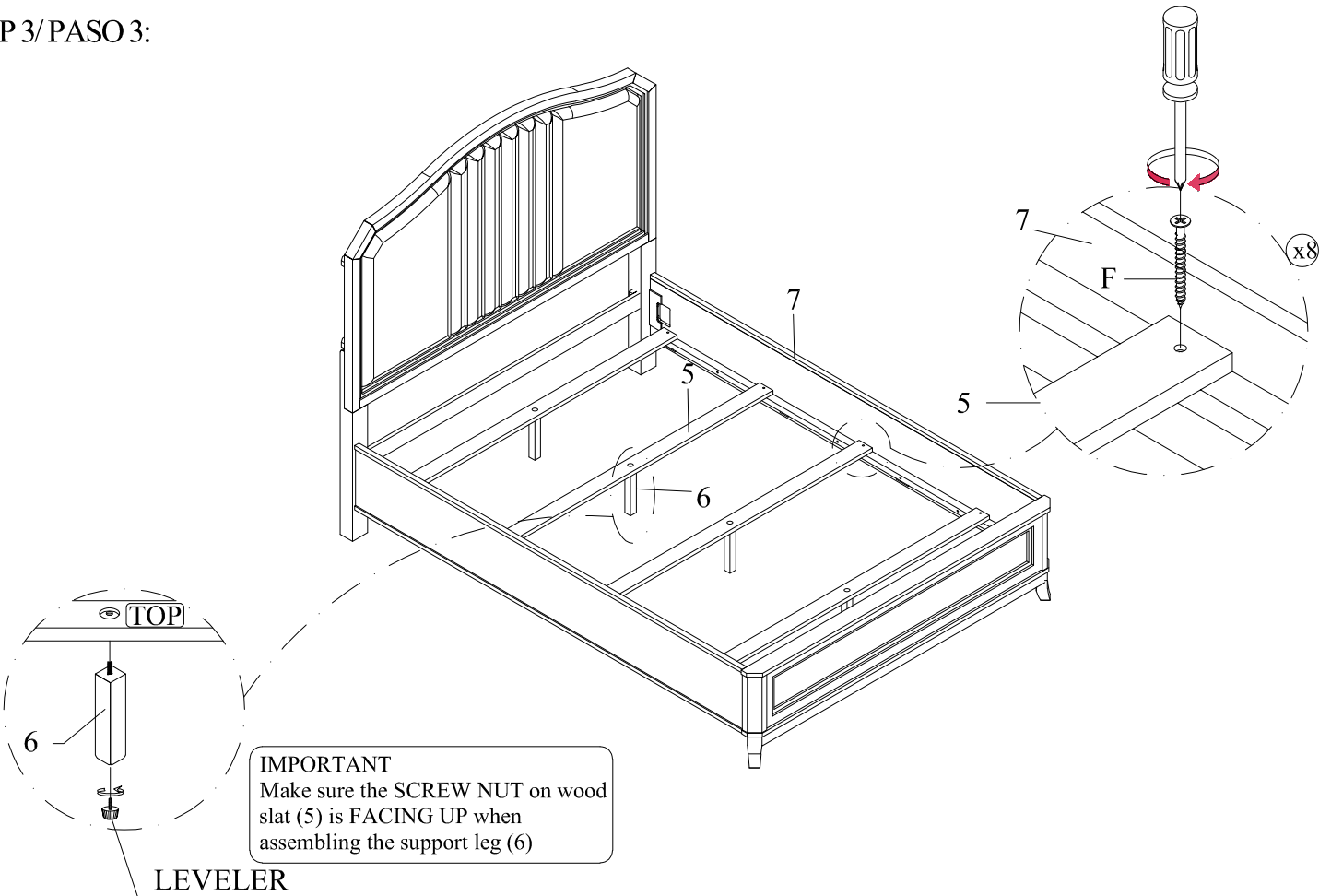
STEP 1/PASO 1:



STEP 2/PASO 2:



STEP 3/PASO 3:



THE HARDWARE IS LOCATED IN THE PACKING ITEMS

NOTE: PERIODICALLY CHECK TO ENSURE THAT ALL CONNECTORS (BOLTS, SCREWS, ETC.) ARE TIGHT.

NOTA: VERIFIQUE PERIÓDICAMENTE QUE TODOS LOS CONECTORES (TUERCAS, TORNILLOS, ETC.) ESTÉN BIEN APRETADOS.