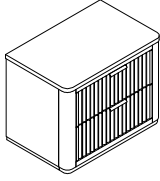
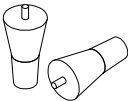




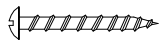
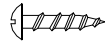
ASSEMBLY INSTRUCTIONS INSTRUCCIONES

B1400-2/B1450-2 NIGHT STAND B1400-2/B1450-2 BURO

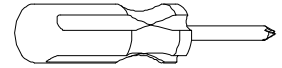
PART LIST:

NO.	DESCRIPTION	OUTLOOK	QTY
1	NIGHTSTAND		1
2	BUN FOOT		4

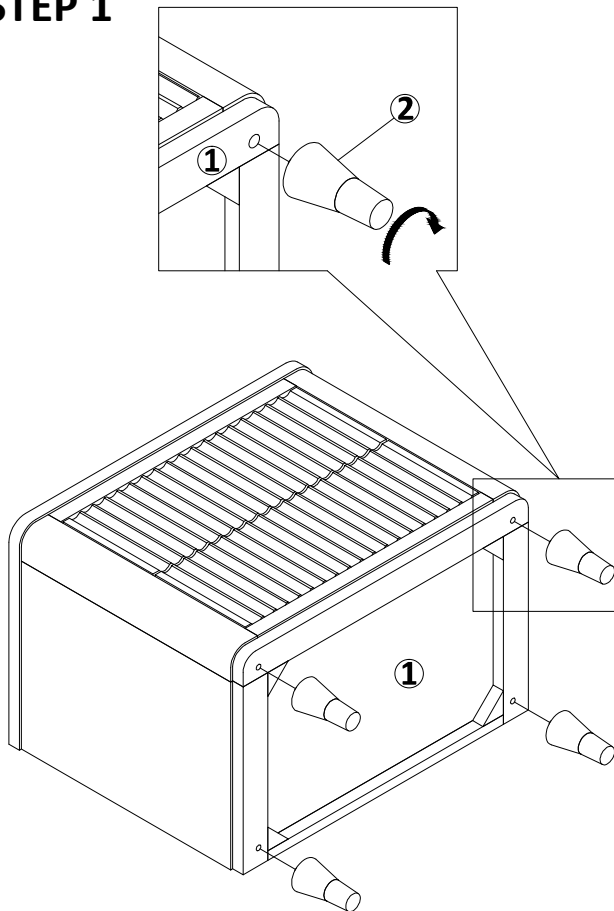
ANTI-TIPPING HARDWARE LIST:

NO.	DESCRIPTION	OUTLOOK	SIZE	QTY
A	BRACKET		1/2"x1"L	2
B	TIE WRAP		#6x11-3/8"L	1
C	LONG SCREW		#8x2"L	1
D	SHORT SCREW		#8x5/8"L	1

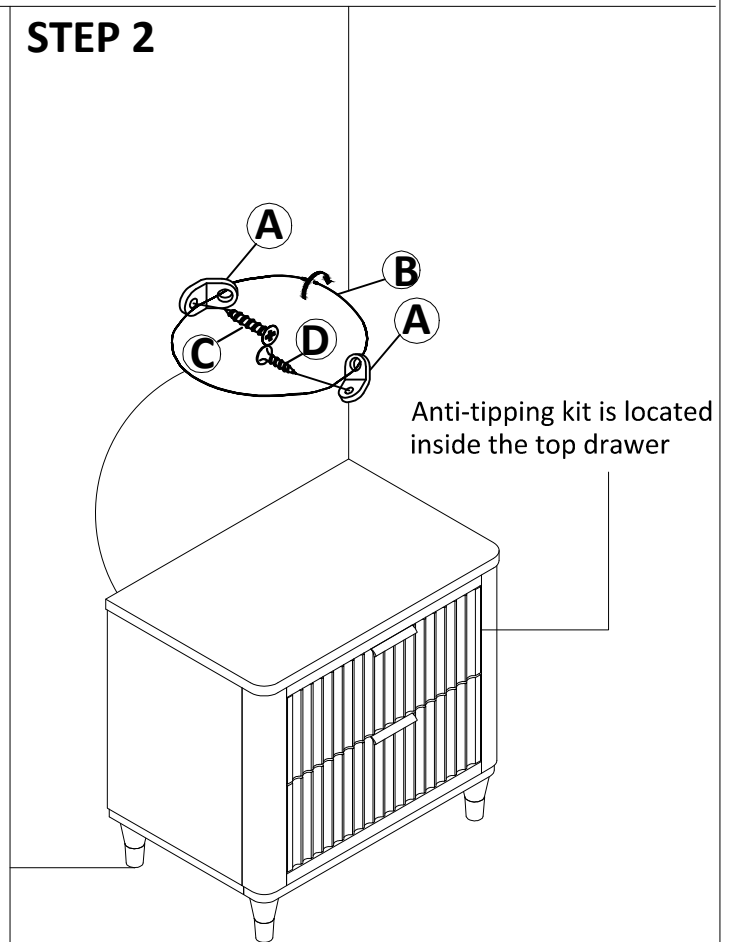
ASSEMBLY TOOL
NOT INCLUDED



STEP 1



STEP 2



NOTE: Periodically check to ensure that all connectors (bolts, screws, etc.) are tight.

NOTA: Verifique periódicamente que todos los conectores (tuercas, tornillos, etc.) esté bien apretados