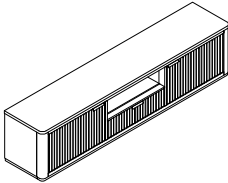



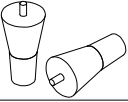

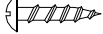

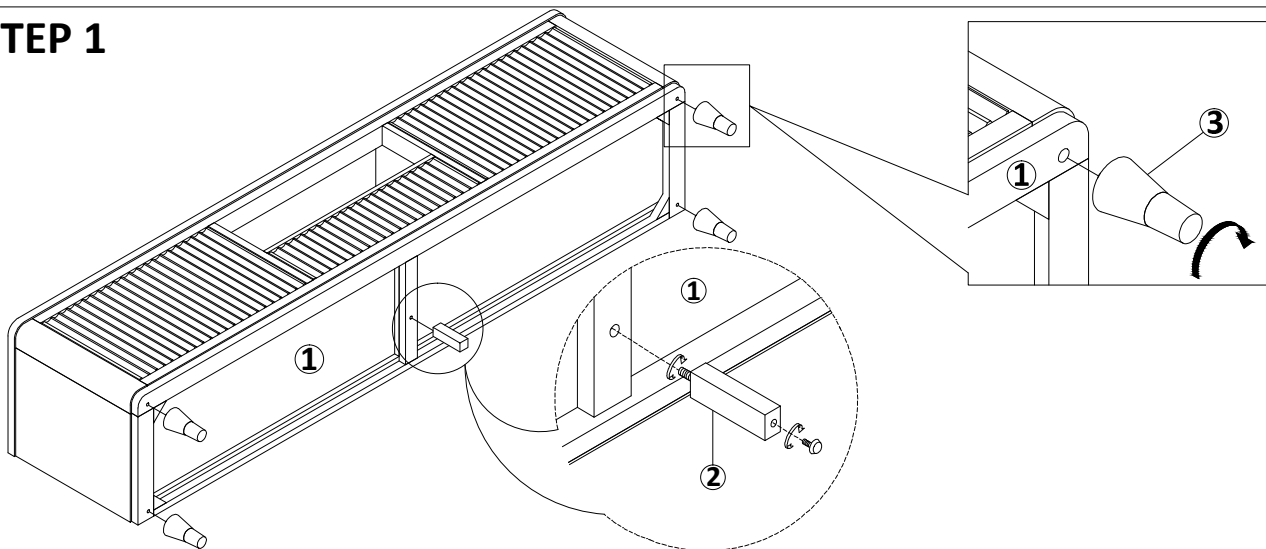


ASSEMBLY INSTRUCTIONS INSTRUCCIONES

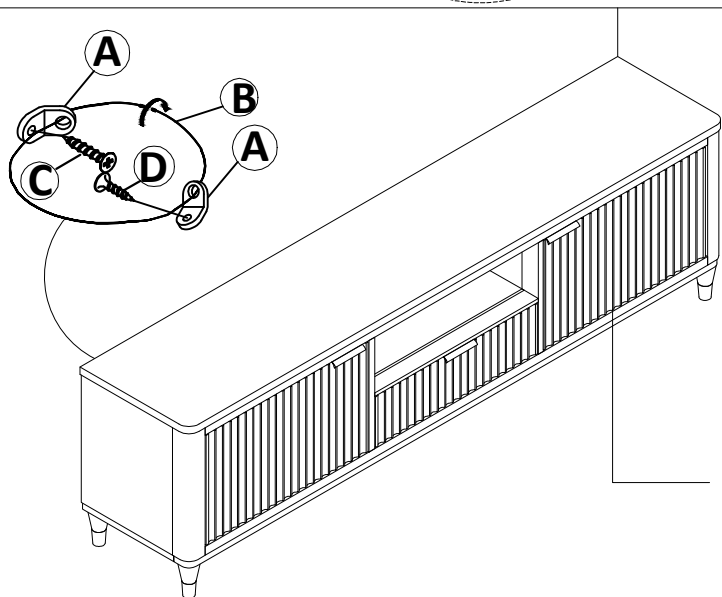
B1400-9/B1450-9 TV STAND B1400-9/B1450-9 CONSOLA PARA EL TV

| PART LIST: | | | | ANTI-TIPPING HARDWARE LIST: | | | | |
|---------------------------------------|-------------|---|-----|-----------------------------|-------------|---|-------------|-----|
| NO. | DESCRIPTION | OUTLOOK | QT. | NO. | DESCRIPTION | OUTLOOK | SIZE | QT. |
| 1 | TV STAND |  | 1 | A | BRACKET |  | 1/2"x1"L | 2 |
| 2 | SUPPORT LEG |  | 1 | B | TIE WRAP |  | #6x11-3/8"L | 1 |
| 3 | BUN FOOT |  | 4 | C | LONG SCREW |  | #8x2"L | 1 |
| | | | | D | SHORT SCREW |  | #8x5/8"L | 1 |
| ASSEMBLY TOOL NOT INCLUDED | | | | | |  | | |

STEP 1



STEP 2



Anti-tipping kit is located inside the top right hand door.

**DO NOT TIGHTEN ALL BOLTS UNTIL COMPLETELY ASSEMBLED.
NO APRETAR LOS TORNILLOS HASTA ARMAR COMPLETAMENTE.**