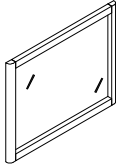



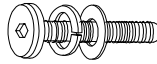


ASSEMBLY INSTRUCTIONS INSTRUCCIONES

B1400-11/B1450-11 DRESSER TOP B1400-11/B1450-11 TOPE DE TOCADOR


PART LIST: BOX OF MIRROR

NO.	DESCRIPTION	OUTLOOK	QTY
A	DRESSER TOP		1
B	DRESSER SUPPORT		2

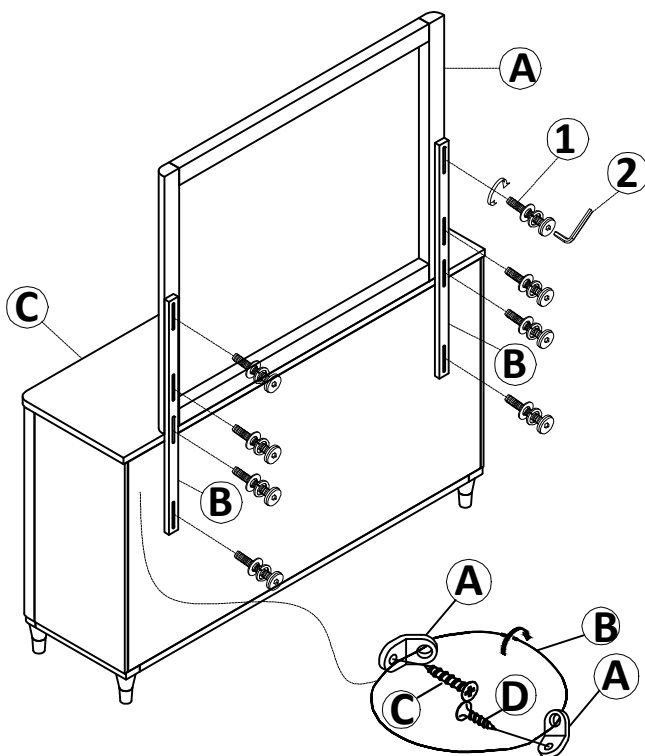
HARDWARE LIST: BOX OF MIRROR

NO.	DESCRIPTION	OUTLOOK	SIZE	QTY
1	BOLT		Ø1/4"-20x1-1/2"L	8
2	ALLEN WRENCH		4MM	1
ASSEMBLY TOOL NOT INCLUDED				

PART LIST: BOX OF DRESSER

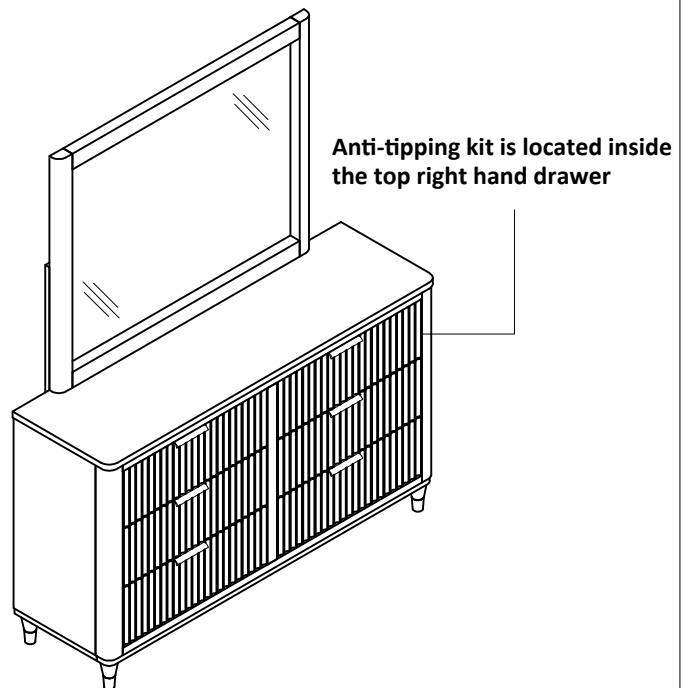
NO.	DESCRIPTION	OUTLOOK	QTY
C	DRESSER		1

STEP 1



Tipping Restraint/
Retenue de basculement

STEP 2



NOTE: Periodically check to ensure that all connectors (bolts, screws, etc.) are tight.

NOTA: Verifique periódicamente que todos los conectores (tuercas, tornillos, etc.) esté bien apretados