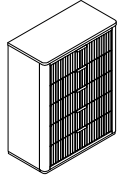
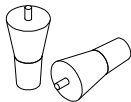




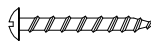
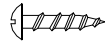
# ASSEMBLY INSTRUCTIONS INSTRUCCIONES

# B1400-4/B1450-4 CHEST B1400-4/B1450-4 CAJONERO

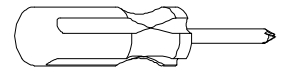
## PART LIST:

NO.	DESCRIPTION	OUTLOOK	QTY
1	CHEST		1
2	BUN FOOT		4

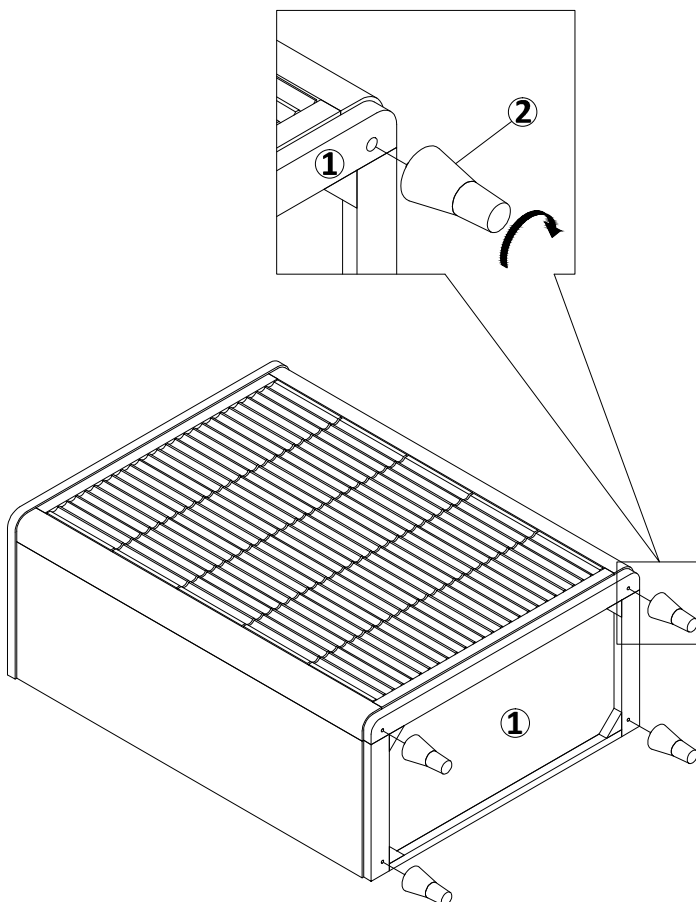
## ANTI-TIPPING HARDWARE LIST:

NO.	DESCRIPTION	OUTLOOK	SIZE	QTY
A	BRACKET		1/2"x1"L	2
B	TIE WRAP		#6x11-3/8"L	1
C	LONG SCREW		#8x2"L	1
D	SHORT SCREW		#8x5/8"L	1

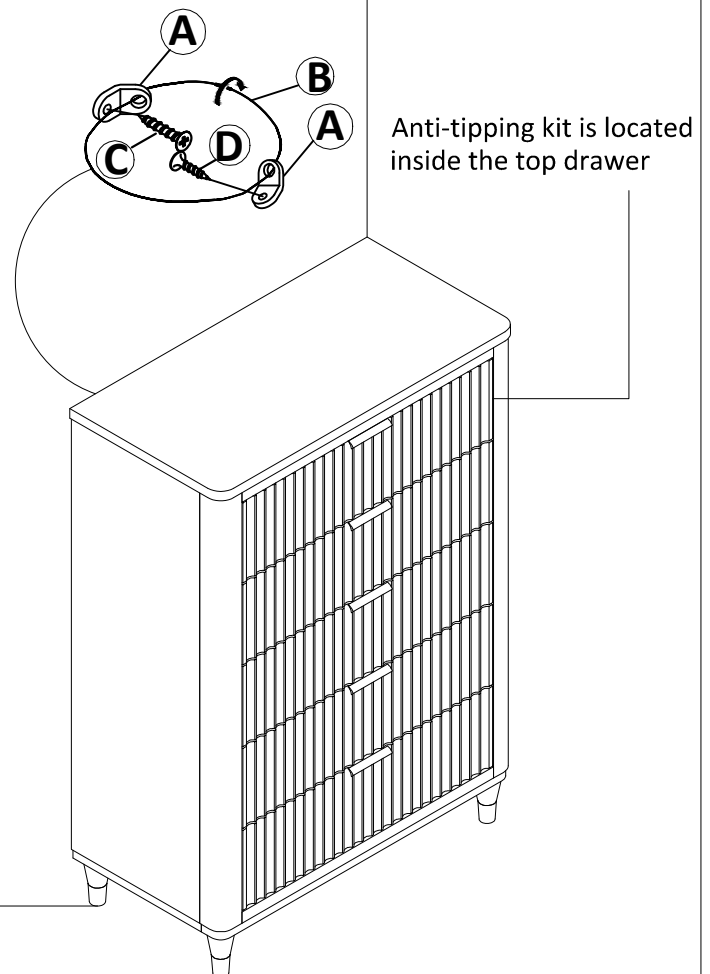
ASSEMBLY TOOL  
NOT INCLUDED



## STEP 1



## STEP 2



**NOTE:** Periodically check to ensure that all connectors (bolts, screws, etc.) are tight.

**NOTA:** Verifique periódicamente que todos los conectores (tuercas, tornillos, etc.) esté bien apretados