




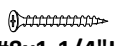

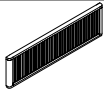






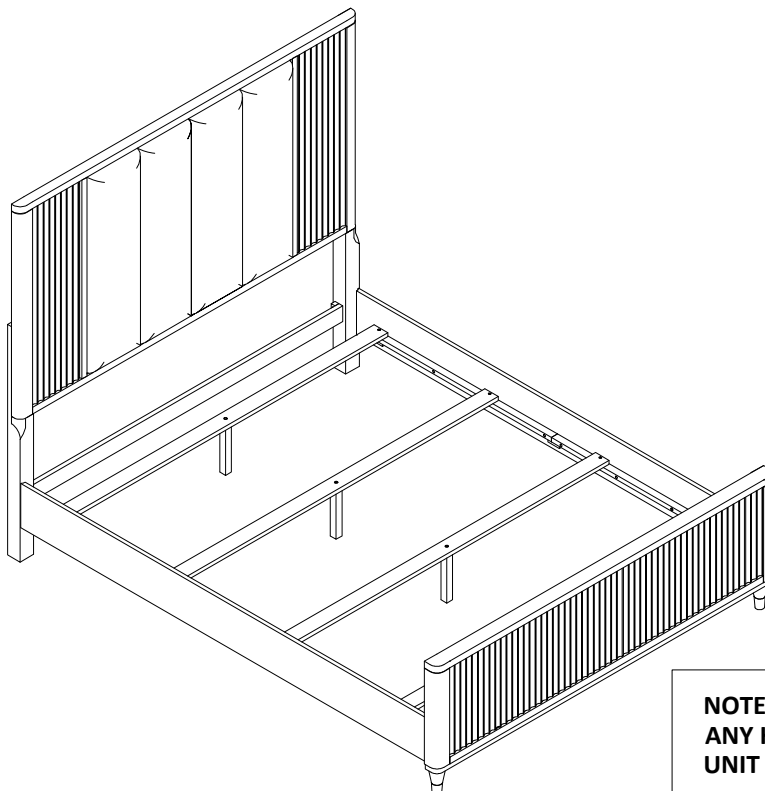
ASSEMBLY INSTRUCTIONS INSTRUCCIONES

B1450-Q-HB/ B1450-Q-FB/ B1450-KQ-RAIL QUEEN BED

(BOX 1) BOX 1 OF HEADBOARD			
NO	DESCRIPTION	OUTLOOK	QTY
1	HEADBOARD		1
2	K/D LEG (L/R)		2
3	STRETCHER		1
(BOX 1) HARDWARE LIST			
NO	DESCRIPTION	OUTLOOK	QTY
A	BOLT	 Ø5/16" -18x2"L	10
B	ALLEN KEY	 5MM	1
C	SCREW	 #8x1-1/4"L	8
ASSEMBLY TOOL NOT INCLUDED			

(BOX 2) BOX 2 OF FOOTBOARD			
NO	DESCRIPTION	OUTLOOK	QTY
4	FOOTBOARD		1
5	BUN FOOT		2
6	SLATS		4
7	SUPPORT LEG		4
(BOX 3) BOX 3 OF SIDE RAIL			
NO	DESCRIPTION	OUTLOOK	QTY
8	SIDE RAIL (R/L)		2

THE HARDWARE IS LOCATED IN THE PACKING ITEMS.



NOTE : DURING ASSEMBLY, DO NOT FULLY TIGHTEN ANY HARDWARE UNTIL THE COMPLETE UNIT HAS BEEN ASSEMBLED.

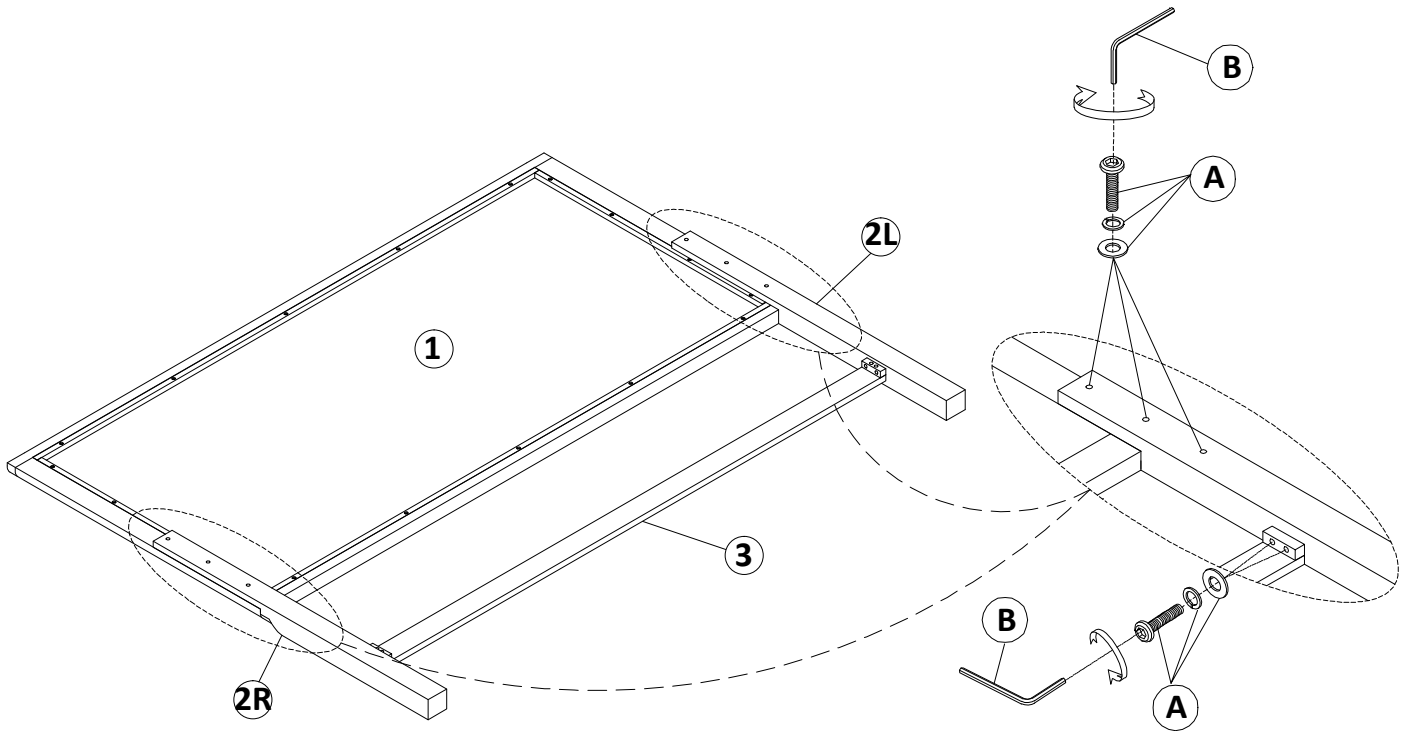
NOTE: Periodically check to ensure that all connectors (bolts, screws, etc.) are tight.

NOTA: Verifique periódicamente que todos los conectores (tuercas, tornillos, etc.) esté bien apretados

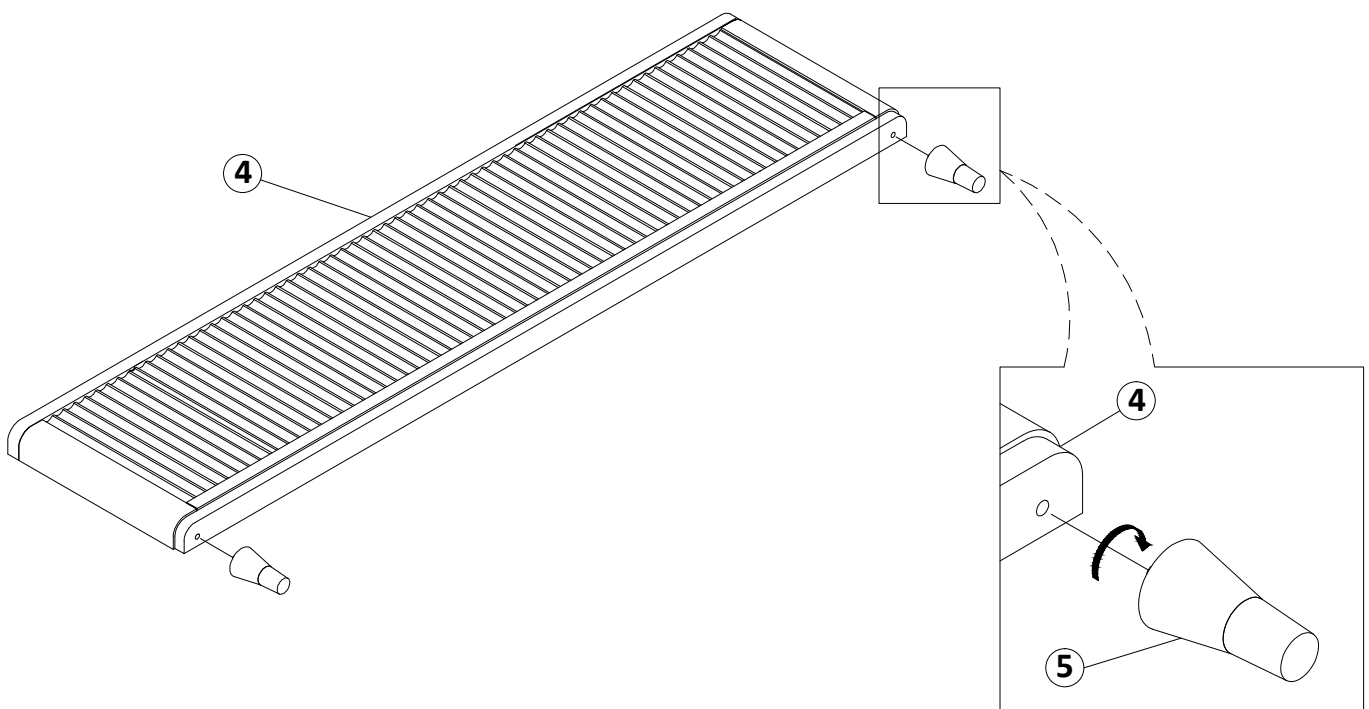
ASSEMBLY INSTRUCTIONS
INSTRUCCIONES

B1450-Q-HB/ B1450-Q-FB/ B1450-KQ-RAIL
QUEEN BED

STEP 1



STEP 2



THE HARDWARE IS LOCATED IN THE PACKING ITEMS.

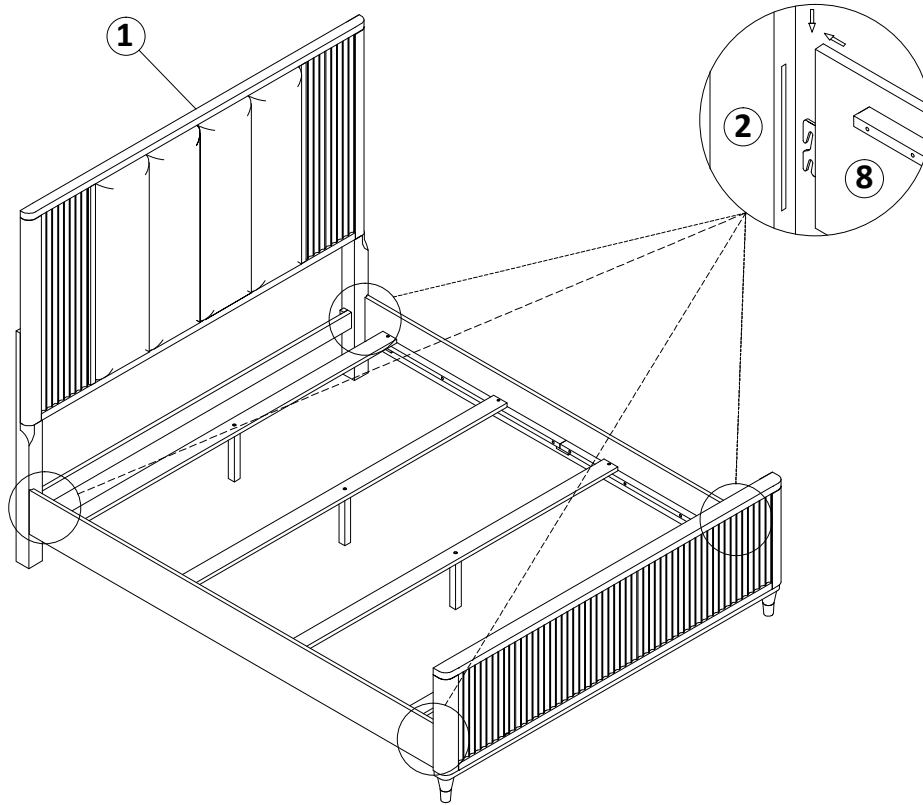
NOTE: Periodically check to ensure that all connectors (bolts, screws, etc.) are tight.

NOTA: Verifique periódicamente que todos los conectores (tuercas, tornillos, etc.) esté bien apretados

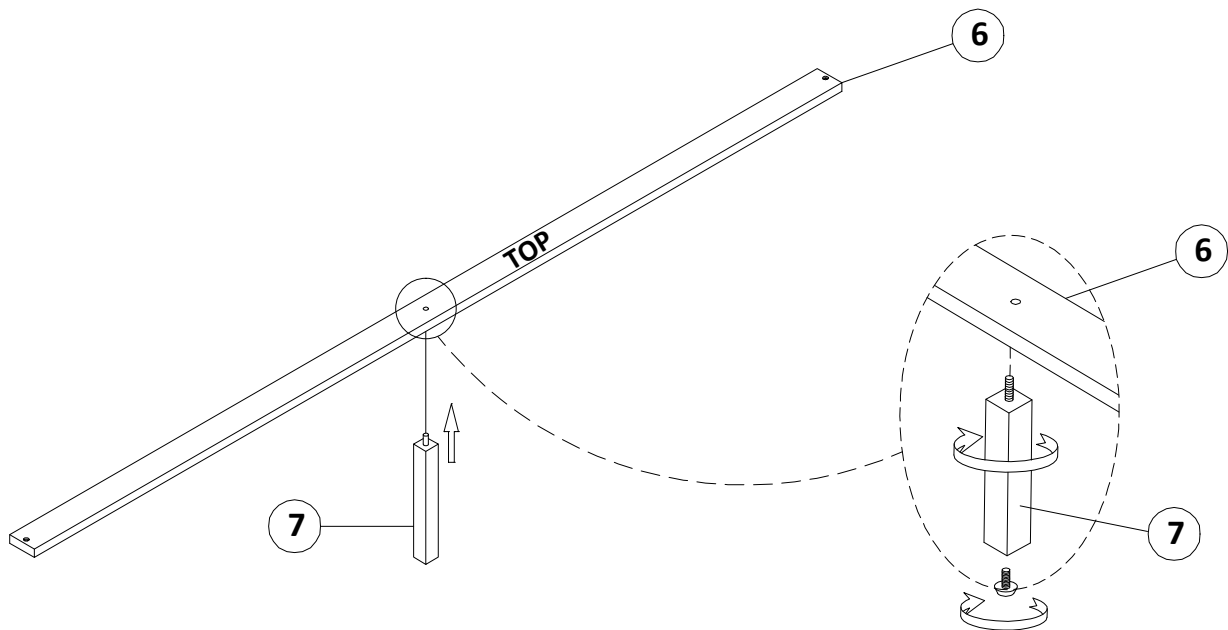
ASSEMBLY INSTRUCTIONS
INSTRUCCIONES

B1450-Q-HB/ B1450-Q-FB/ B1450-KQ-RAIL
QUEEN BED

STEP 3



STEP 4



THE HARDWARE IS LOCATED IN THE PACKING ITEMS.

NOTE: Periodically check to ensure that all connectors (bolts, screws, etc.) are tight.

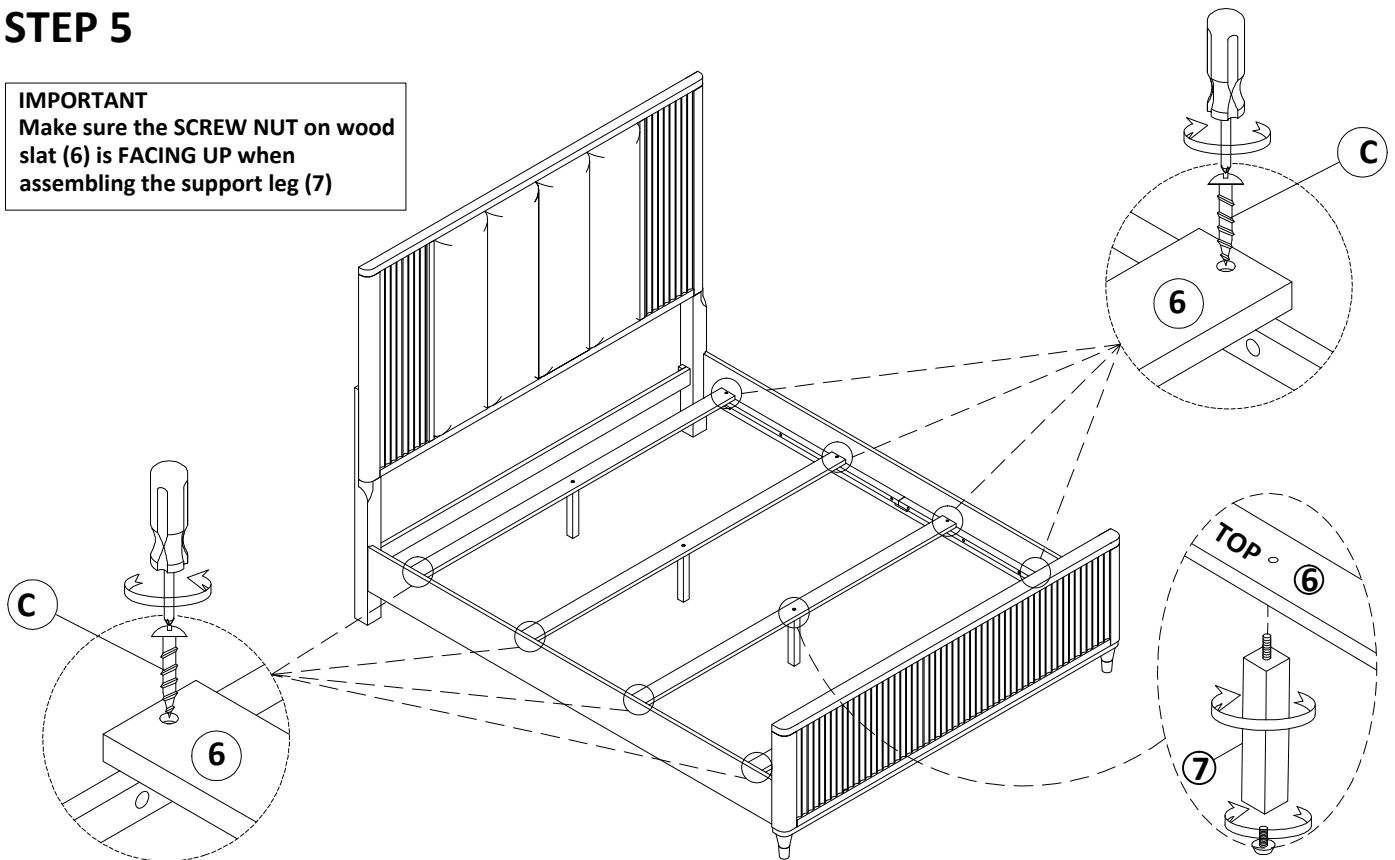
NOTA: Verifique periódicamente que todos los conectores (tuercas, tornillos, etc.) esté bien apretados

ASSEMBLY INSTRUCTIONS INSTRUCCIONES

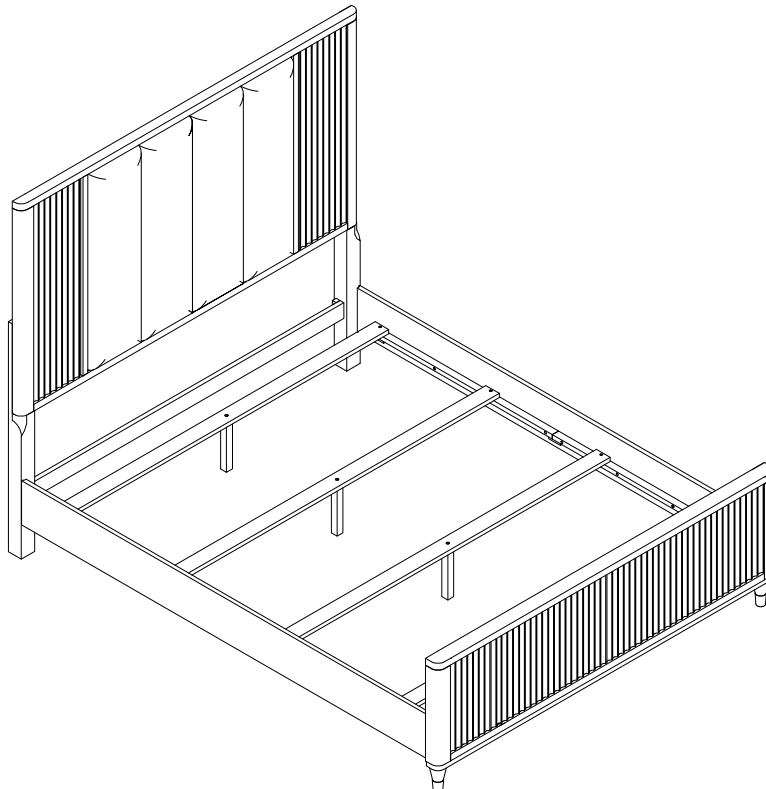
B1450-Q-HB/ B1450-Q-FB/ B1450-KQ-RAIL
QUEEN BED

STEP 5

IMPORTANT
Make sure the **SCREW NUT** on wood
slat (6) is **FACING UP** when
assembling the support leg (7)



STEP 6



Completed

THE HARDWARE IS LOCATED IN THE PACKING ITEMS.

NOTE: Periodically check to ensure that all connectors (bolts, screws, etc.) are tight.

NOTA: Verifique periódicamente que todos los conectores (tuercas, tornillos, etc.) esté bien apretados