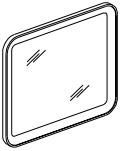

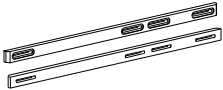


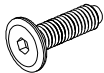


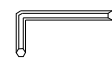
ASSEMBLY INSTRUCTIONS INSTRUCCIONES

B1500-11 DRESSER TOP B1500-11 TOPE DE TOCADOR

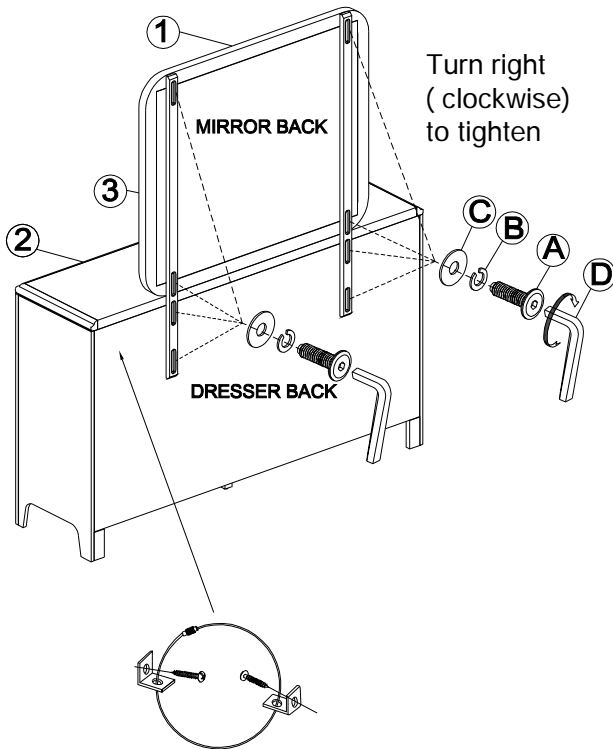
PARTS LIST LISTA DE PARTES

| | | | |
|---|---|--------------|---|
| 1 |  | DRESSER TOP | 1 |
| 2 |  | DRESSER | 1 |
| 3 |  | WOOD SUPPORT | 2 |

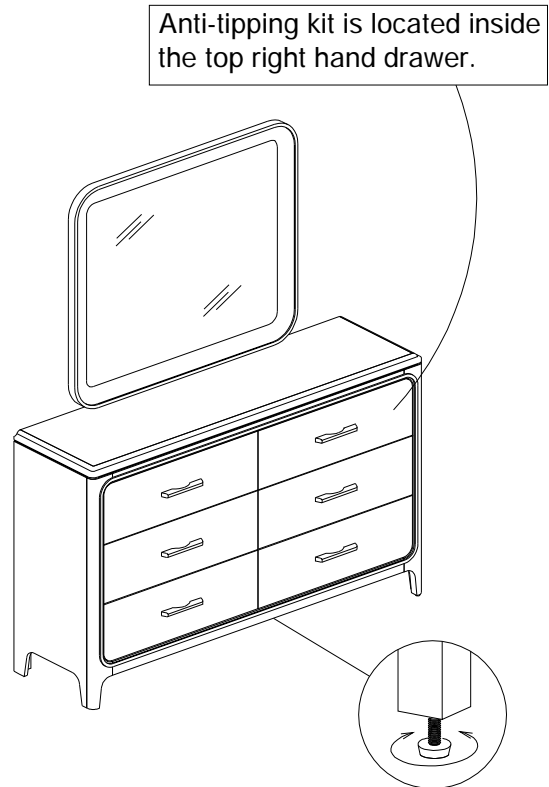
HARDWARE LIST LISTA DE HARDWARE

| | | | |
|---|---|-----------------------------|-----------------|
| A |  | BOLT Ø1/4" x 20 x1-1/4" | 8PCS/ PIEZAS |
| B |  | LOCK WASHER Ø1/4" | 8PCS/ PIEZAS |
| C |  | FLAT WASHER Ø1/4" x 3/4" | 8PCS/ PIEZAS |
| D |  | ALLEN WRENCH 4mm | 1PC/ PIEZA |

STEP 1



STEP 2



THE HARDWARE IS LOCATED
IN THE PACKING ITEMS.

NOTE:
DURING ASSEMBLY DO NOT FULLY
TIGHTEN ANY HARDWARE UNTIL THE
COMPLETE UNIT HAS BEEN ASSEMBLED.