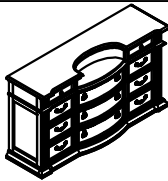
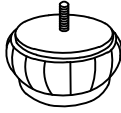
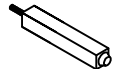


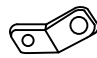



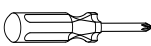
ASSEMBLY INSTRUCTION
INSTRUCCIONES

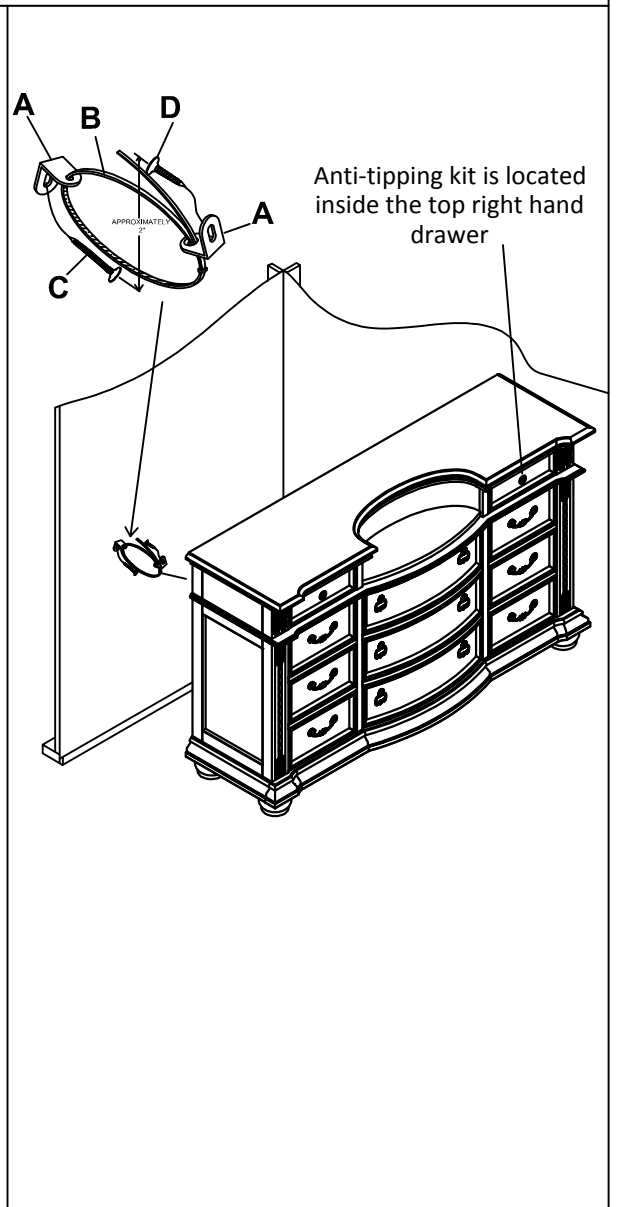
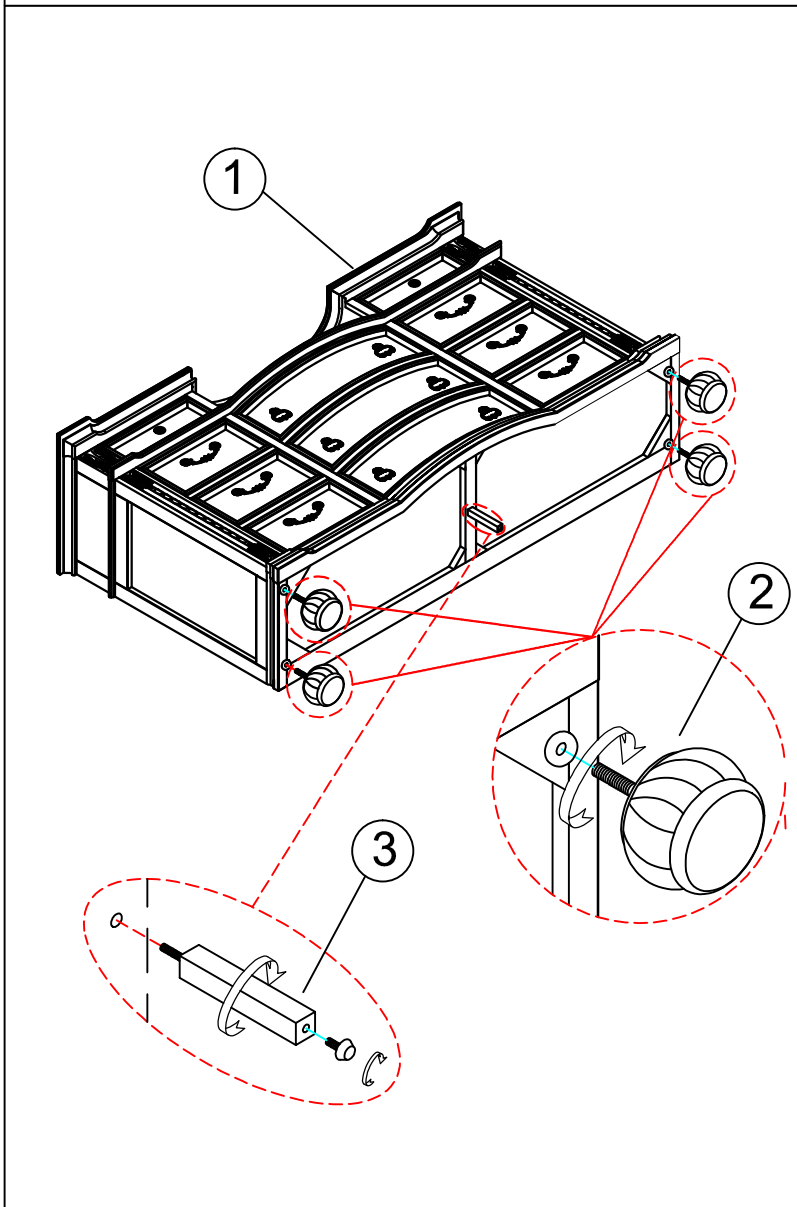
B1600-1/B1610-1 DRESSER
B1600-1/B1610-1 TOCADOR

PARTS LIST
LISTA DE PARTES

ANTI-TIPPING HARDWARE LIST
LISTA DE HARDWARE ANTI-TIPPING

1		DRESSER / TOCADOR	1 PC/ PIEZA
2		KD LEGS / PIERNA DE K/D	4 PCS/ PIEZAS
3		SUPPORT / SOPORTE	1 PC/ PIEZA

A		BRACKET	2 PCS/ PIEZAS
B		TIE WRAP	1 PC/ PIEZA
C		LONG SCREW #8x2" L	1 PC/ PIEZA
D		SHORT SCREW #8x5/8" L	1 PC/ PIEZA
ASSEMBLY TOOL NOT INCLUDED			



NOTE: Periodically check to ensure that all connectors (bolts, screws, etc.) are tight.

NOTA: Verifique periódicamente que todos los conectores (tuercas, tornillos, etc.) estén bien apretados.