



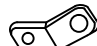



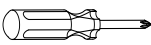
ASSEMBLY INSTRUCTION
INSTRUCCIONES

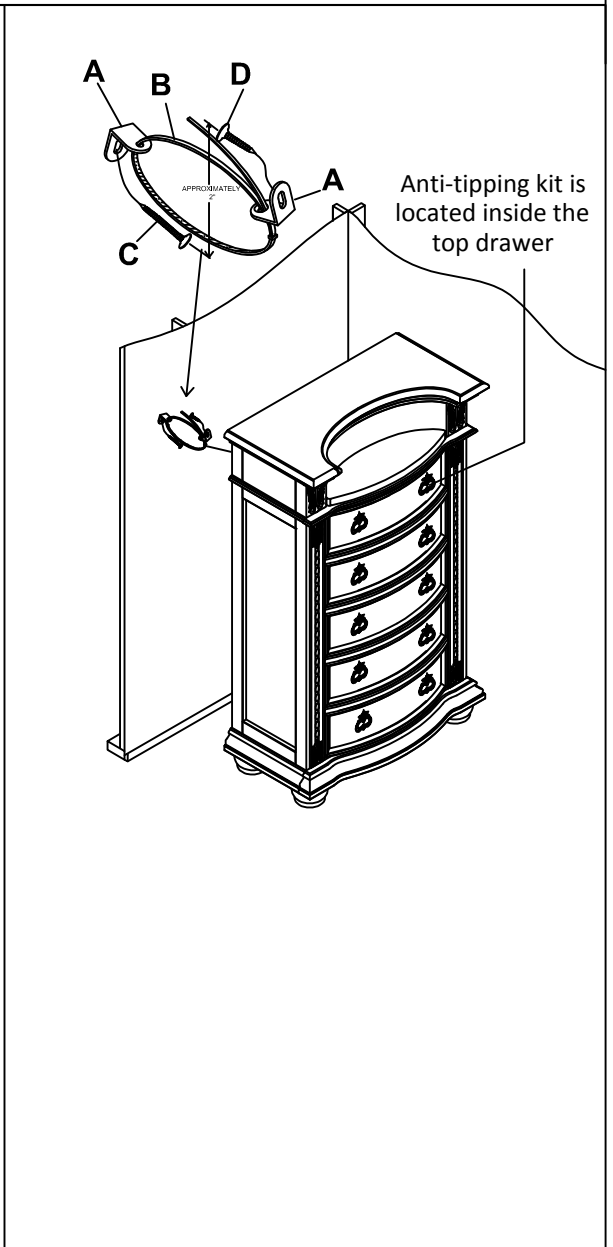
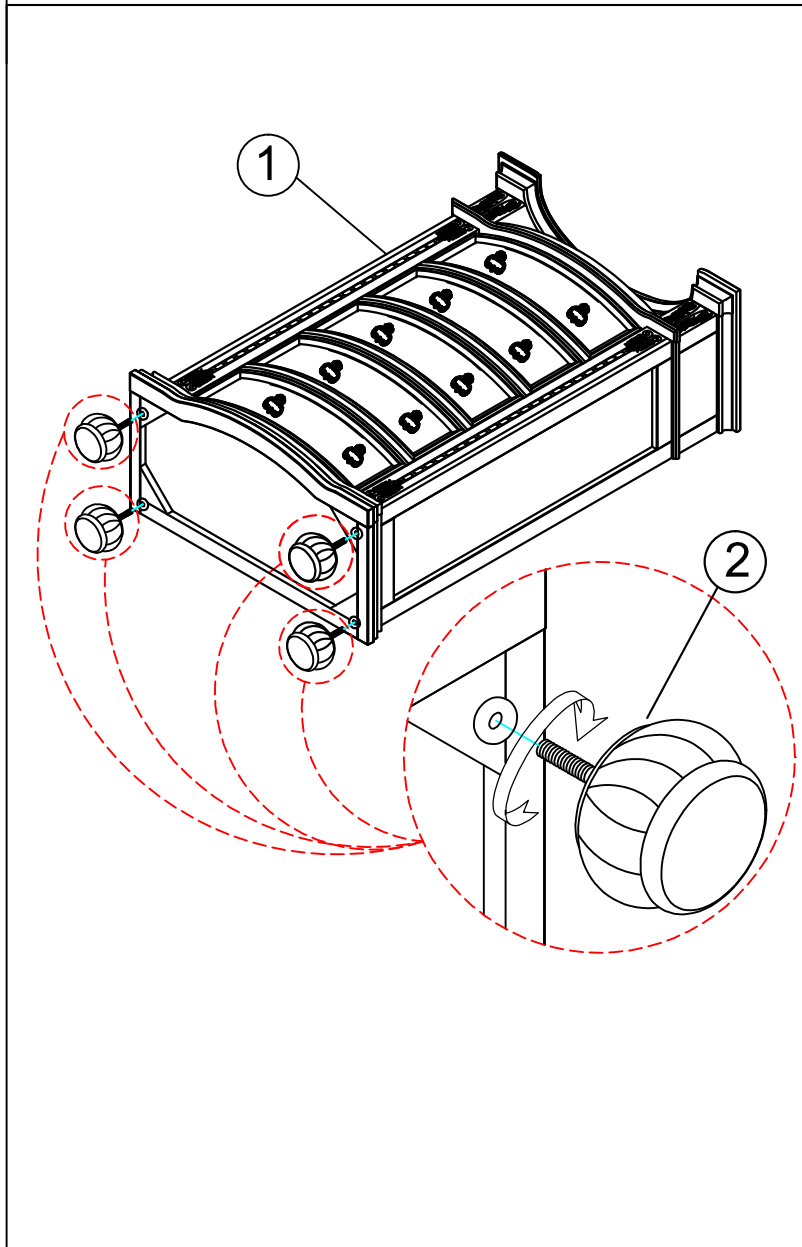
B1600-4/B1610-4 CHEST
B1600-4/B1610-4 CAJONERO

PARTS LIST
LISTA DE PARTES

1		CHEST / CAJONERO	1 PC/ PIEZA
2		KD LEGS / PIERNA DE K/D	4 PCS/ PIEZAS

ANTI-TIPPING HARDWARE LIST
LISTA DE HARDWARE ANTI-TIPPING

A		BRACKET	2 PCS/ PIEZAS
B		TIE WRAP	1 PC/ PIEZA
C		LONG SCREW #8x2" L	1 PC/ PIEZA
D		SHORT SCREW #8x5/8" L	1 PC/ PIEZA
ASSEMBLY TOOL NOT INCLUDED			



NOTE: Periodically check to ensure that all connectors (bolts, screws, etc.) are tight.
 NOTA: Verifique periódicamente que todos los conectores (tuercas, tornillos, etc.) estén bien apretados.