
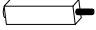


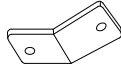



ASSEMBLY INSTRUCTION
INSTRUCCIONES

B1640-1 DRESSER
B1640-1 TOCADOR

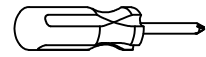
PARTS LIST
LISTA DE PARTES

A		DRESSER / TOCADOR	1PC / PIEZA
B		SUPPORT LEG / SOPORTE	1PC / PIEZA

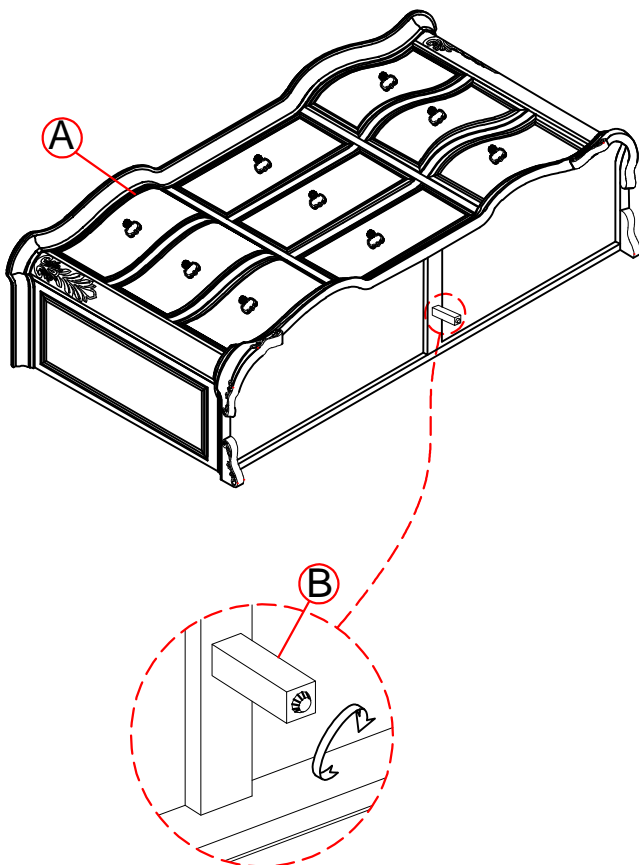
ANTI-TIPPING HARDWARE LIST
LISTA DE HARDWARE ANTI-TIPPING

1		BRACKET	2PCS / PIEZAS
2		STEEL CABLE	1PC / PIEZA
3		LONG SCREW #8x2" L	1PC / PIEZA
4		SHORT SCREW #8x5/8" L	1PC / PIEZA

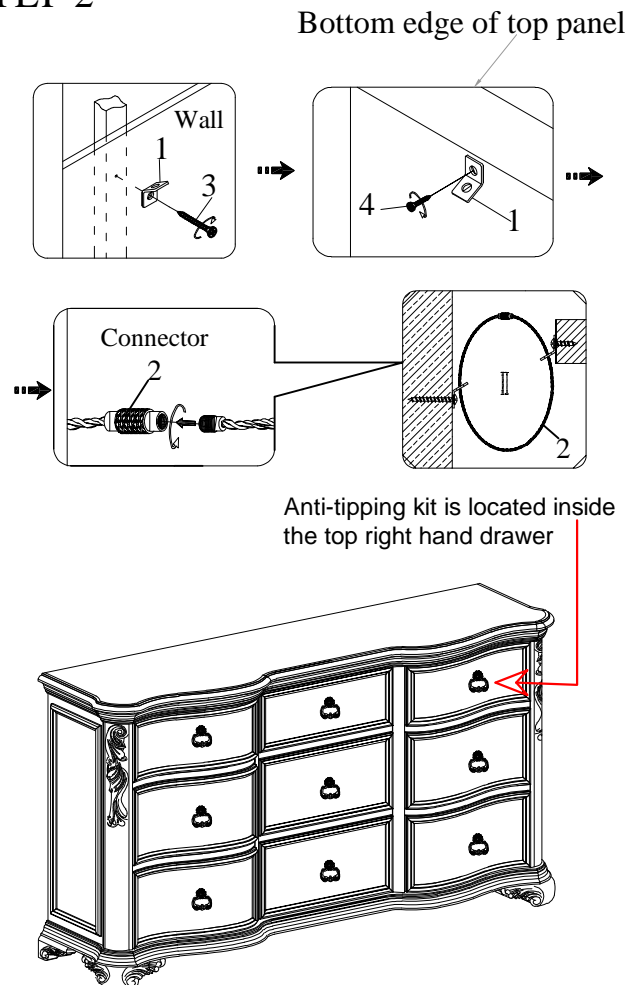
ASSEMBLY TOOL
NOT INCLUDED



STEP 1



STEP 2



NOTE: Periodically check to ensure that all connectors (bolts, screws, etc.) are tight.

NOTA: Verifique periódicamente que todos los conectores (tuercas, tornillos, etc.) estén bien apretados.