
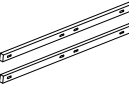




ASSEMBLY INSTRUCTIONS INSTRUCCIONES

B1640-11 DRESSER TOP B1640-11 TOPE DE TOCADOR

BOX OF MIRROR

A		DRESSER TOP / TOPE DE TOCADOR	1PC / PIEZA
B		DRESSER SUPPORT	2PCS / PIEZAS

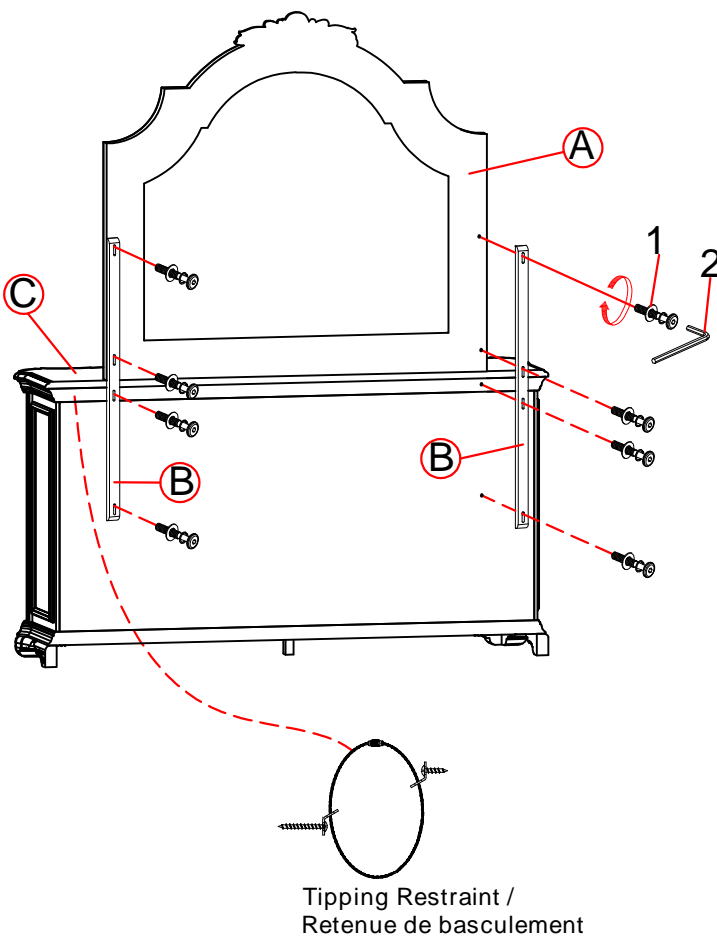
HARDWARE LIST BOX OF MIRROR

1		Ø1/4" - 20 x 1-1/2"	8 PCS / PIEZAS
2		ALLEN WRENCH	1PC / PIEZA

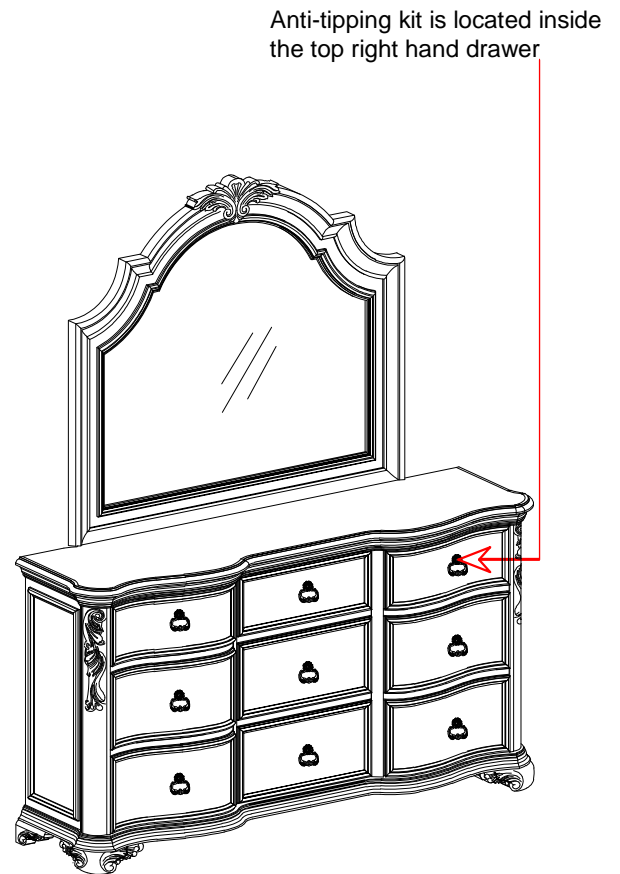
BOX OF DRESSER

C		DRESSER / TOCADOR	1PC / PIEZA
---	---	----------------------	----------------

STEP 1



STEP 2



COMPLETED DRESSER & MIRROR ASSEMBLY

NOTE: Periodically check to ensure that all connectors (bolts, screws, etc.) are tight.

NOTA: Verifique periódicamente que todos los conectores (tuercas, tornillos, etc.) estén bien apretados.