

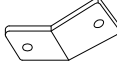




ASSEMBLY INSTRUCTION
INSTRUCCIONES

B1640-2 NIGHTSTNAD
B1640-2 BURO

PARTS LIST
LISTA DE PARTES

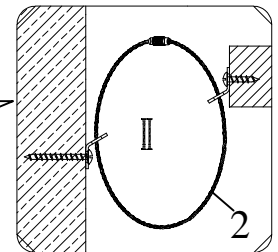
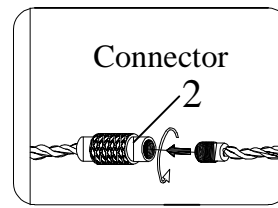
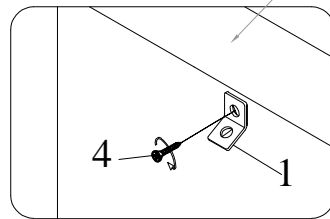
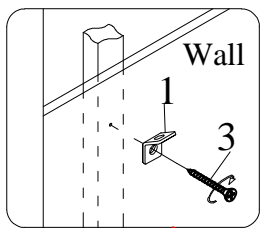
ANTI-TIPPING HARDWARE LIST
LISTA DE HARDWARE ANTI-TIPPING

A		NIGHTSTAND / BURO	1PC / PIEZA
---	---	-------------------	-------------

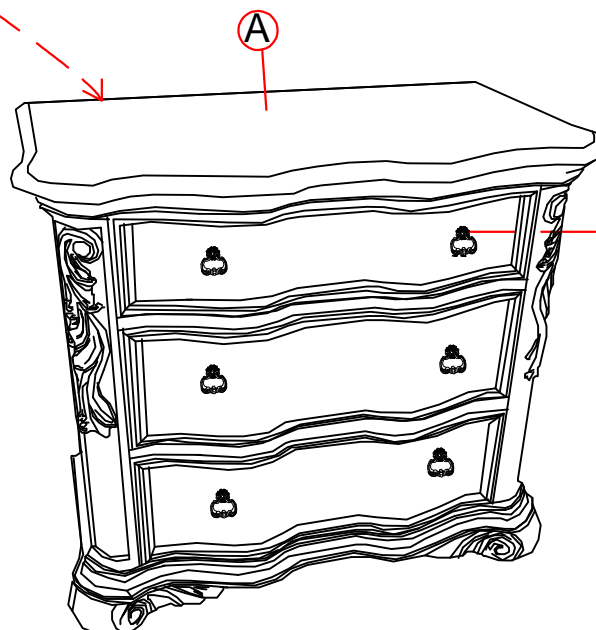
1		BRACKET	2PCS / PIEZAS
2		STEEL CABLE	1PC / PIEZA
3		LONG SCREW #8x2" L	1PC / PIEZA
4		SHORT SCREW #8x5/8" L	1PC / PIEZA
ASSEMBLY TOOL NOT INCLUDED			

STEP 1

Bottom edge of top panel



Anti-tipping kit is located
inside the top drawer



NOTE: Periodically check to ensure that all connectors (bolts, screws, etc.) are tight.

NOTA: Verifique periódicamente que todos los conectores (tuercas, tornillos, etc.) estén bien apretados.