


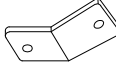



ASSEMBLY INSTRUCTION
INSTRUCCIONES

B1640-4 CHEST
B1640-4 CAJONERO

PARTS LIST
LISTA DE PARTES

ANTI-TIPPING HARDWARE LIST
LISTA DE HARDWARE ANTI-TIPPING

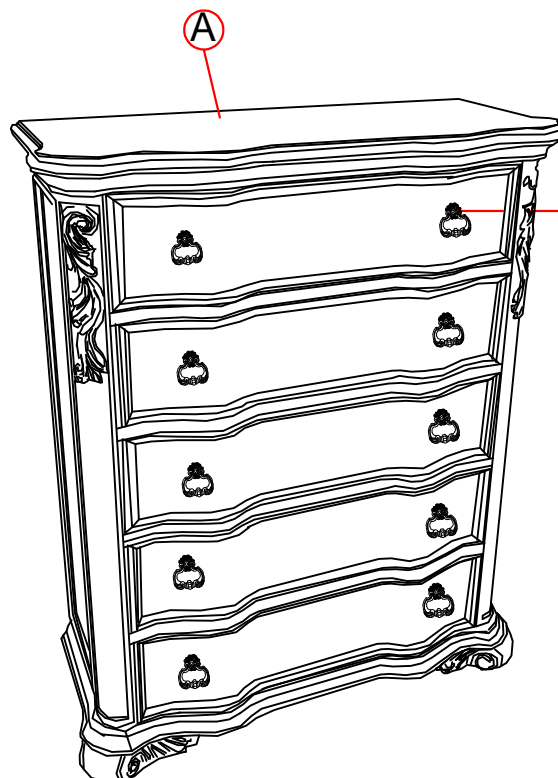
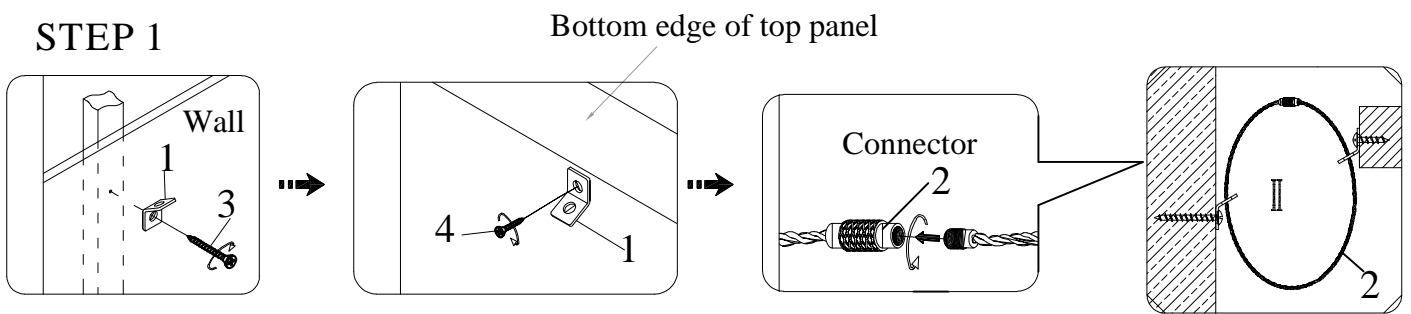
A		CHEST / CAJONERO	1PC / PIEZA
---	---	------------------	-------------

1		BRACKET	2PCS / PIEZAS
2		STEEL CABLE	1PC / PIEZA
3		LONG SCREW #8x2" L	1PC / PIEZA
4		SHORT SCREW #8x5/8" L	1PC / PIEZA

ASSEMBLY TOOL
NOT INCLUDED



STEP 1



Anti-tipping kit is located
inside the top drawer

NOTE: Periodically check to ensure that all connectors (bolts, screws, etc.) are tight.

NOTA: Verifique periódicamente que todos los conectores (tuercas, tornillos, etc.) estén bien apretados.