

# ASSEMBLY INSTRUCTION

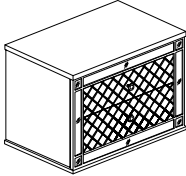

## INSTRUCCIONES

# B1670-2 NIGHTSTAND

## B1670-2 BURO

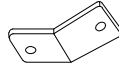


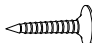
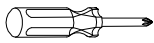
### PARTS LIST

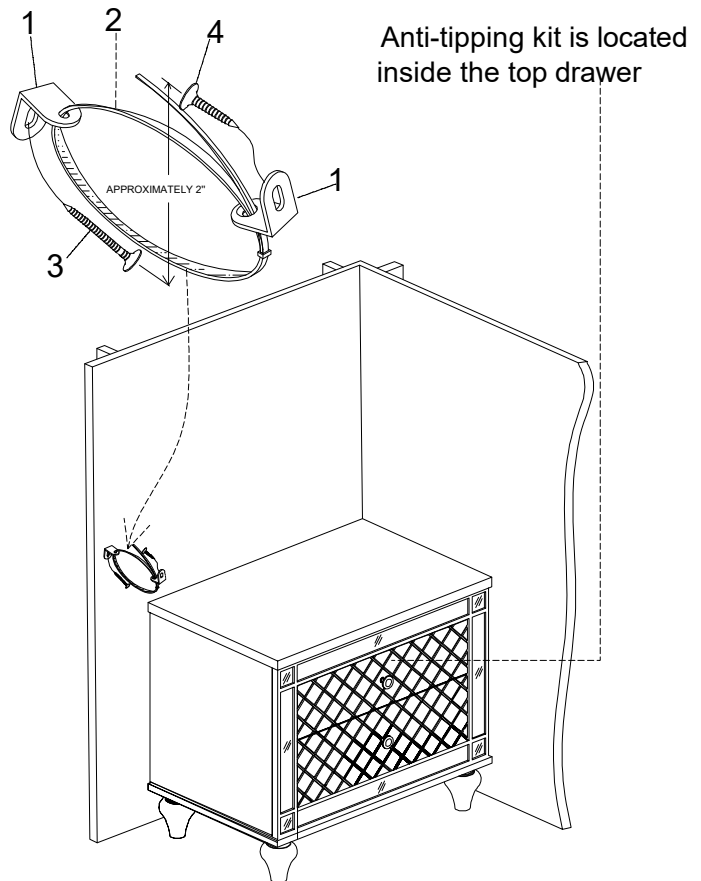
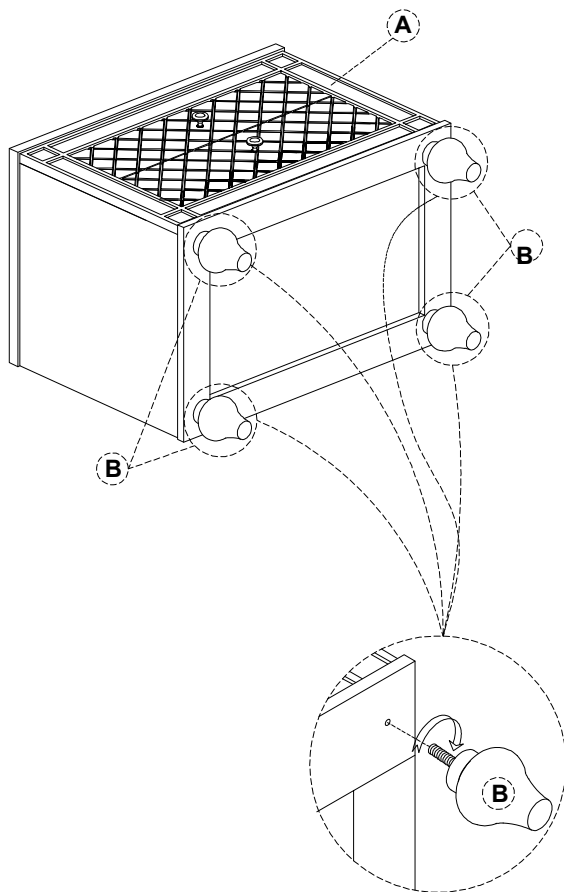
### LISTA DE PARTES

<b>A</b>	NIGHTSTAND / BURO		<b>1PC / PIEZA</b>
<b>B</b>	LEGS / PIERNA		<b>4PCS / PIEZAS</b>

### ANTI-TIPPING HARDWARE LIST

### LISTA DE HARDWARE ANTI-TIPPING

<b>1</b>	BRACKET		<b>2PCS / PIEZAS</b>
<b>2</b>	TIE WRAP		<b>1PC / PIEZA</b>
<b>3</b>	LONG SCREW #8x2" L		<b>1PC / PIEZA</b>
<b>4</b>	SHORT SCREW #8x5/8" L		<b>1PC / PIEZA</b>
ASSEMBLY TOOL NOT INCLUDED			



NOTE: Periodically check to ensure that all connectors (bolts, screws, etc.) are tight.

NOTA: Verifique periódicamente que todos los conectores (tuercas, tornillos, etc.) estén bien apretados.