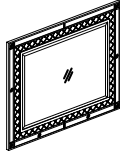
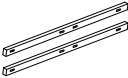




ASSEMBLY INSTRUCTIONS INSTRUCCIONES

B1680-11 DRESSER TOP B1680-11 TOPE DE TOCADOR

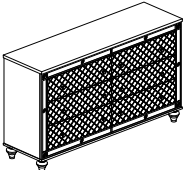
BOX OF MIRROR

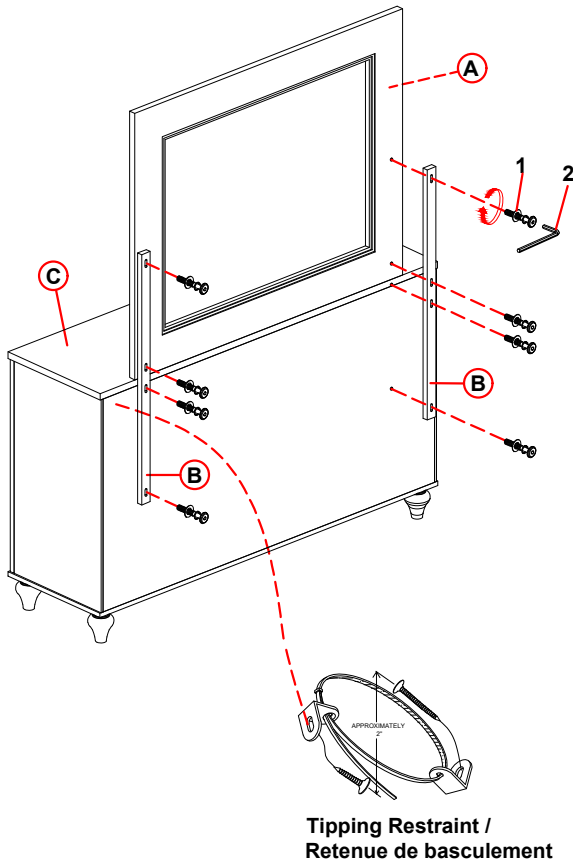
| | | | |
|---|----------------------------------|---|------------------|
| A | DRESSER TOP / TOPE DE TOCADOR |  | 1PC / PIEZA |
| B | DRESSER SUPPORT |  | 2PCS / PIEZAS |

HARDWARE LIST BOX OF MIRROR

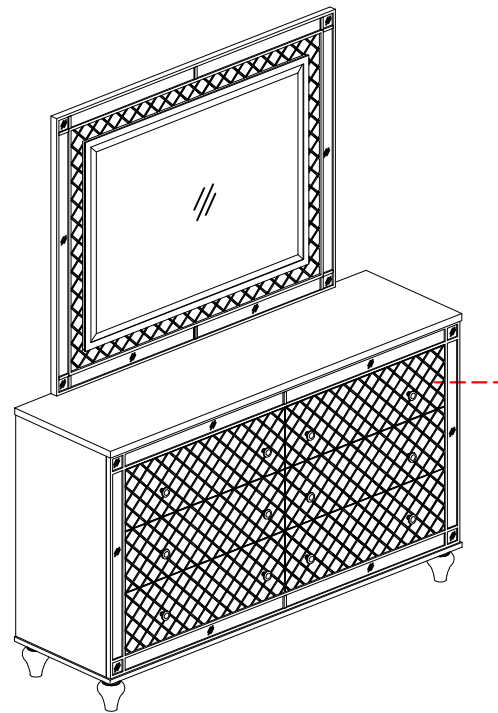
| | | | |
|---|----------------------------|---|-------------------|
| 1 | BLOT (Ø1/4" - 20 x 1-1/2") |  | 8 PCS / PIEZAS |
| 2 | ALLEN WRENCH |  | 1PC / PIEZA |

BOX OF DRESSER

| | | | |
|---|----------------------|---|----------------|
| C | DRESSER / TOCADOR |  | 1PC / PIEZA |
|---|----------------------|---|----------------|



Anti-tipping kit is located inside
the top right hand drawer



"THE HARDWARE IS LOCATED IN THE PACKING ITEMS"

COMPLETED DRESSER & MIRROR ASSEMBLY

NOTE: Periodically check to ensure that all connectors (bolts, screws, etc.) are tight.

NOTA: Verifique periódicamente que todos los conectores (tuercas, tornillos, etc.) estén bien apretados.