
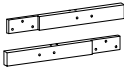
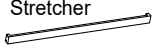


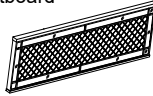



# ASSEMBLY INSTRUCTIONS

## B1680-Q-HB/ B1680-Q-FB/ B1680-KQ-RAIL QUEEN BED


(BOX 1)  
BOX OF HEADBOARD

NO	ITEM	QTY
A	Headboard 	1PC
B	K/D Legs (L&R) 	2PCS
C	Stretcher 	1PC




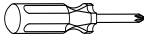
(BOX 2)  
BOX OF FOOTBOARD

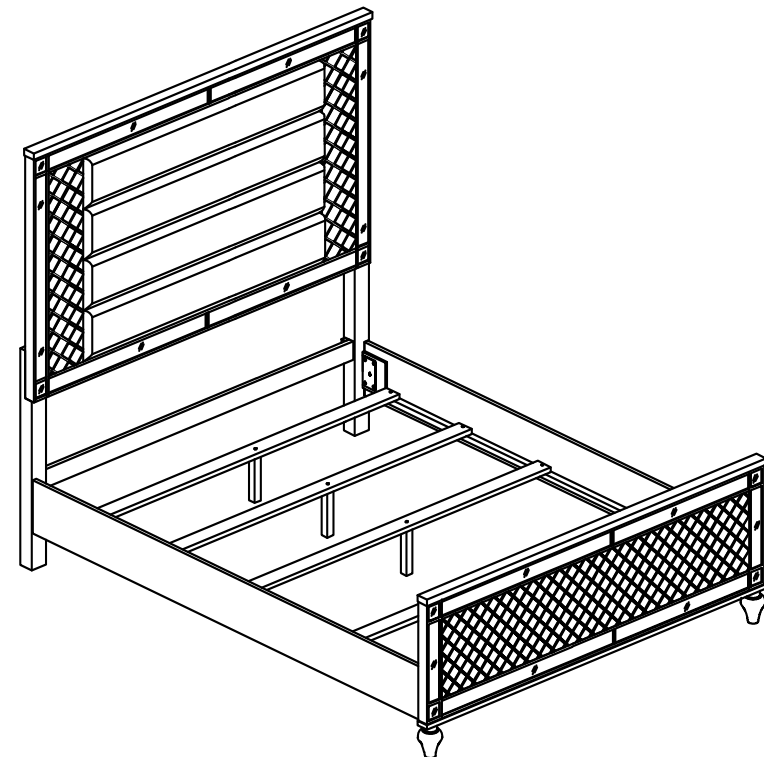
NO	ITEM	QTY
D	Footboard 	1PC
E	Legs 	2PCS
F	Slats 	4PCS
G	Support legs 	4PCS

(BOX 3)

NO	ITEM	QTY
H		2PCS

(BOX 1)  
HARDWARE LIST

NO	ITEM	QTY
1	Ø5/16"-18 x 2" L 	10 SET
2	4mm 	1 PC
3	1-3/16" 	8 PCS
ASSEMBLY TOOL NOT INCLUDED		



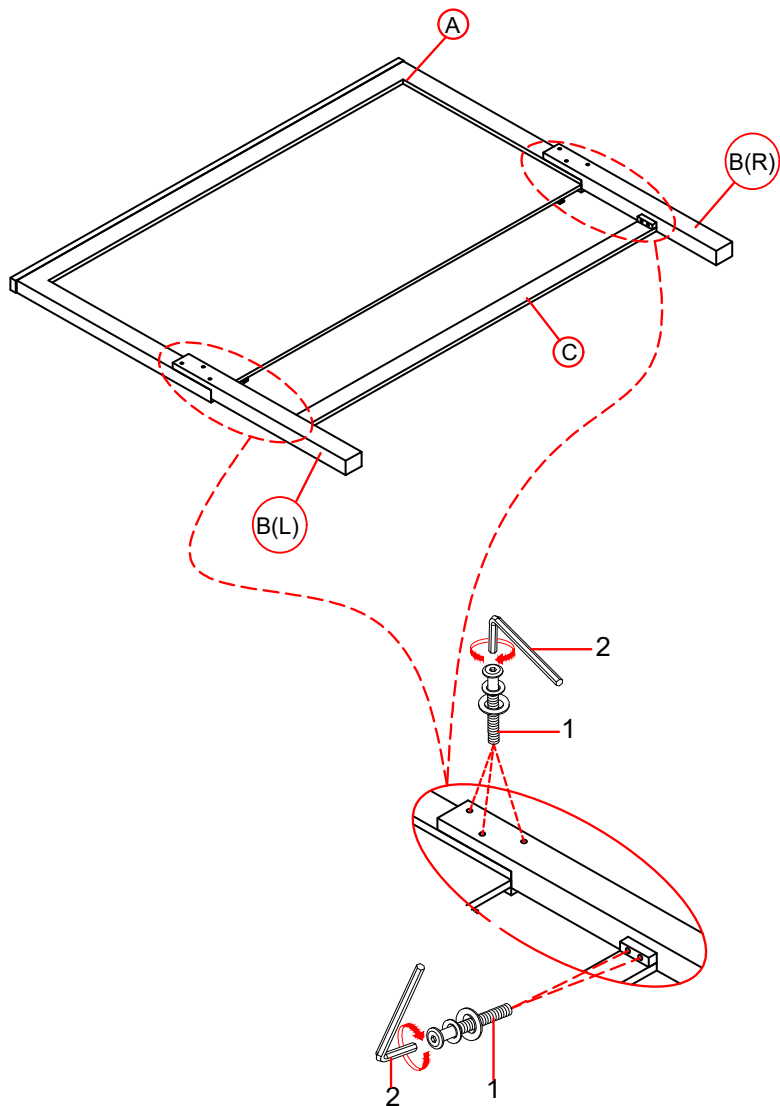
NOTE : DURING ASSEMBLY, DO NOT FULLY TIGHTEN ANY HARDWARE UNTIL THE COMPLETE UNIT HAS BEEN ASSEMBLED.

THE HARDWARE IS LOCATED IN THE PACKING ITEMS

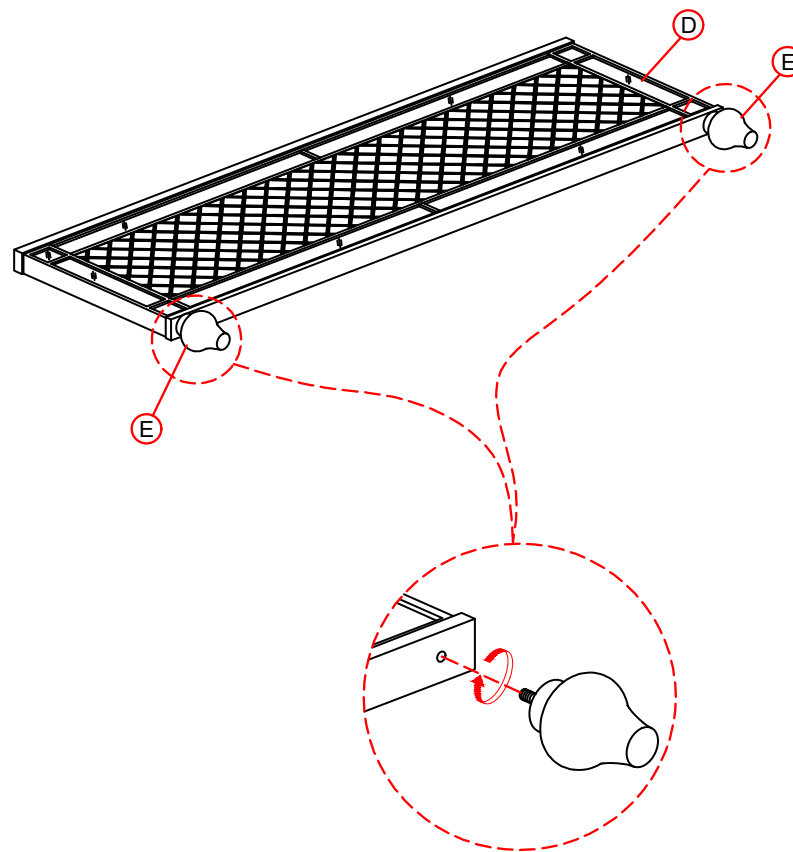
NOTE: Periodically check to ensure that all connectors (bolts, screws, etc.) are tight.

NOTA: Verifique periódicamente que todos los conectores (tuercas, tornillos, etc.) estén bien apretados.

STEP 1



STEP 2

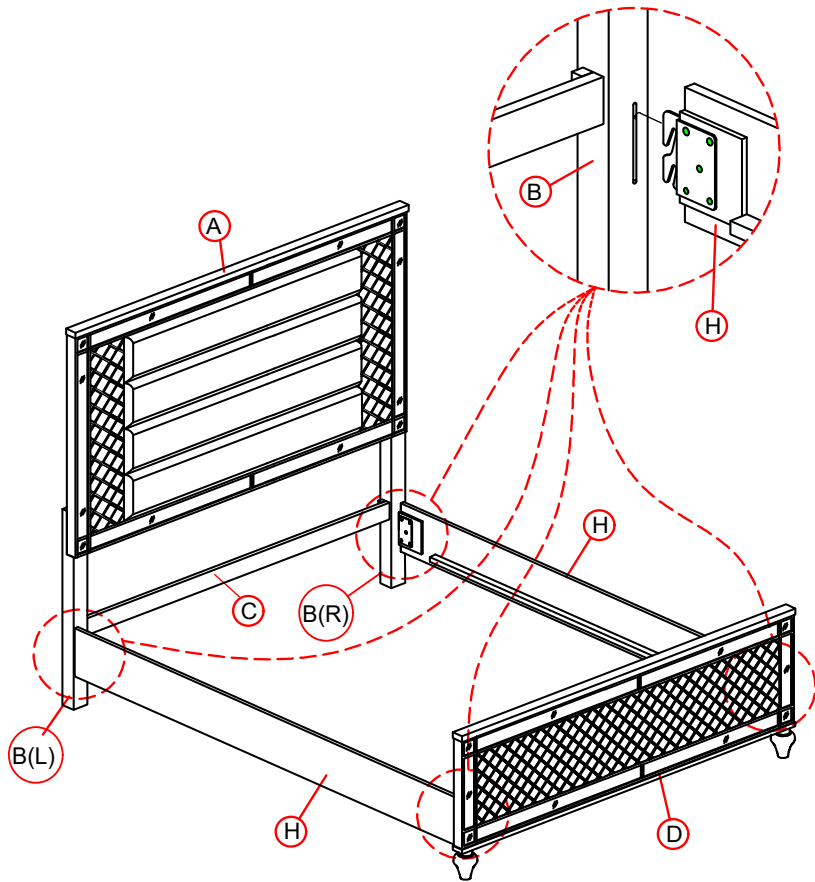


"THE HARDWARE IS LOCATED IN THE PACKING ITEMS"

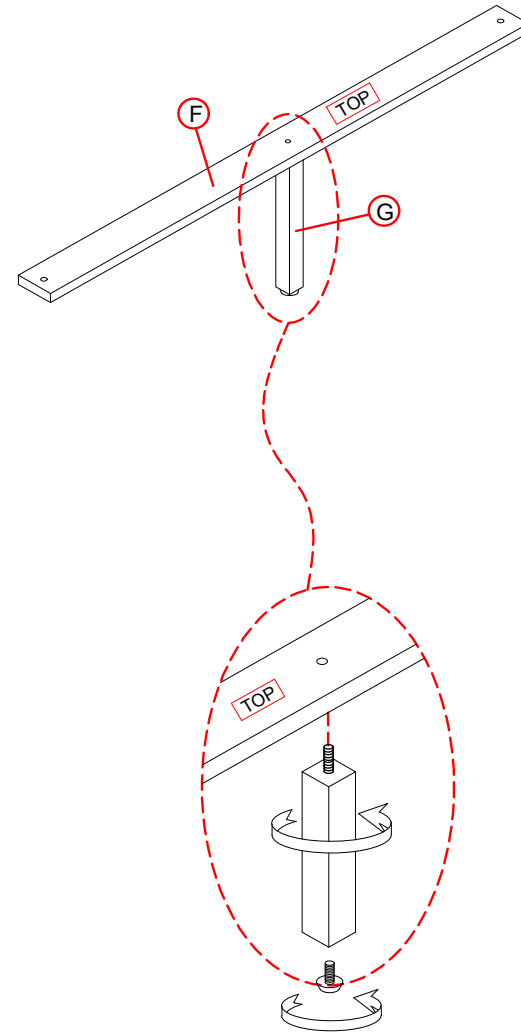
NOTE: Periodically check to ensure that all connectors (bolts, screws, etc.) are tight.

NOTA: Verifique periódicamente que todos los conectores (tuercas, tornillos, etc.) estén bien apretados.

STEP 3



STEP 4

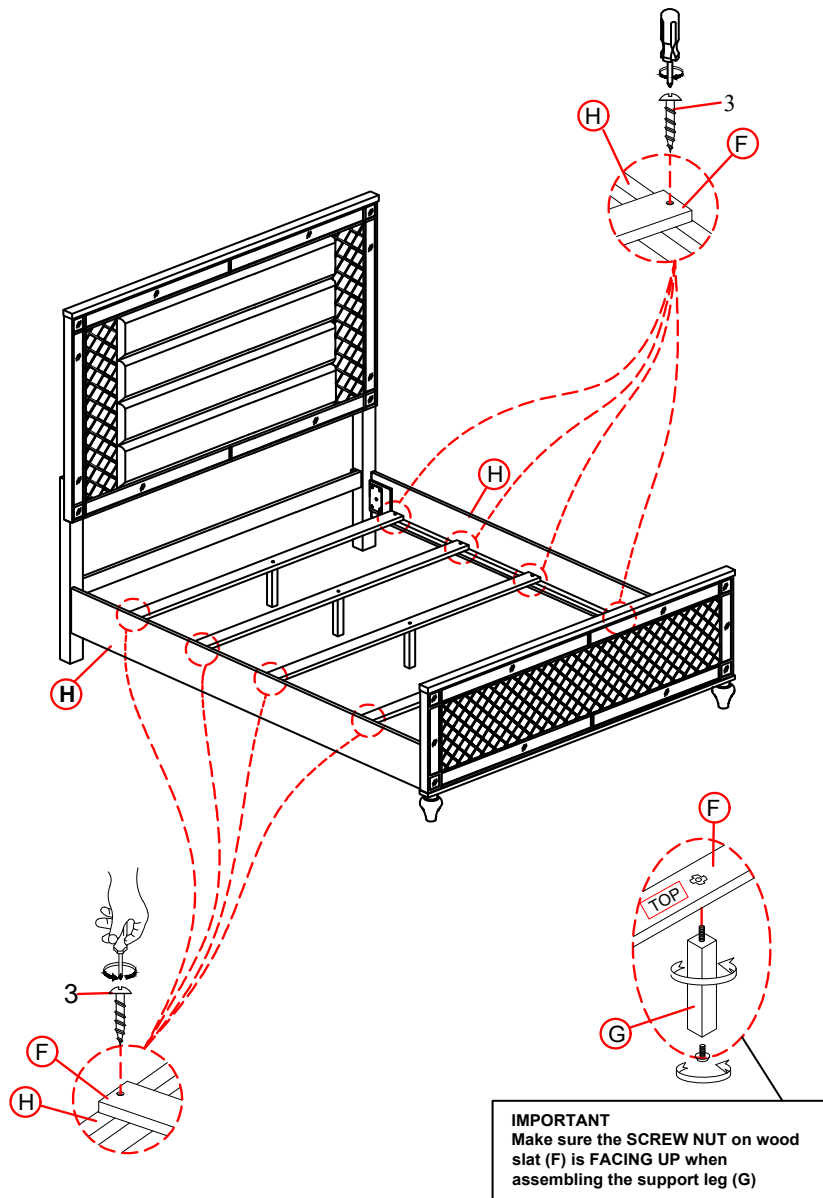


"THE HARDWARE IS LOCATED IN THE PACKING ITEMS"

NOTE: Periodically check to ensure that all connectors (bolts, screws, etc.) are tight.

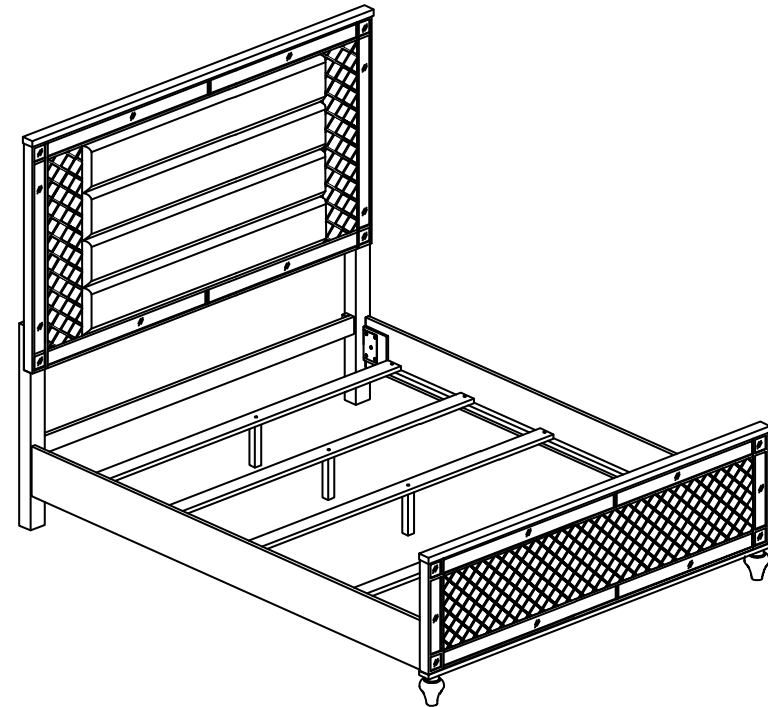
NOTA: Verifique periódicamente que todos los conectores (tuercas, tornillos, etc.) estén bien apretados.

STEP 5



"THE HARDWARE IS LOCATED IN THE PACKING ITEMS"

STEP 6  
COMPLETED



NOTE: Periodically check to ensure that all connectors (bolts, screws, etc.) are tight.

NOTA: Verifique periódicamente que todos los conectores (tuercas, tornillos, etc.) estén bien apretados.