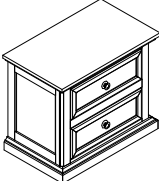








ASSEMBLY INSTRUCTION INSTRUCCIONES

B1810-2/B1820-2 NIGHT STAND B1810-2/B1820-2 BURO

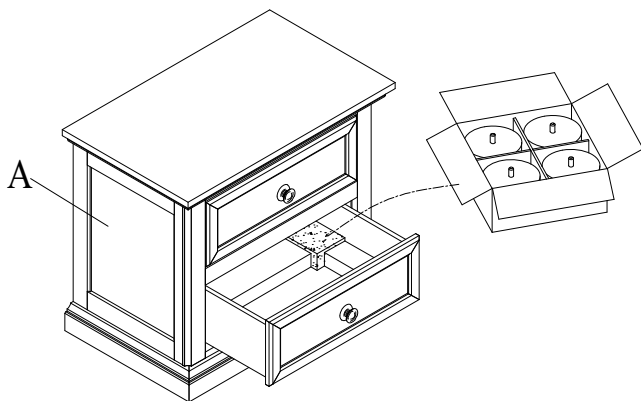
PARTS LIST LISTA DE PARTES

A	NIGHT STAND/ BURO		1PC/ PIEZA
B	BUN FOOT/ PATA		4PCS/ PIEZAS

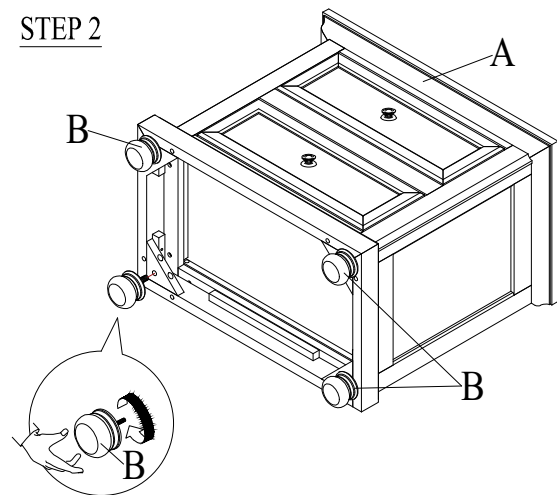
ANTI-TIPPING HARDWARE LIST LISTA DE HARDWARE ANTI-TIPPING

1	BRACKET		2PCS/ PIEZAS
2	TIE WRAP		1PC/ PIEZA
3	LONG SCREW #8x2" L		1PC/ PIEZA
4	SHORT SCREW #8x5/8" L		1PC/ PIEZA
ASSEMBLY TOOL NOT INCLUDED			

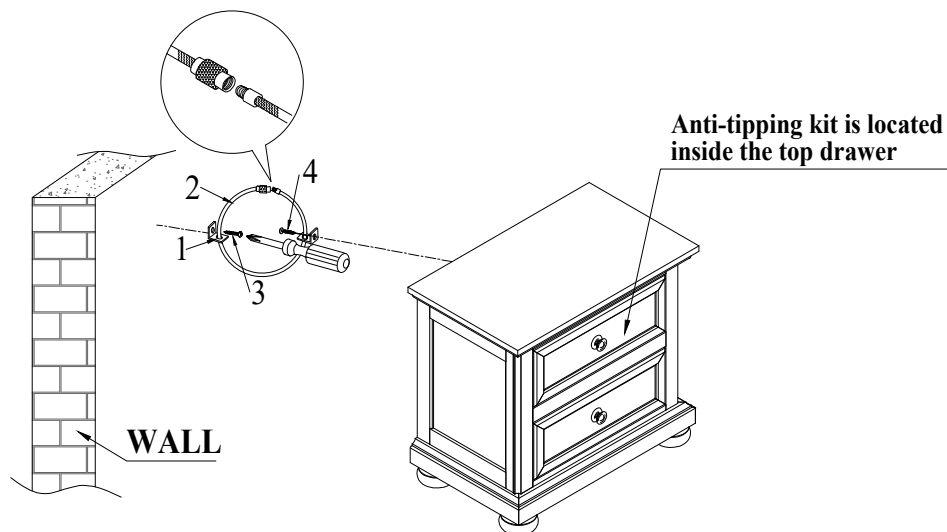
STEP 1



STEP 2



STEP 3



NOTE: Periodically check to ensure that all connectors (bolts, screws, etc.) are tight.
 NOTA: Verifique periódicamente que todos los conectores (tuercas, tornillos, etc.) estén bien apretados.