
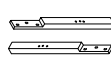





ASSEMBLY INSTRUCTION INSTRUCCIONES

B1900-Q-HB/ B1900-Q-FB/ B1900-KQ-RAIL QUEEN BED

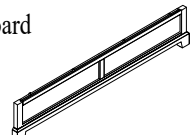
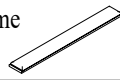


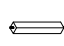
(BOX 1)
BOX OF HEADBOARD

Code	Parts	Qty
A	Headboard 	1pc/ PIEZA
B	Headboard Leg (L&R) 	2pcs/ PIEZAS
C	Headboard Stretcher 	1pc/ PIEZA





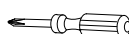
(BOX 1)
HARDWARE LIST

Code	Hardware	Qty
1	BOLT Ø5/16" - 18 x 1-3/4"L 	8pcs/ PIEZAS
2	1/4" ALLEN WRENCH 	1pc/ PIEZA

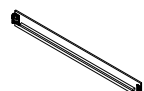
(BOX 2)
BOX OF FOOTBOARD

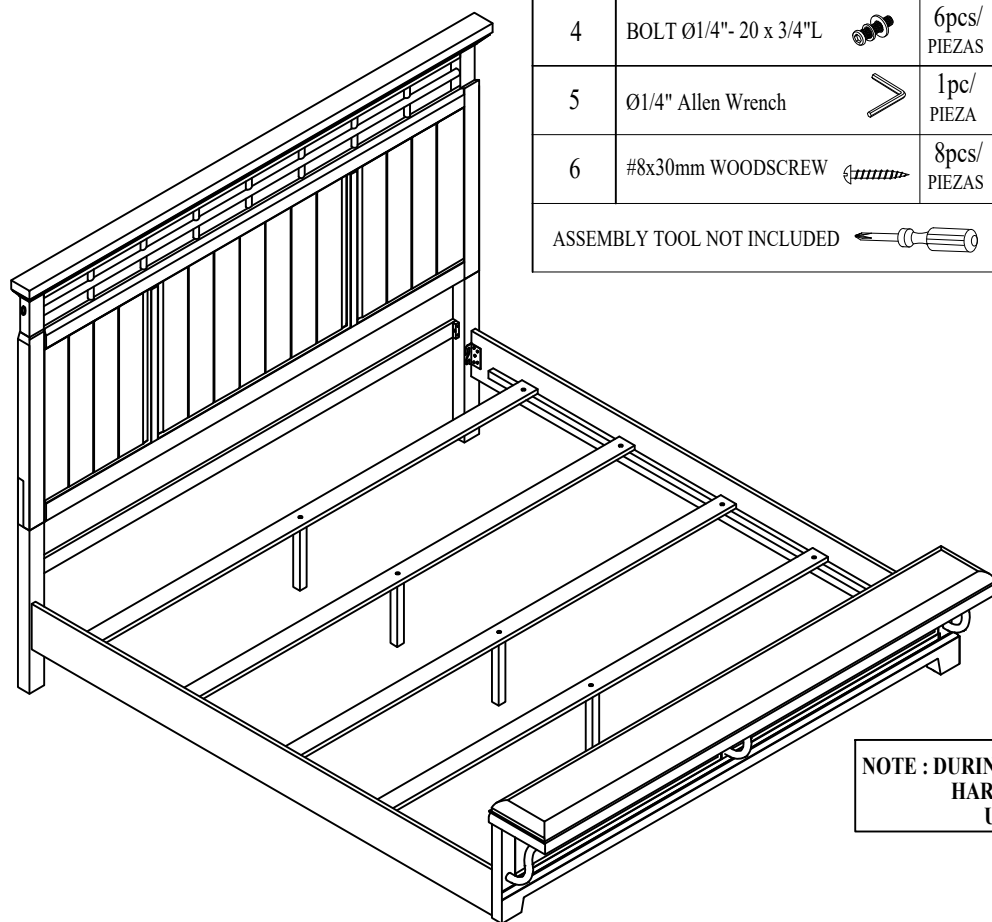
Code	Parts	Qty
D	Footboard 	1pc/ PIEZA
E	Footboard frame with cushion 	1pc/ PIEZA
F	DECORATIVE IRON 	3pcs/ PIEZAS
G	Slat 	4pcs/ PIEZAS
H	Support Leg 	4 pcs/ PIEZAS

(BOX 2)
HARDWARE LIST

Code	Hardware	Qty
3	BOLT Ø1/4" - 20 x 1-1/2"L 	8pcs/ PIEZAS
4	BOLT Ø1/4" - 20 x 3/4"L 	6pcs/ PIEZAS
5	Ø1/4" Allen Wrench 	1pc/ PIEZA
6	#8x30mm WOODSCREW 	8pcs/ PIEZAS
ASSEMBLY TOOL NOT INCLUDED 		

(BOX 3)
BOX OF SIDE RAIL

Code	Parts	Qty
I	Side Rail 	2pcs/ PIEZAS



NOTE : DURING ASSEMBLY, DO NOT FULLY TIGHTEN ANY
HARDWARE UNTIL THE COMPLETE
UNIT HAS BEEN ASSEMBLED.

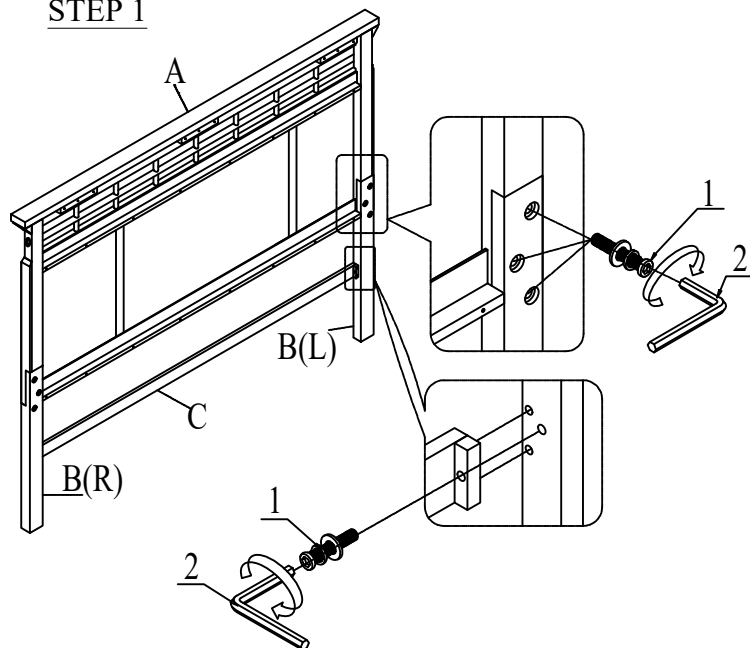
THE HARDWARE IS LOCATED IN THE PACKING ITEMS

NOTE: Periodically check to ensure that all connectors (bolts, screws, etc.) are tight.
NOTA: Verifique periódicamente que todos los conectores (tuercas, tornillos, etc.) estén bien apretados.

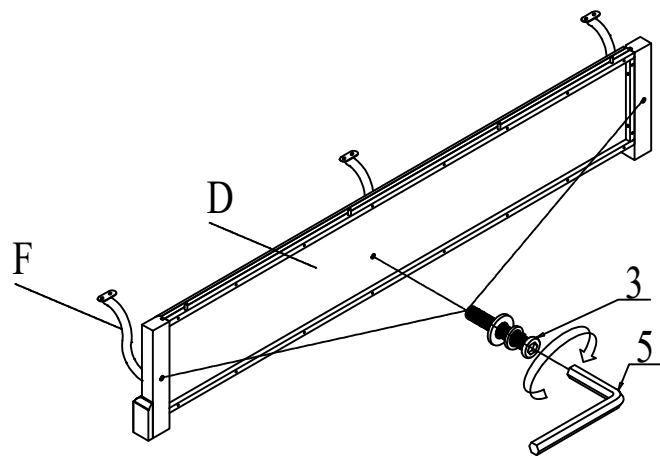
ASSEMBLY INSTRUCTION
INSTRUCCIONES

B1900-Q-HB/ B1900-Q-FB/ B1900-KQ-RAIL
QUEEN BED

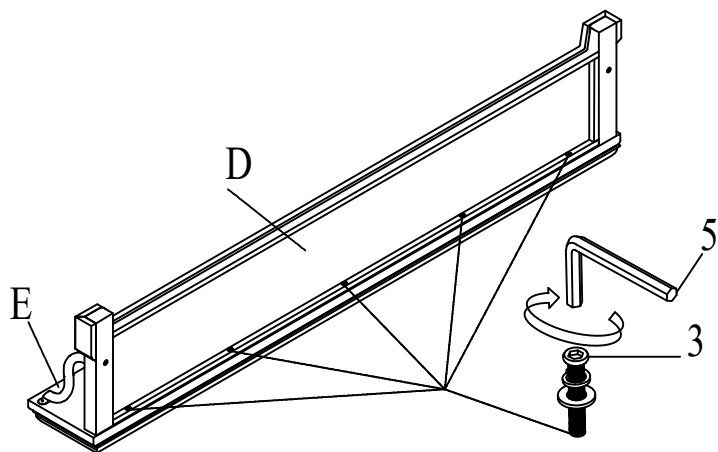
STEP 1



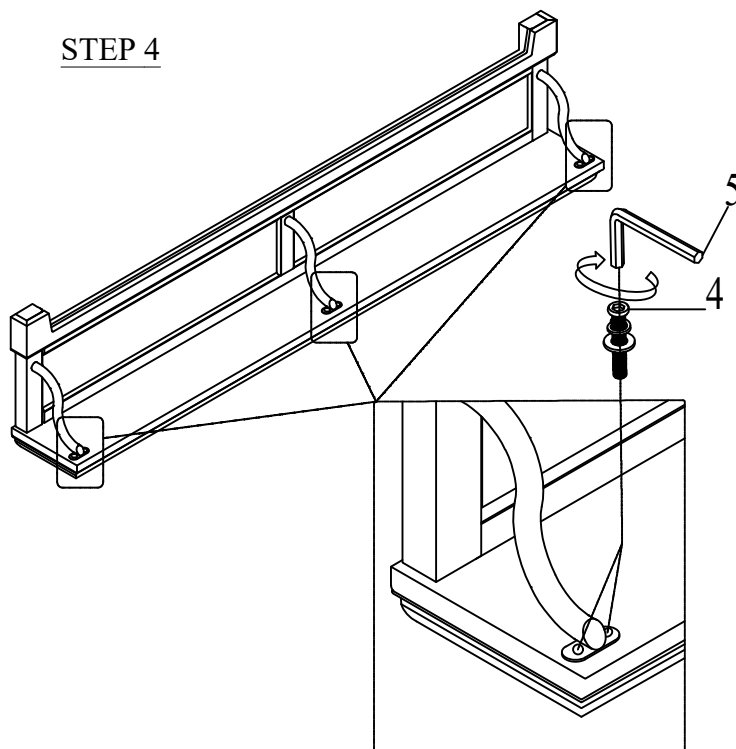
STEP 2



STEP 3



STEP 4

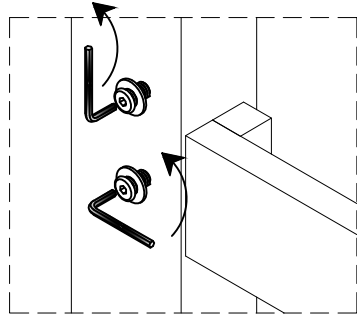


THE HARDWARE IS LOCATED IN THE PACKING ITEMS

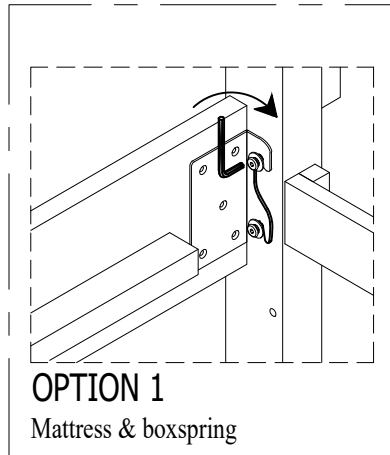
NOTE: Periodically check to ensure that all connectors (bolts, screws, etc.) are tight.
NOTA: Verifique periódicamente que todos los conectores (tuercas, tornillos, etc.) estén bien apretados.

ASSEMBLY INSTRUCTION INSTRUCCIONES

B1900-Q-HB/ B1900-Q-FB/ B1900-KQ-RAIL QUEEN BED

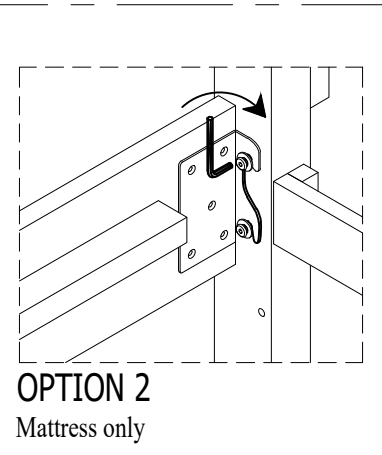


Loose all the bolts



OPTION 1

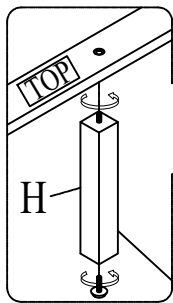
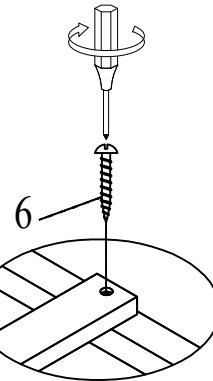
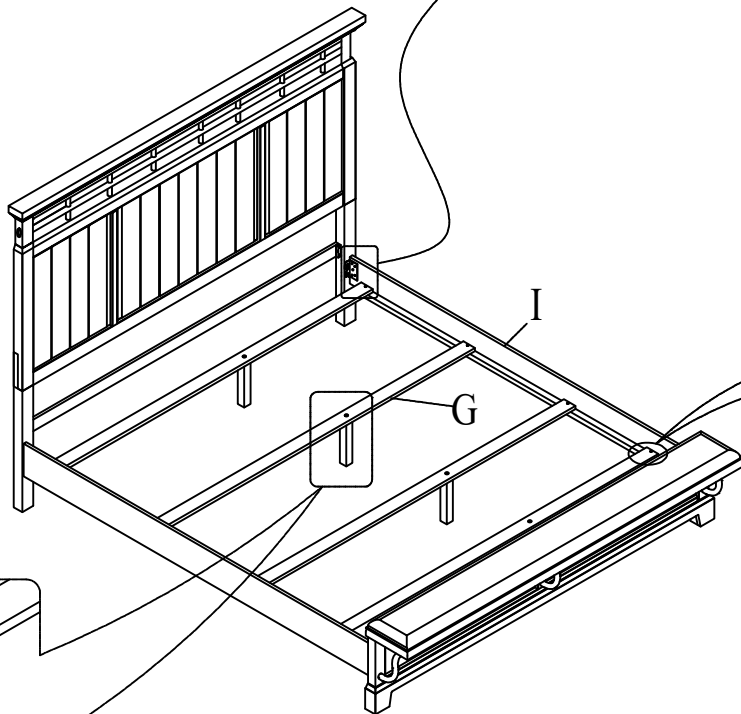
Mattress & boxspring



OPTION 2

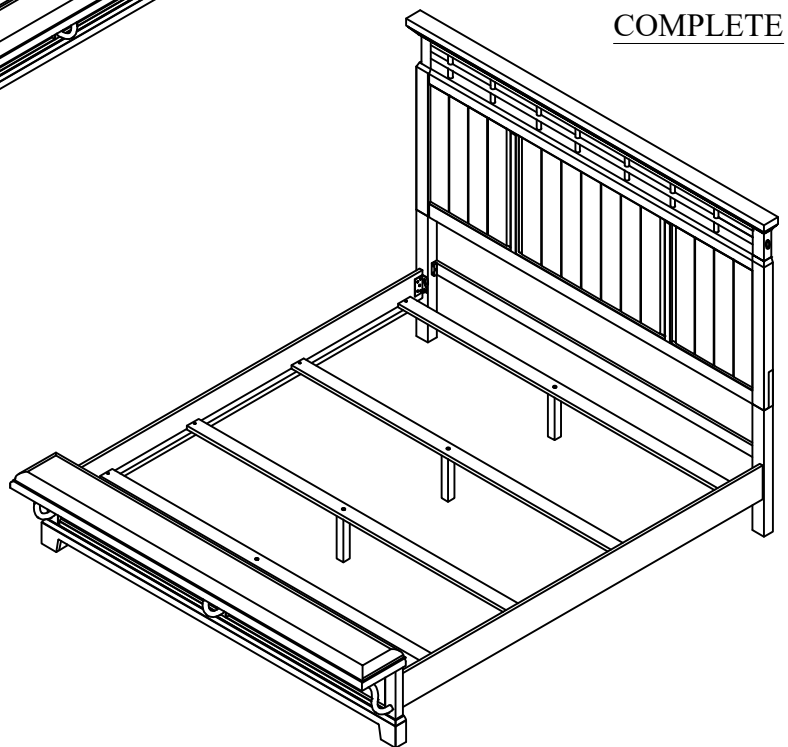
Mattress only

STEP 5



IMPORTANT
Make sure the SCREW NUT on wood
slat (G) is FACING UP when
assembling the support leg (H)

COMPLETE



THE HARDWARE IS LOCATED IN THE PACKING ITEMS

NOTE: Periodically check to ensure that all connectors (bolts, screws, etc.) are tight.
NOTA: Verifique periódicamente que todos los conectores (tuercas, tornillos, etc.) estén bien apretados.