


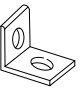



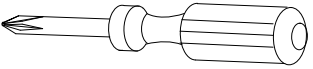
# ASSEMBLY INSTRUCTION INSTRUCCIONES

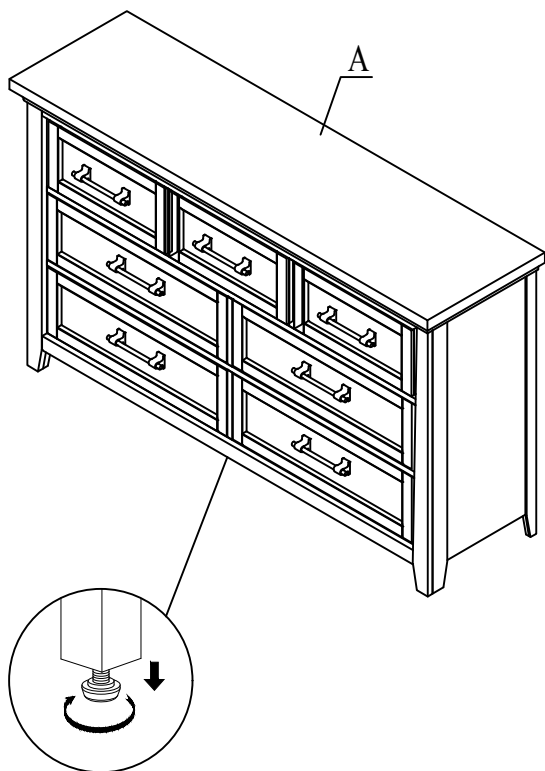
# B1900-1/B1950-1 DRESSER B1900-1/B1950-1 TOCADOR

## PARTS LIST LISTA DE PARTES

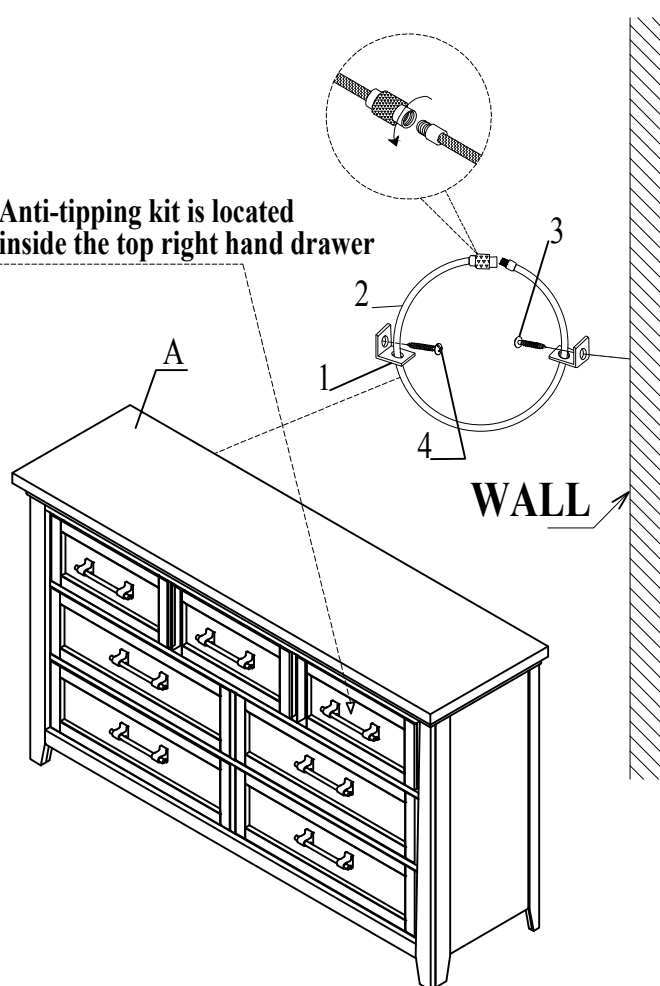
|   |                      |   |                |
|---|----------------------|---|----------------|
| A | DRESSER /<br>TOCADOR |  | 1PC /<br>PIEZA |
|---|----------------------|---|----------------|

## ANTI-TIPPING HARDWARE LIST LISTA DE HARDWARE ANTI-TIPPING

|                               |                          |  |                 |
|-------------------------------|--------------------------|--|-----------------|
| 1                             | BRACKET                  |   | 2PC /<br>PIEZAS |
| 2                             | TIE WRAP                 |   | 1PC /<br>PIEZA  |
| 3                             | LONG SCREW<br>#8x2" L    |   | 1PC /<br>PIEZA  |
| 4                             | SHORT SCREW<br>#8x5/8" L |   | 1PC /<br>PIEZA  |
| ASSEMBLY TOOL<br>NOT INCLUDED |                          |  |                 |



Anti-tipping kit is located  
inside the top right hand drawer



NOTE: Periodically check to ensure that all connectors (bolts, screws, etc.) are tight.  
NOTA: Verifique periódicamente que todos los conectores (tuercas, tornillos, etc.) estén bien apretados.