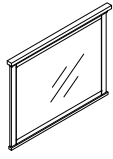
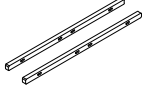



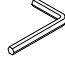
ASSEMBLY INSTRUCTION INSTRUCCIONES

B1900-11/B1950-11 DRESSER TOP B1900-11/B1950-11 TOPE DE TOCADOR

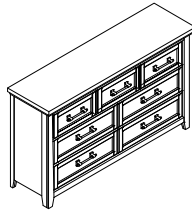
BOX OF MIRROR

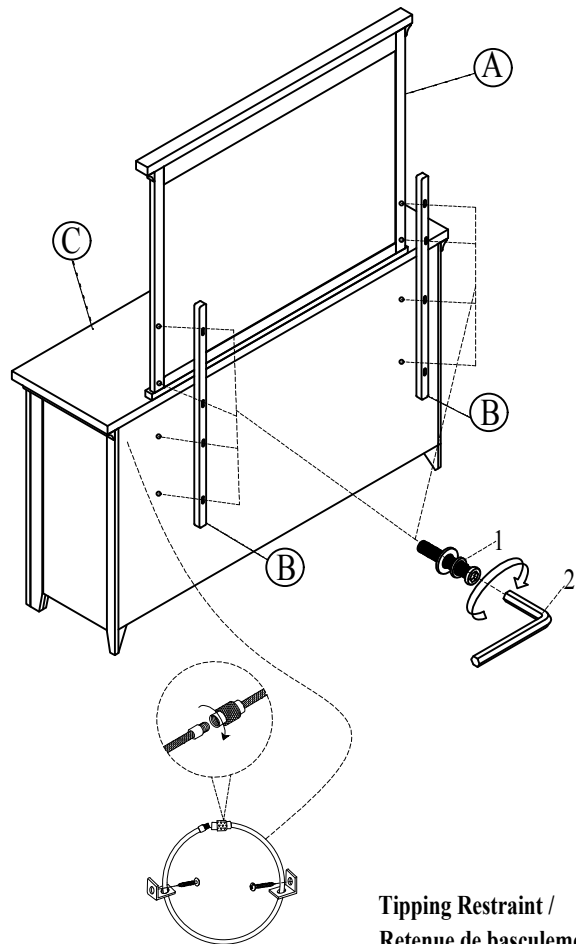
A	DRESSER TOP / TOPE DE TOCADOR		1PC / PIEZA
B	DRESSER SUPPORT		2PCS / PIEZAS

HARDWARE LIST BOX OF MIRROR

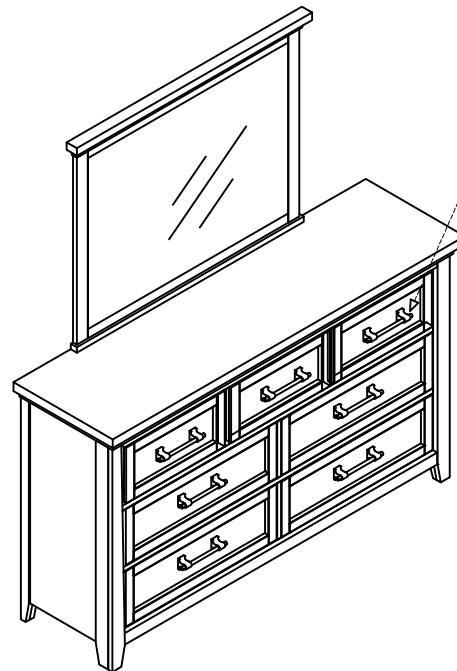
1	BOLT $\emptyset 1/4"$ -20x1-1/2"L		8PCS / PIEZAS
2	ALLEN WRENCH 1/4"		1PC / PIEZA

BOX OF DRESSER

C	DRESSER / TOCADOR		1PC / PIEZA
---	----------------------	---	----------------



Anti-tipping kit is located
inside the top right hand drawer



COMPLETED DRESSER & MIRROR ASSEMBLY

NOTE: Periodically check to ensure that all connectors (bolts, screws, etc.) are tight.
NOTA: Verifique periódicamente que todos los conectores (tuercas, tornillos, etc.) estén bien apretados.