

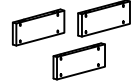
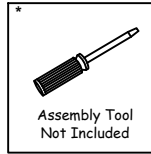


# ASSEMBLY INSTRUCTIONS



ITEM NO : B3050-9  
PATTERSON TV STAND

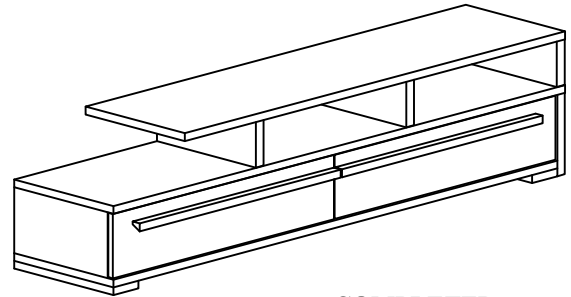
## BOX OF PATTERSON TV STAND

ITEM	DRAWING	DESCRIPTION	QTY
A		TV STAND	1
B		TOP PANEL (AT TOP TV STAND)	1
C		SIDE PANEL / CENTER PANEL (AT TOP TV STAND)	3



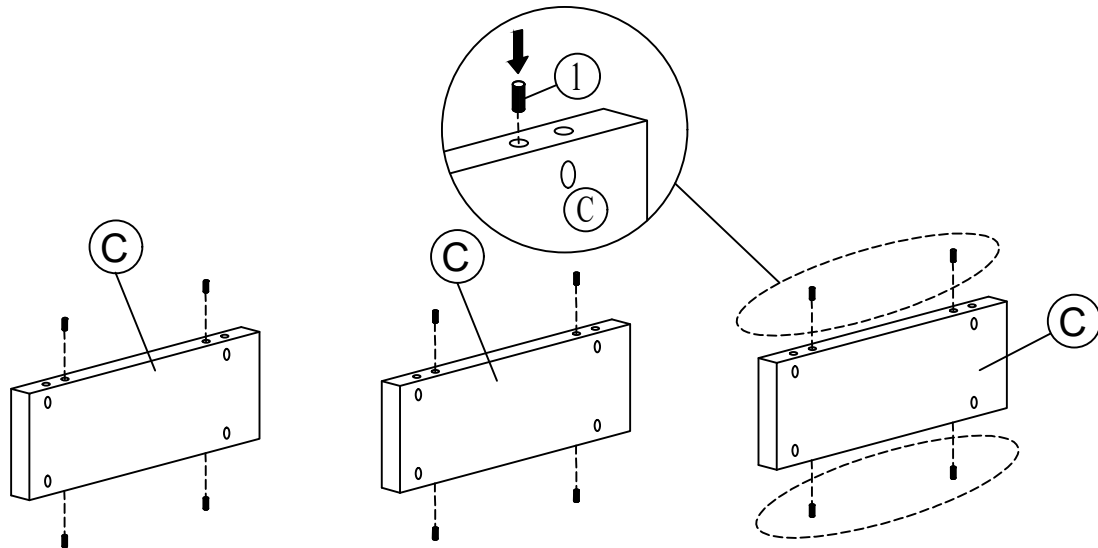
## HARDWARE LIST

ITEM	DRAWING	DESCRIPTION	QTY
1		WOOD DOWEL (M6 x 30MM)	12
2		RAPID S DU 332 & RASTEX 15/18	12

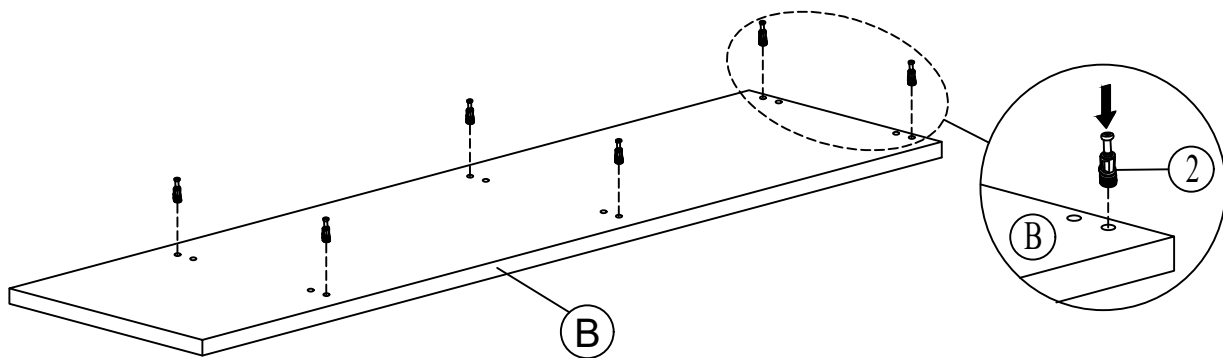


**COMPLETED  
PATTERSON TV STAND  
ASSEMBLY**

### STEP 1:



### STEP 2:



THE HARDWARE IS LOCATED IN THE PACKING ITEMS

NOTE : Periodically check to ensure that all connectors (bolts, screws, etc.) are tight.

### CLEANING INSTRUCTION

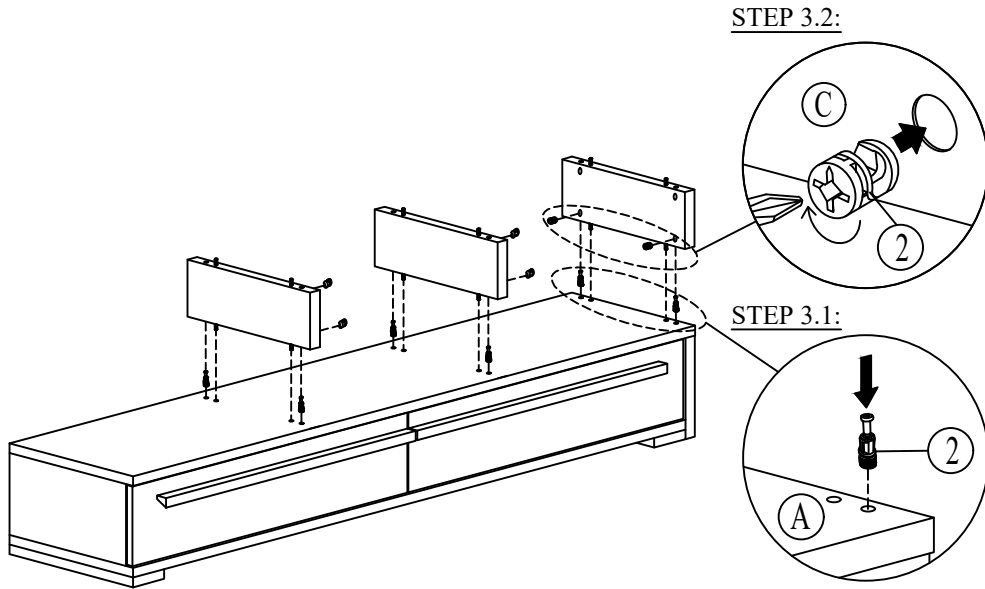
After assembled, clean & polish the completed parts if necessary with soft cloth and industrial recognized furniture polish

MADE IN MALAYSIA

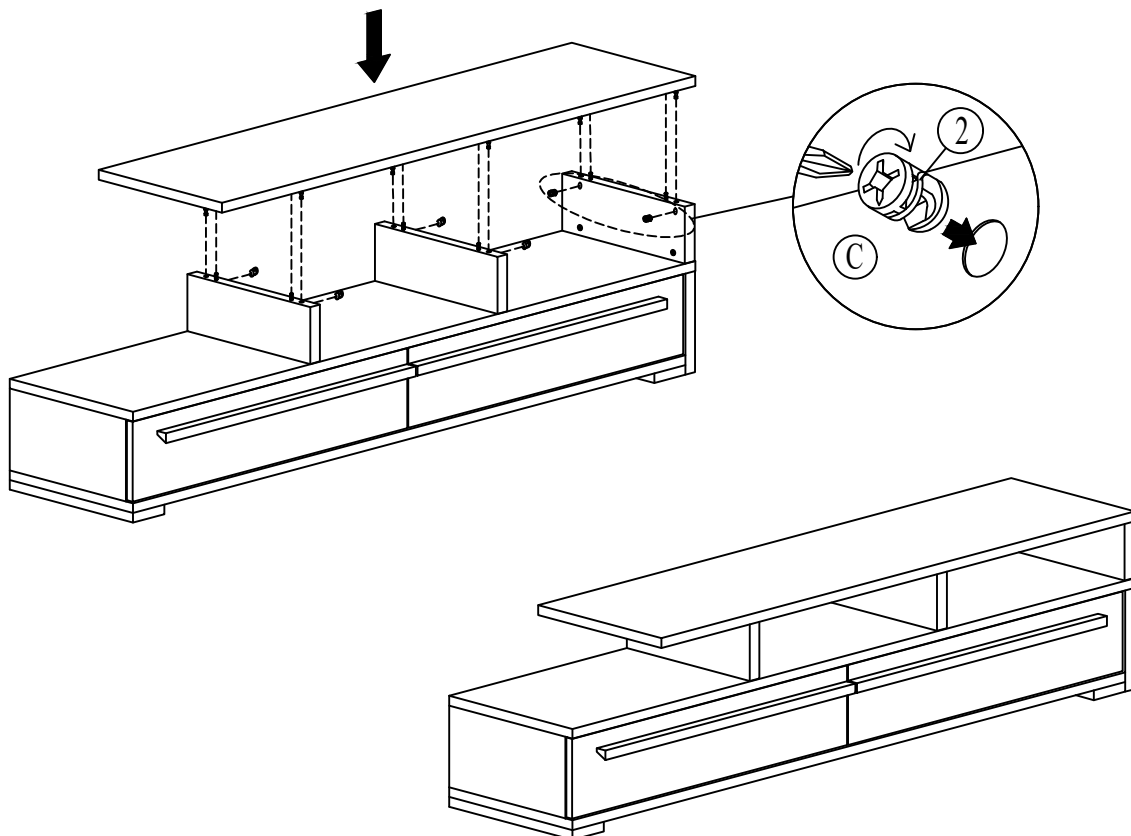
# ASSEMBLY INSTRUCTIONS

ITEM NO : B3050-9  
PATTERSON TV STAND

## STEP 3:



## STEP 4:



THE HARDWARE IS LOCATED IN THE PACKING ITEMS

NOTE : Periodically check to ensure that all connectors (bolts, screws, etc.) are tight.

### CLEANING INSTRUCTION

After assembled, clean & polish the completed parts if necessary with soft cloth and industrial recognized furniture polish

MADE IN MALAYSIA