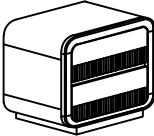
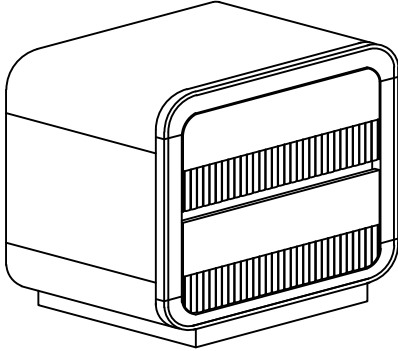


# ASSEMBLY INSTRUCTIONS



ITEM NO : B3500-2  
KINKAID NIGHT STAND

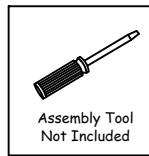
## BOX OF NIGHT STAND

ITEM	DRAWING	DESCRIPTION	QTY
A		NIGHT STAND	1

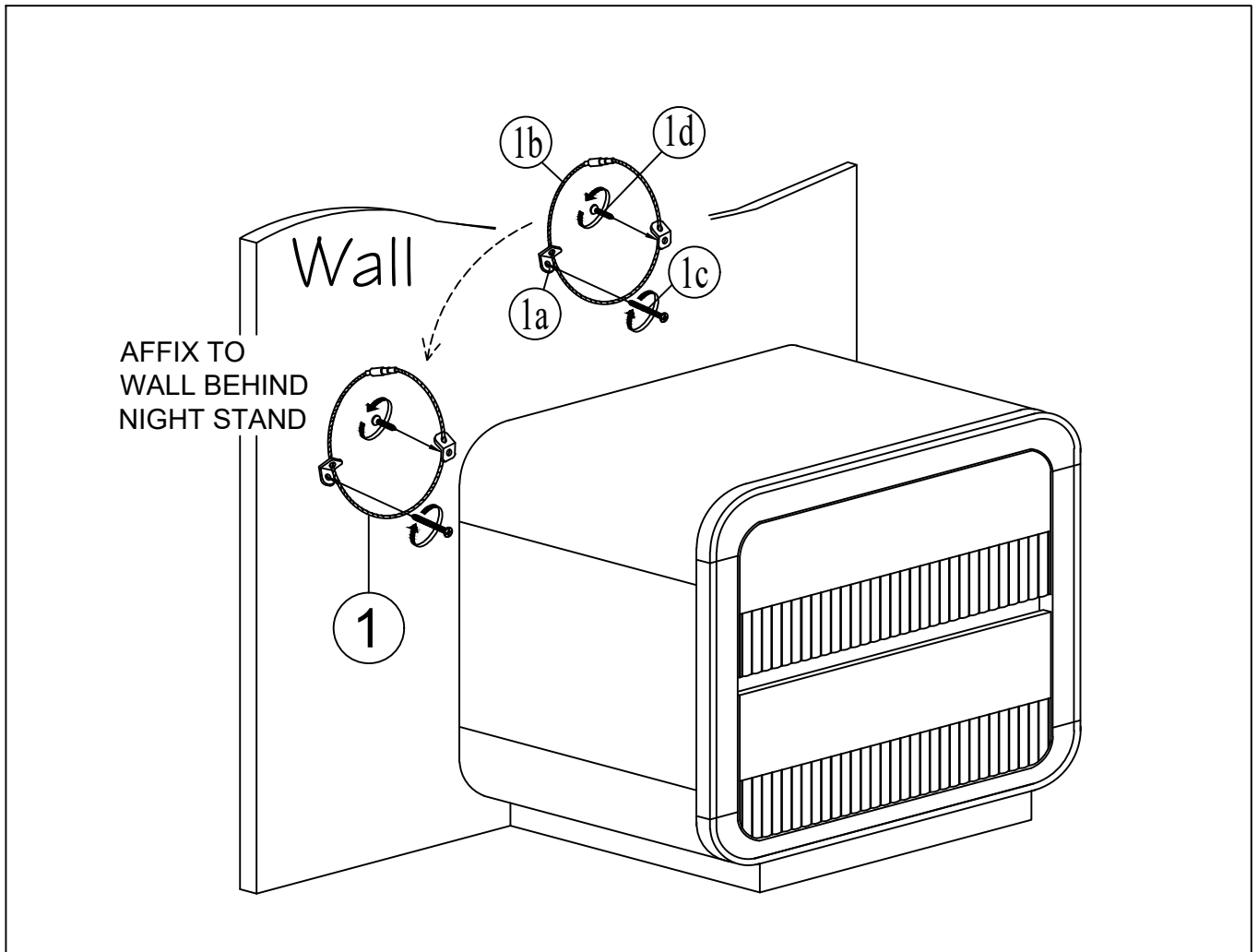


## BOX OF NIGHT STAND HARDWARE LIST

1		TIPPING RESTRAINT ( Affix to wall behind Nightstand ) * Located in the Nightstand 1st Drawer		
	1a		BRACKET	2
	1b		TIE WRAP	1
	1c		LONG SCREW #8x2" L*	1
	1d		SHORT SCREW #8x5/8" L	1



## COMPLETED NIGHT STAND ASSEMBLY



THE HARDWARE IS LOCATED IN THE PACKING ITEMS  
THE ANTI TIPPING HARDWARE IS LOCATED IN THE NIGHTSTAND 1ST DRAWER

NOTE : Periodically check to ensure that all connectors (bolts, screws, etc.) are tight.

### CLEANING INSTRUCTION

After assembled, clean & polish the completed parts if necessary with soft cloth and industrial recognized furniture polish

MADE IN MALAYSIA