


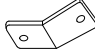


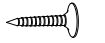
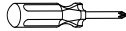
# ASSEMBLY INSTRUCTION

MODEL NO: B3650 / B3850 / B3950 / B3750 / B3760 - 1  
DRESSER

## BOX OF DRESSER

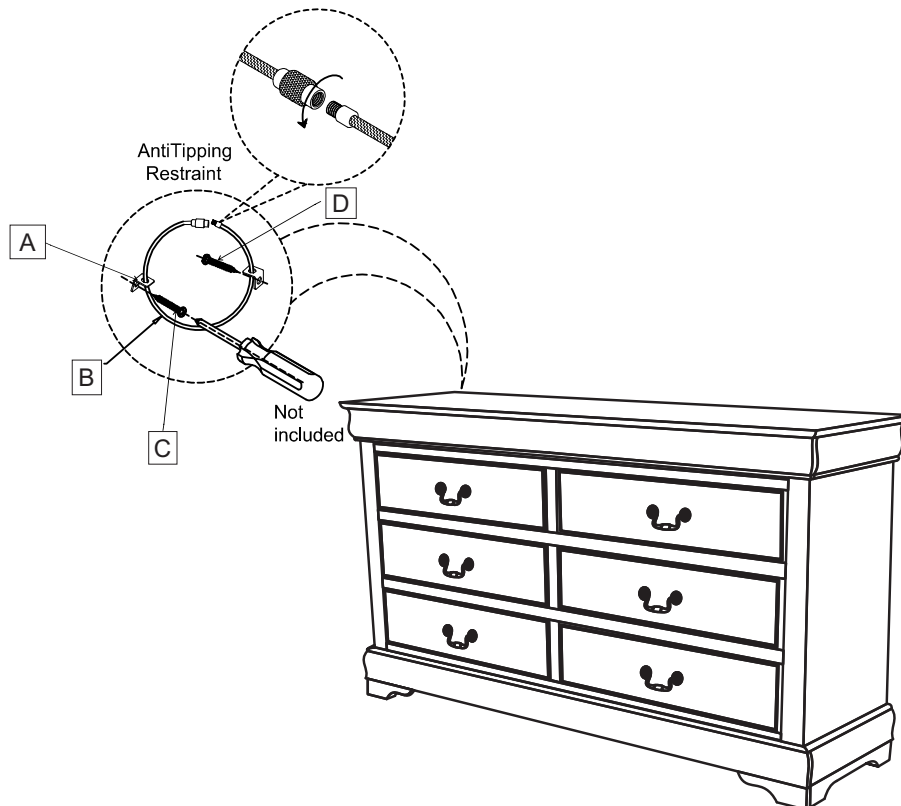
A		DRESSER	1
---	---	---------	---

## BOX OF DRESSER-ANTI-TIPPING HARDWARE PACKAGE

A	BRACKET 120°		2PCS / PIEZAS
B	STEEL CABLE		1PC PIEZA
C	LONG SCREW 4mm * 50mm		1PC / PIEZA
D	SHORT SCREW 4mm * 15mm		1PC / PIEZA
ASSEMBLY TOOL NOT INCLUDED			



**COMPLETED  
ASSEMBLY**



### INSTALLATION INSTRUCTIONS:

1. Determine where the furniture is to be placed and find the center line of a wooden stud using a stud finder.
2. Drill a 1/8" pilot hole on the wooden stud approximately 3" below the height of unit top.
3. Attach one bracket (A) securely with screw (C) into the pilot hole on the wall.
4. Position the furniture in place and attach the other bracket (A) with screw (D) to the back edge of unit top in line with the bracket (A) on the wall.
5. Put the male end of the steel cable (B) through each bracket. Securely connect both ends together by turning the female connector clockwise.

**THE ANTI-TIPPING HARDWARE IS LOCATED IN THE RIGHT SIDE FRONT DRAWER OF DRESSER.**

NOTE: PERIODICALLY CHECK TO ENSURE THAT ALL CONNECTORS (BOLTS, SCREWS, ETC.) ARE TIGHT.

### CLEANING INSTRUCTION.

After assembled, clean & polish the completed parts if necessary with soft cloth and industrial recognized furniture polish.

MADE IN VIETNAM