

ASSEMBLY INSTRUCTIONS

CROWNMARK MODEL:

B4100-1 & B4100-11

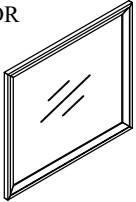
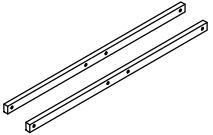
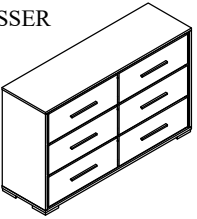
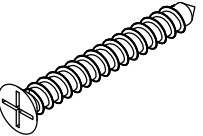
DRESSER & MIRROR

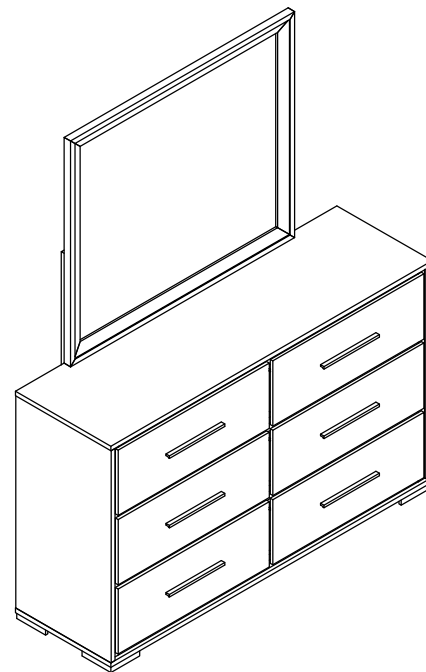
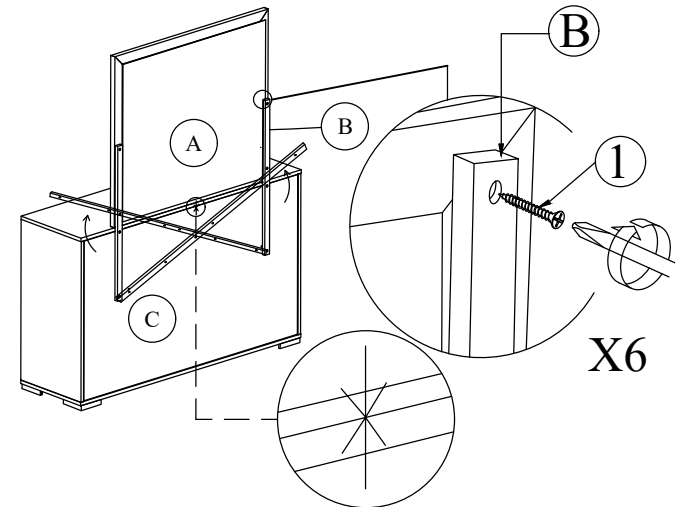
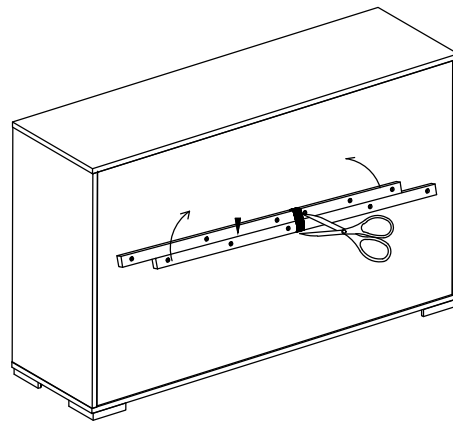
STEP:1

Cut of the Raffia String from the back of DRESSER (C).
THE HARDWARE IS LOCATED IN THE
PACKING ITEM

STEP:2

Turn the MIRROR SUPPORT RAIL (B) upward at the back of
DRESSER (C), then Tighten with CSK SCREW (1). Place the
MIRROR FRAME (A) on the top of DRESSER (C). Tighten
with Flat Head Chipboard Screw (1).

No	ITEM	Qty
(BOX 1) BOX OF MIRROR		
A	MIRROR 	1pc
(BOX 2) BOX OF DRESSER		
B	MIRROR SUPPORT L&RWITH HOLE 	2pcs
C	DRESSER 	1pc
(BOX 1) HARDWARE LIST		
No	ITEM	Qty
1	Csk M4 x 32mm 	6pcs



COMPLETED ASSEMBLY

NOTE : Periodically check to ensure that all connectors (bolts, screws, etc.) are tight