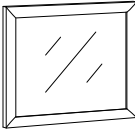



# ASSEMBLY INSTRUCTIONS

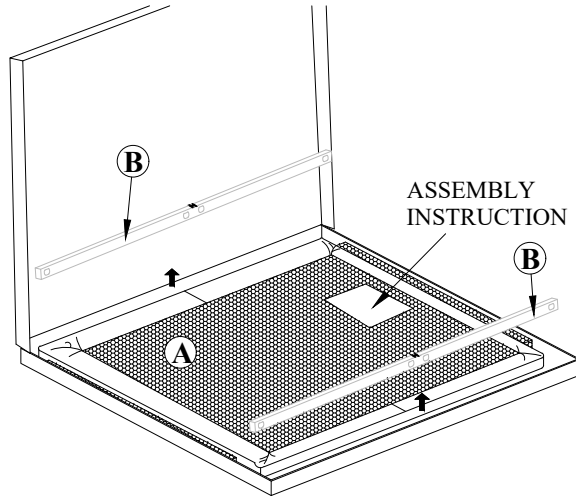
**CROWNMARK**  
**B4255-1/B4255-11/B4260-1/B4260-11/**  
**B4270-1/B4270-11/B4280-1/B4280-11/**  
**DRESSER MIRROR**

**(BOX 1)**

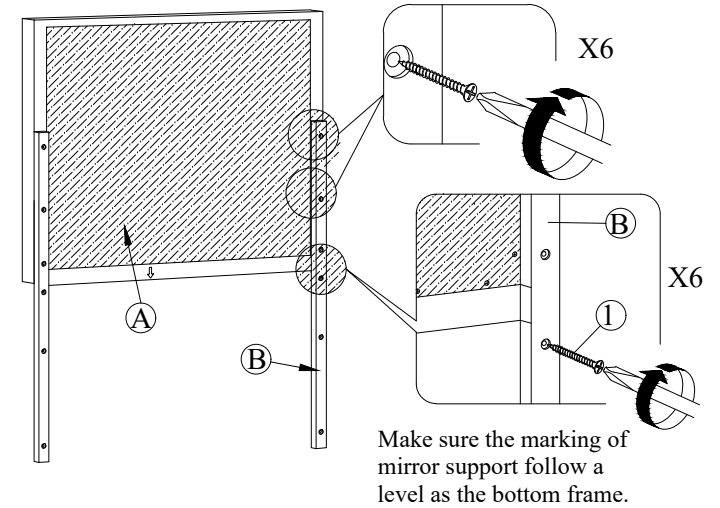
BOX OF MIRROR

NO	ITEM	QTY
	MIRROR	
A		1 PC
	MIRROR SUPPORT	
B		2 PCS

**STEP 1 :** Draw out MIRROR SUPPORT (B) from the carton box  
 THE HARDWARE IS LOCATED IN THE PACKING ITEM

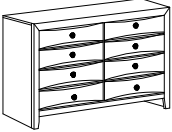


**STEP 2 :** Align & fasten MIRROR SUPPORT (B) to the back of MIRROR (A) using  
 FLAT HEAD CHIPBOARD SCREW(1).

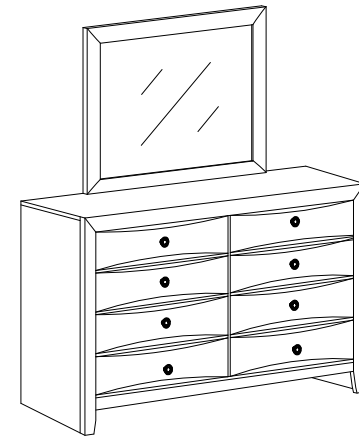
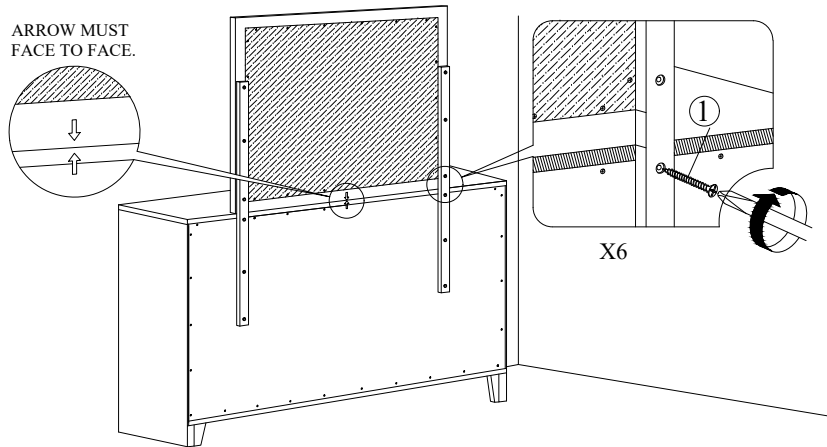


**(BOX 2)**

BOX OF DRESSER

NO	ITEM	QTY
	DRESSER	
C		1 PC

**STEP 3 :** Place MIRROR (A) on top of DRESSER (C). Align & fasten MIRROR SUPPORT (B)  
 to the back of DRESSER (C). Tighten with FLAT HEAD CHIPBOARD SCREW (1)



**COMPLETED ASSEMBLY !!!**

NOTE : Periodically check to ensure that all connectors (bolts, screws, etc.) are tight.