

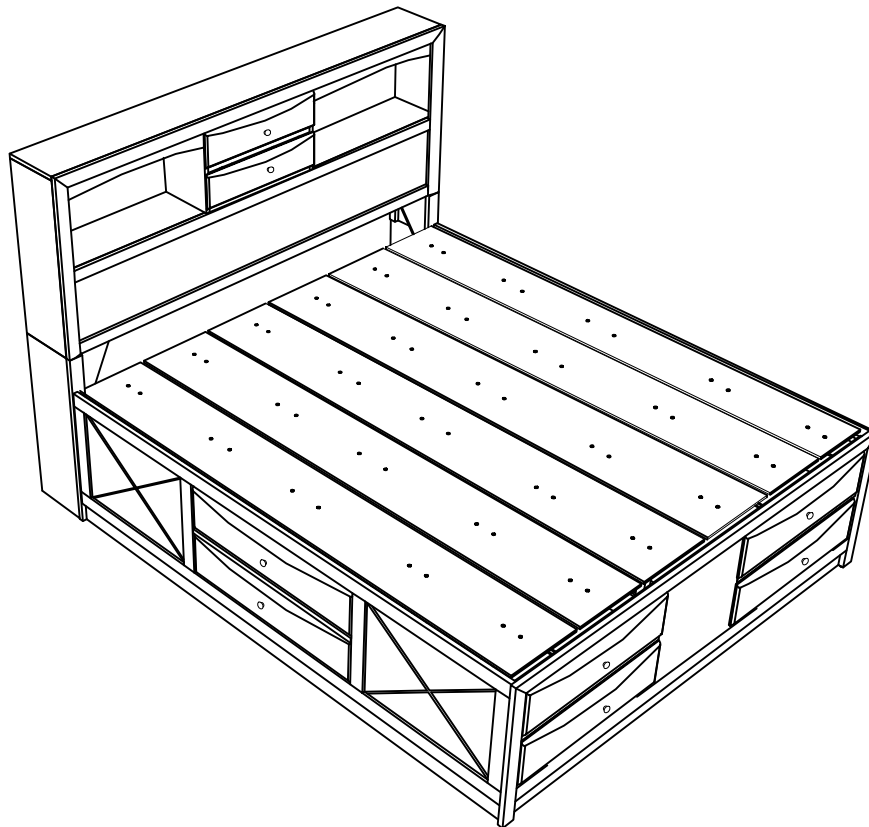
Emily King With Storage Bed

MODEL
B4285/B4265/B4275

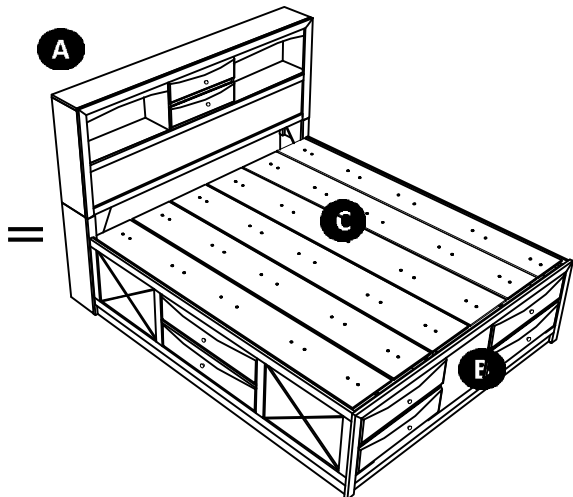
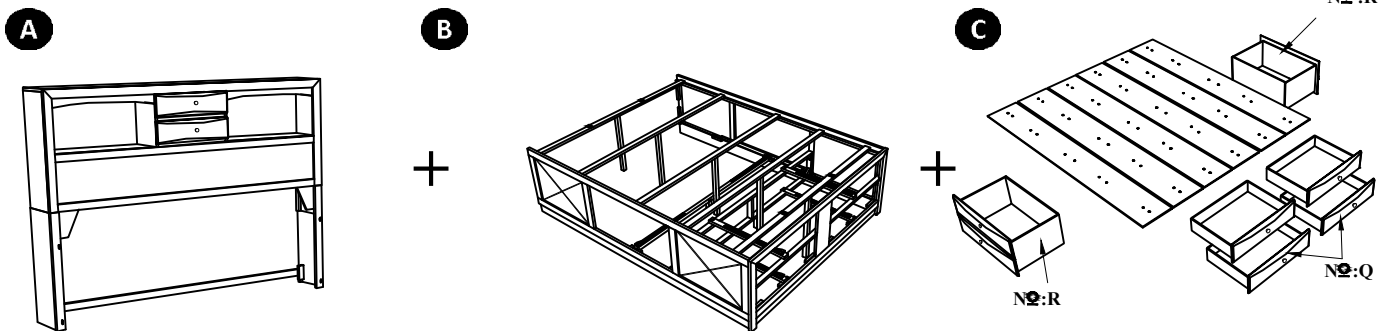
Assembly Installation Guide

DESCRIPTION:

King Headboard
King Footboard
King Side Rails
King Slat & Support Legs
Storage Drawer



INSTALLATION AREA

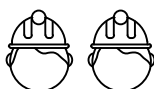


Caution : Please read instructions thoroughly before unpacking assembly parts. Sharp, exposed staple tips can cause injury, therefore, for your protection, please remove any exposed staples used in packing.

1. We recommend that you should assemble this product with the assistance of another person ; this will make assembly easier, and will help to eliminate damage to the product or injury to persons during assembly.
2. Be sure to check all packing materials carefully for small parts that may have come loose inside the carton during shipment.
3. Please do not over tighten screws or bolts.
4. Please put all parts on a non - abrasive floor before assembly. and follow the assembly step to assemble your newly purchased product correctly and efficiently .

Drawer NQ:Q & NQ:R are identical & compatible, to each other regardless left or right.

During assembly, do not tighten any hardware until the complete unit has been assembled.



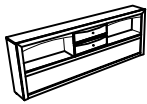
2 PERSON
installation recommended



20 - 25
minutes for installation

BOX 1

Box of Headboard & Footboard



№A

Headboard x 1
255 x 1420 x 1997 mm



№C(L)

Headboard Leg (L) x 1



№E

Drawer Support Rail 2 x 4
20 x 40 x 633mm



№B

Footboard x 1
42 x 570 x 1995mm



№C(R)

Headboard Leg (R) x 1



№F

Support Leg 2 x 1
30 x 30 x 95mm



№A1

Headboard Drawer x 2



№D

Triangle Support Panel x 2
-9 x 200 x 200



№G

Support Leg 3 x 1
30 x 30 x 107mm

Hardware List



№1

Flat Head Chipboard
Screw x 9
m4 x 32mm RBW



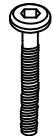
№2

Pan Head Chipboard
Screw x 8
m3.5 x 20mm BLK



№3

JCBC Bolt x 4
m6 x 35mm
BLK



№4

JCBC Bolt x 2
m6 x 50mm
BLK



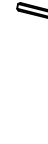
№5

Spring Washer x 6
1/4" RBW



№6

Flat Washer x 6
1/4" ID x 13mm OD
BLK



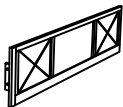
№7

Allen Key x 1
m4 x 110mm BLK

THE HARDWARE IS LOCATED IN THE PACKING ITEM

BOX 2

Box of Side rail



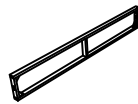
№H

Side Rail x 2
39 x 570 x 2060mm



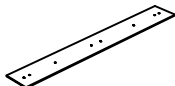
№I

Bed Slat x 3
18 x 45 x 1951mm



№J

F/Board Drawer Frame x 1
40 x 220 x 1951mm



№K

Concealed Panel x 6
9 x 295 x 2040mm



№L

H/Board Back Support 1
x 1
19 x 30 x 1965mm



№M

Drawer Support Rail x 1
30 x 30 x 1951mm



№N

Support Leg 1 x 5
30 x 30 x 518mm



№O

H/Board Back Support 2 x 1
18 x 45 x 1965mm



№P

Bed Slat With Marking x 2
18 x 45 x 1951mm

Hardware List



№8

Flat Head Chipboard
Screw x 16
m4 x 32mm RBW



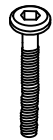
№9

Pan Head Chipboard
Screw x 32
m3.5 x 20mm BLK



№10

JCBC Bolt x 15
m6 x 35mm
BLK



№11

JCBC Bolt x 6
m6 x 50mm
BLK



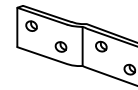
№12

Spring Washer x 15
1/4" RBW



№13

Flat Washer x 15
1/4" ID x 13mm OD
BLK



№14

Z-Bracket x 1



№15

Allen Key x 1
m4 x 110mm BLK

THE HARDWARE IS LOCATED IN THE PACKING ITEM

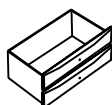
BOX 3 & 4

Box of Parts & Hardware



№Q

Drawer 1 x 4



№R

Drawer 2 x 2



№16

Handle x 8



№17

Truss Head M.
Screw Handle x 4
m4 x 48mm BLK



№18

Truss Head M.
Screw Handle x 4
m4 x 50mm BLK

A

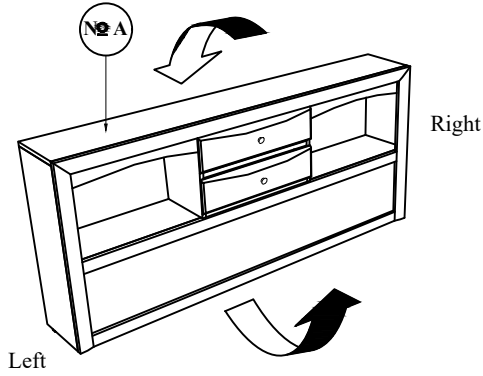


Headboard
Assembly
Installation

STEP
01

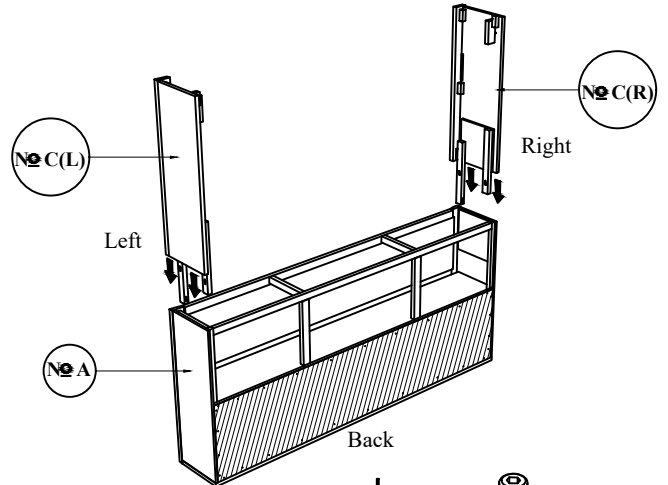
Turn the Headboard (A) upside-down with back of headboard facing you on top of carpeted or padded area to protect it from damage

Box 1 : N°A



STEP
02

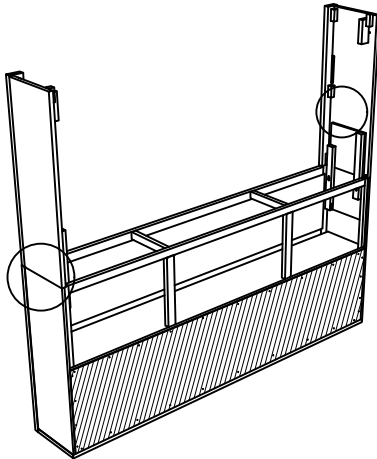
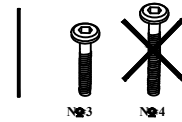
Attach and tighten the Headboard Leg L/R (C) to the Headboard (A).
Box 1 : N° C(L) + N° C(R)



STEP
03

Insert Spring washer (5) , Flat Washer (6) , tighten JCBC bolt (3) by using an Allen Key (7).

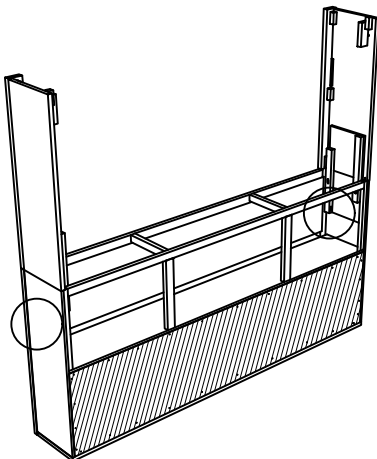
Box 1 : N° 3 + N° 5 + N° 6 + N° 7



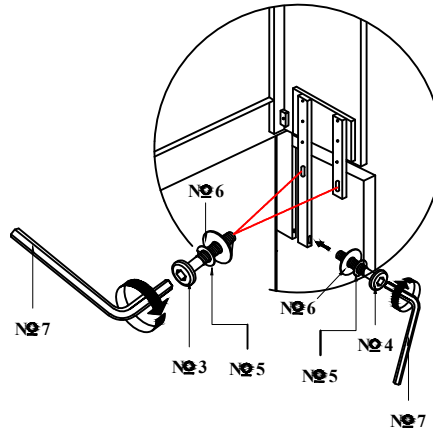
STEP
04

Insert Spring washer (5) , Flat Washer (6) , tighten JCBC bolt (4) by using an Allen Key (7).

Box 1 : N° 4 + N° 5 + N° 6 + N° 7



WARNING!
INSTALL THE BOLTS BY FOLLOWING THE ARROWS SHOWN. AFTER ALL BOLTS BEEN INSTALLED INSIDE THE HOLE PLEASE TIGHTEN THEM FULLY.



A

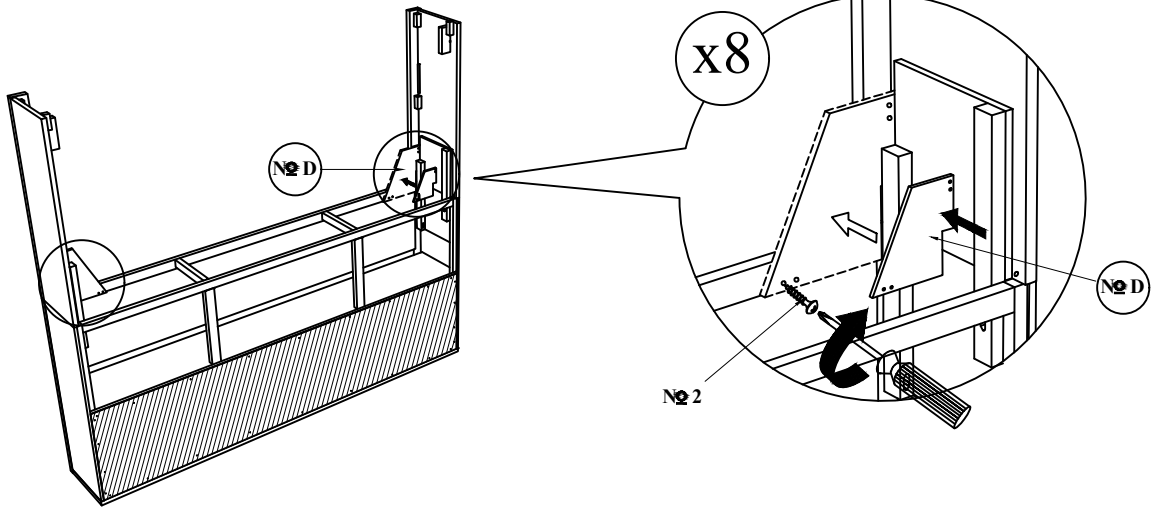


Headboard Assembly Installation

STEP
05

Attach and tighten the triangle Support Panel (D) to the Headboard and tighten the Panhead screw (2) using screw driver . (Not included)

Box 1 : № D + № 2

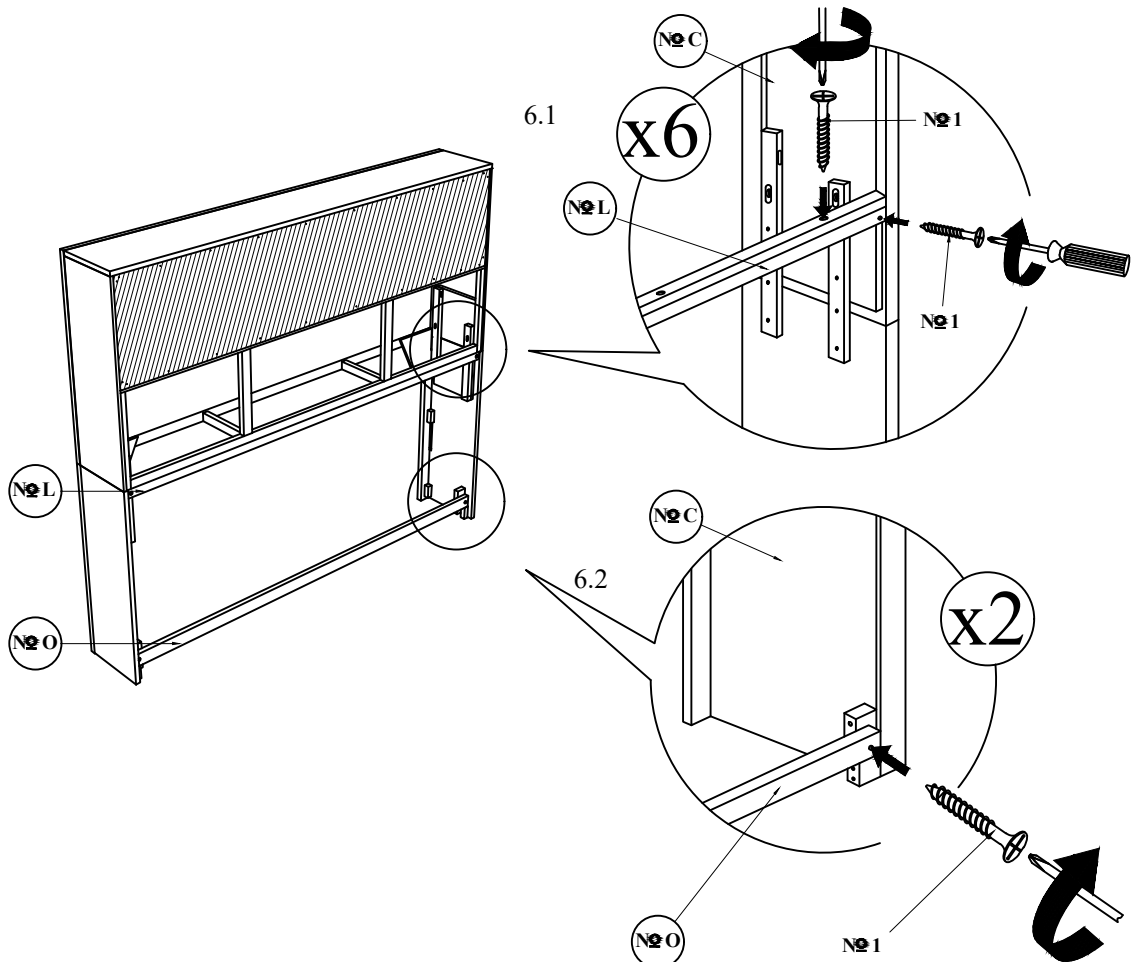
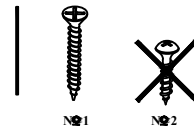


STEP
06

Attach Headboard Back Support (L) & (O) as picture shown. Tighten the CSK screw (1) using a screw driver. (Not included)

Box 1 : № 1

Box 2 : № L + № O



B

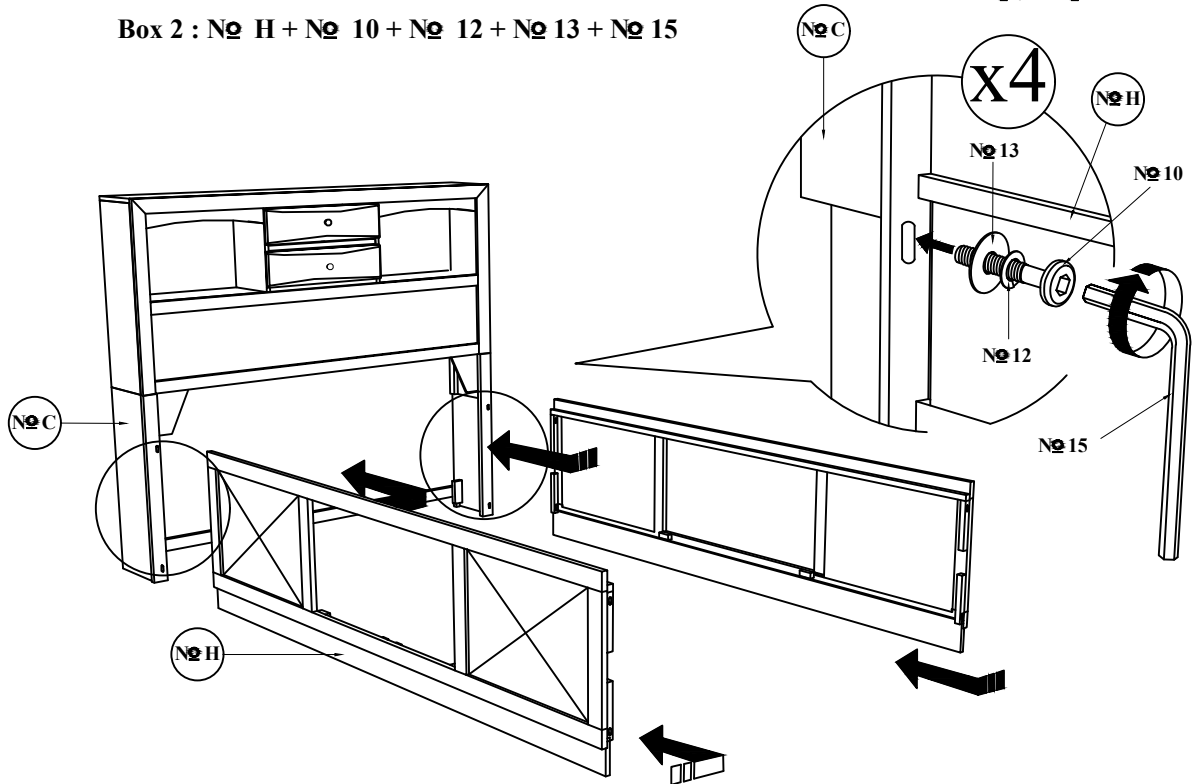
STEP
07

Attach the Side Rail (H) to the Headboard Leg L/R (C). Insert Spring Washer (12), Flat Washer (13), tighten JCBC (10) using an Allen Key (15).

Box 2 : № H + № 10 + № 12 + № 13 + № 15



Footboard
Structure
Assembly
Installation

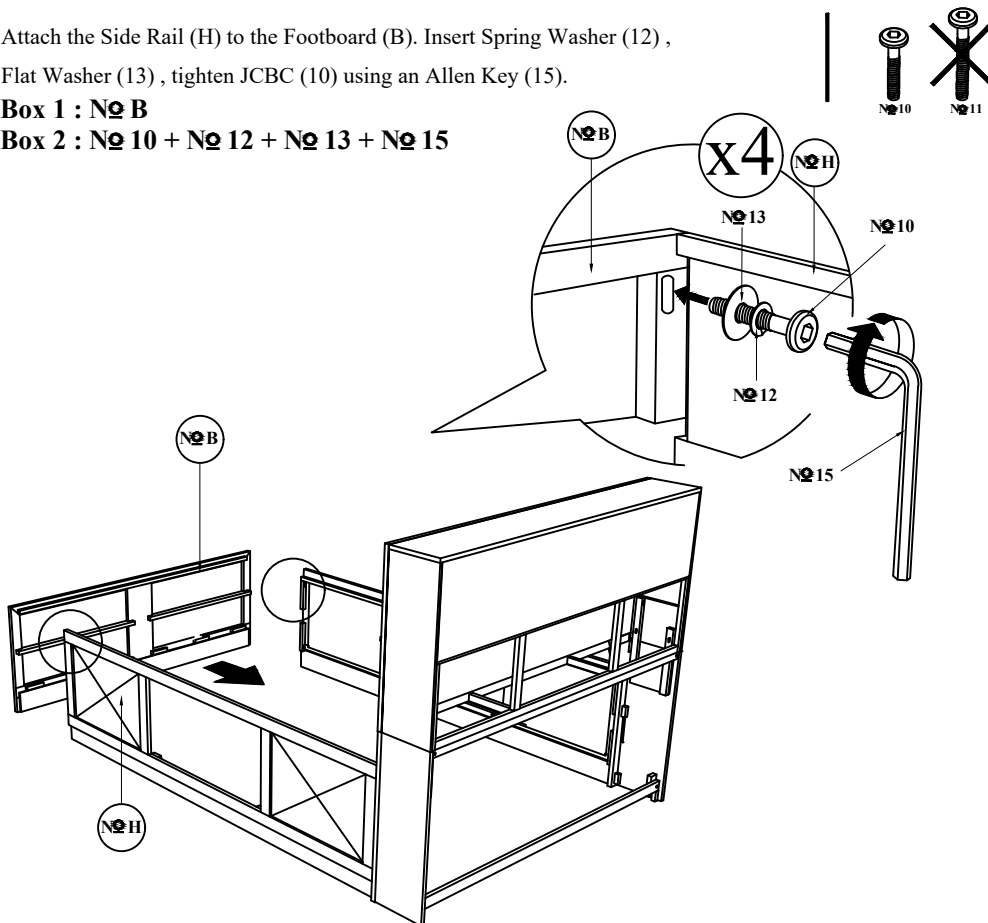


STEP
08

Attach the Side Rail (H) to the Footboard (B). Insert Spring Washer (12), Flat Washer (13), tighten JCBC (10) using an Allen Key (15).

Box 1 : № B

Box 2 : № 10 + № 12 + № 13 + № 15



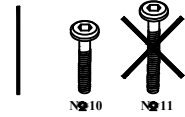
B

STEP
09

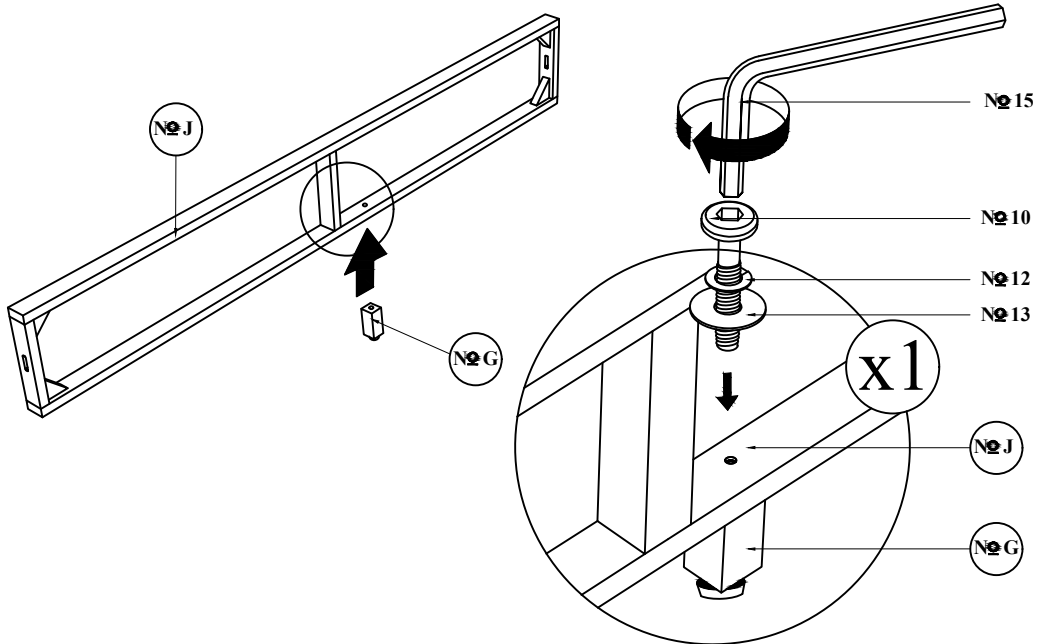
Attach Support Leg (G) to the Footboard Drawer Frame (J). Insert Spring Washer (12), Flat Washer (13), & tighten JCBC (10) using an Allen Key(15).

Box 1 : № G

Box 2 : № J + № 10 + № 12 + № 13 + № 15



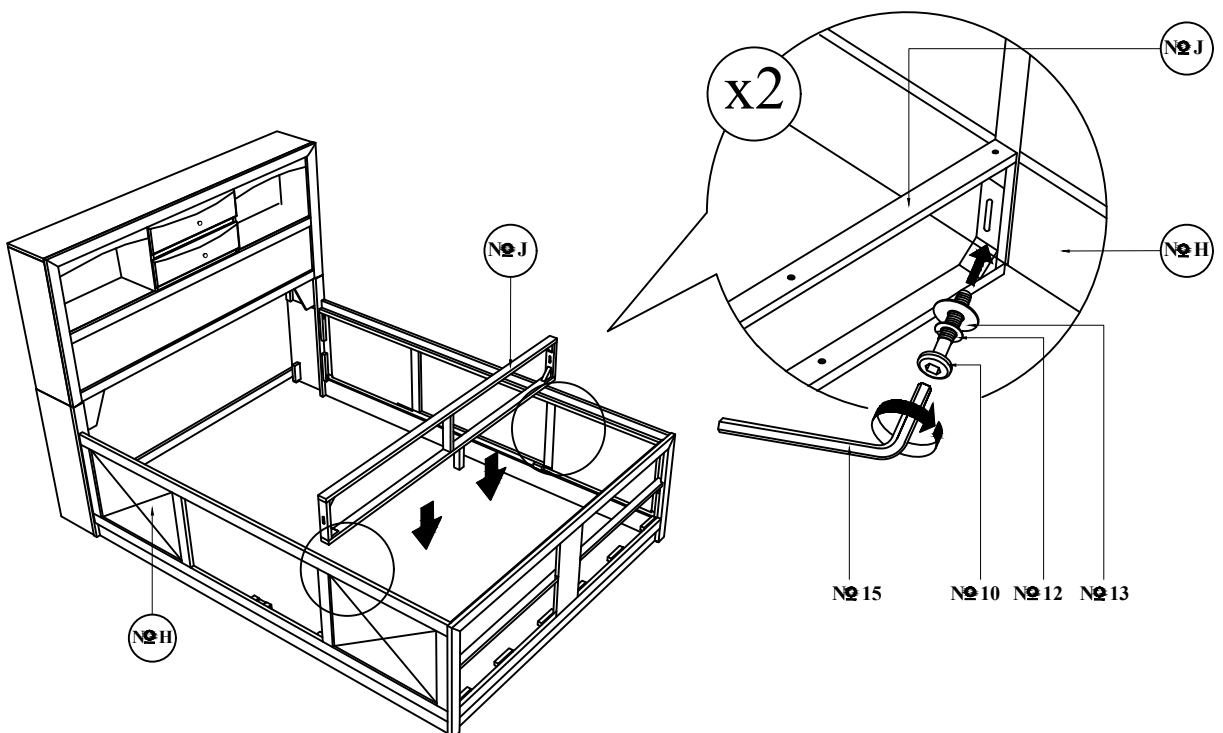
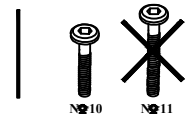
Footboard
Structure
Assembly
Installation



STEP
10

Attach the Footboard Drawer Frame (J) to the Side Rail (H). Insert Spring Washer (12), Flat Washer (13), tighten JCBC (10) using Allen Key (15).

Box 2 : № 10 + № 12 + № 13 + № 15



B

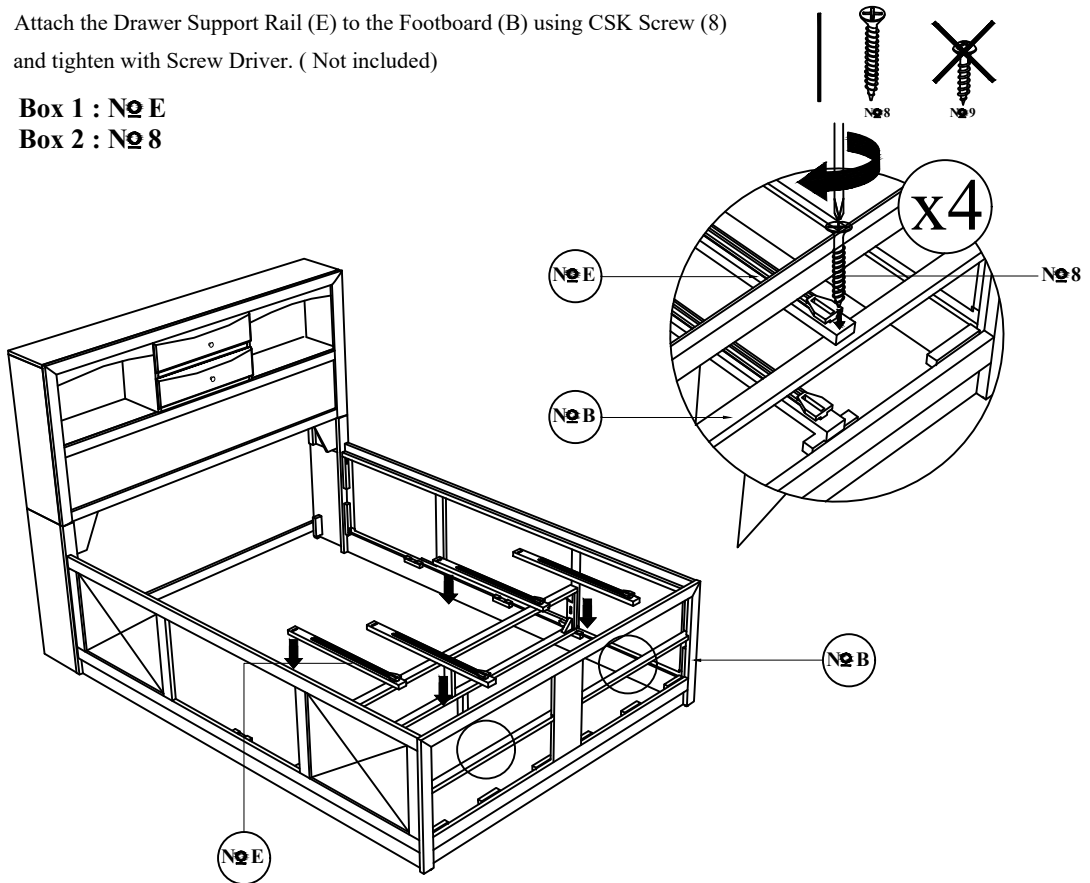
STEP
11

Attach the Drawer Support Rail (E) to the Footboard (B) using CSK Screw (8) and tighten with Screw Driver. (Not included)

Box 1 : № E
Box 2 : № 8



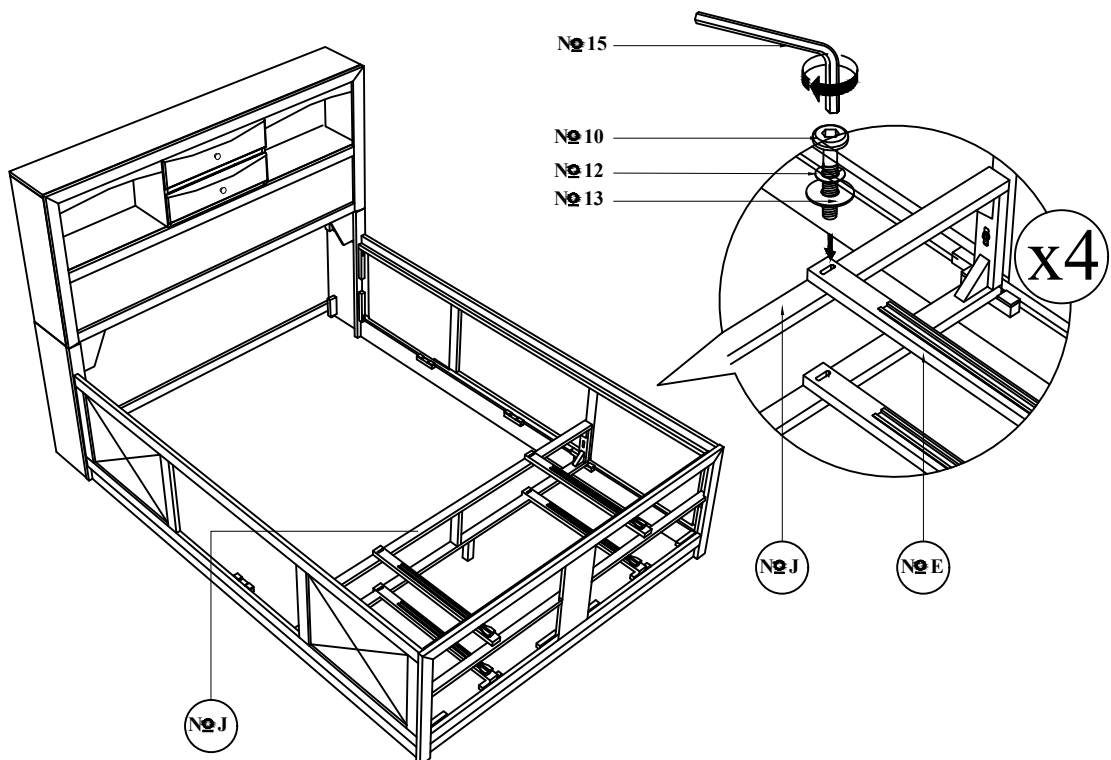
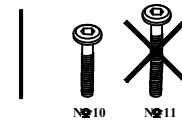
Footboard
Structure
Assembly
Installation



STEP
12

Attach the Drawer Support Rail (E) to the Footboard Drawer Frame (J). Insert Spring Washer (12), Flat Washer (13) & tighten JCBC Bolt (10) using an Allen Key (15).

Box 2 : № 10 + № 12 + № 13 + № 15



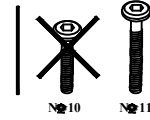
B

STEP
13

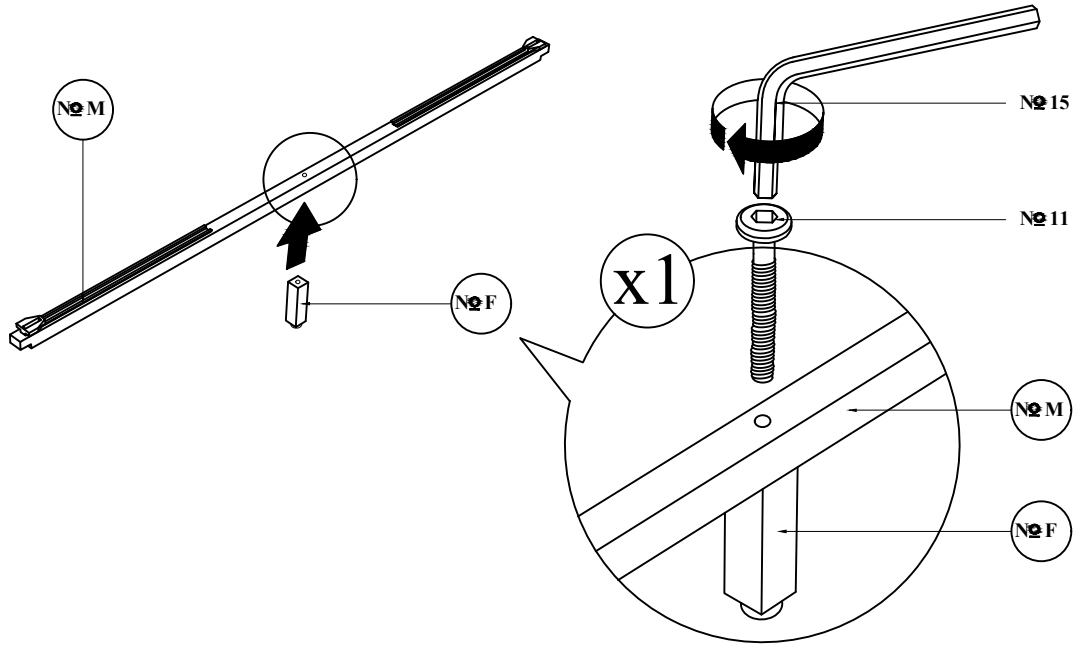
Attach Support Leg 2 (F) to the Drawer support Rail (M). Tighten JCBC Bolt (11) using an Allen Key (15)

Box 1 : № F

Box 2 : № M + № 11 + № 15



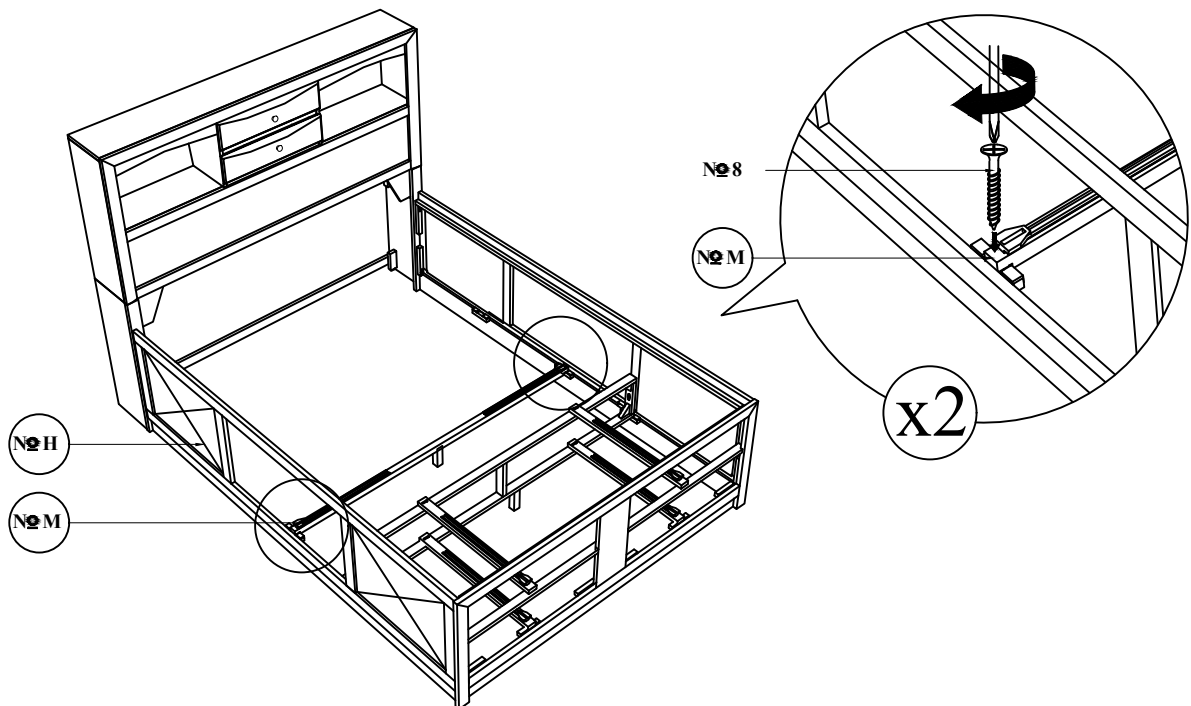
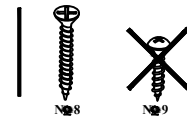
Footboard
Structure
Assembly
Installation



STEP
14

Attach Drawer Support Rail (M) to the Side Rail (H) using CSK Screw (8) and tighten with Screw Driver. (Not included)

Box 2 : № 8



B

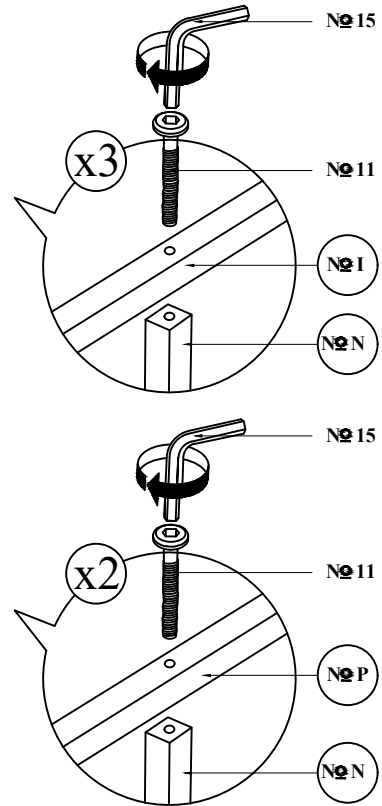
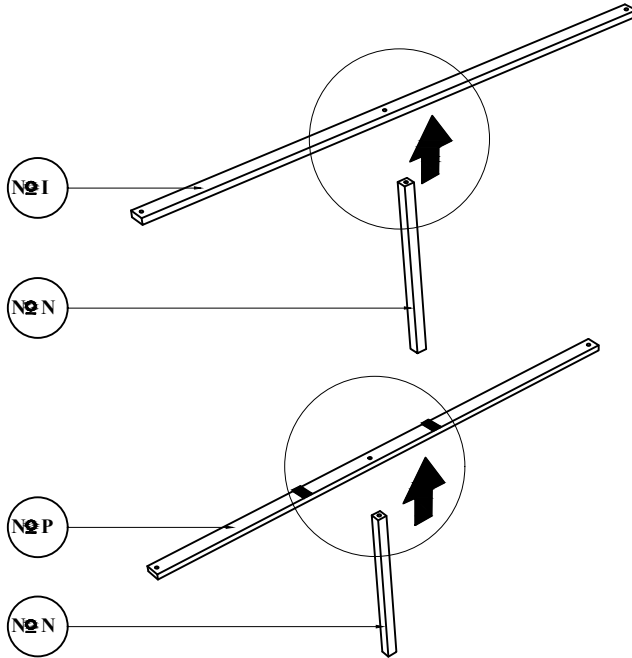
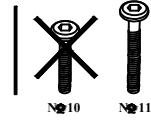


Footboard
Structure
Assembly
Installation

STEP
15

Attach Bed Slat (I) & (P) to the Bed Slat Support (N) . Tighten JCBC Bolt (11) using an Allen Key (15). (Loosen and tighten the Adjuster to stability of bed)

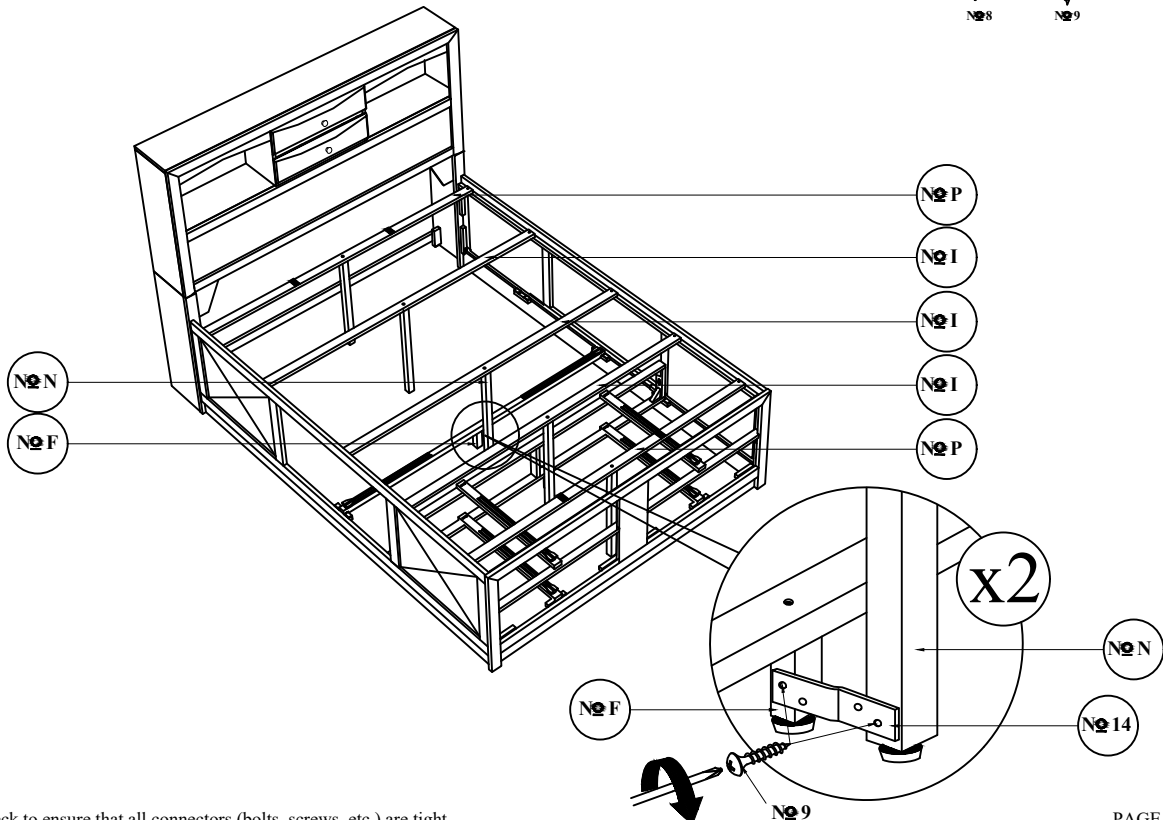
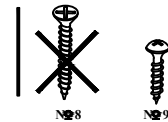
Box 2 : № I + № N + № O + № P + № 11 + № 15



STEP
16

Attach Z-Bracket (14) to the Bed Slat Support (N) and Support Leg 2 (F). Use Panhead Screw (9) and tighten with Screw Driver. (Not included)

Box 2 : № 9 + № 14



NOTE : Periodically check to ensure that all connectors (bolts, screws, etc.) are tight.

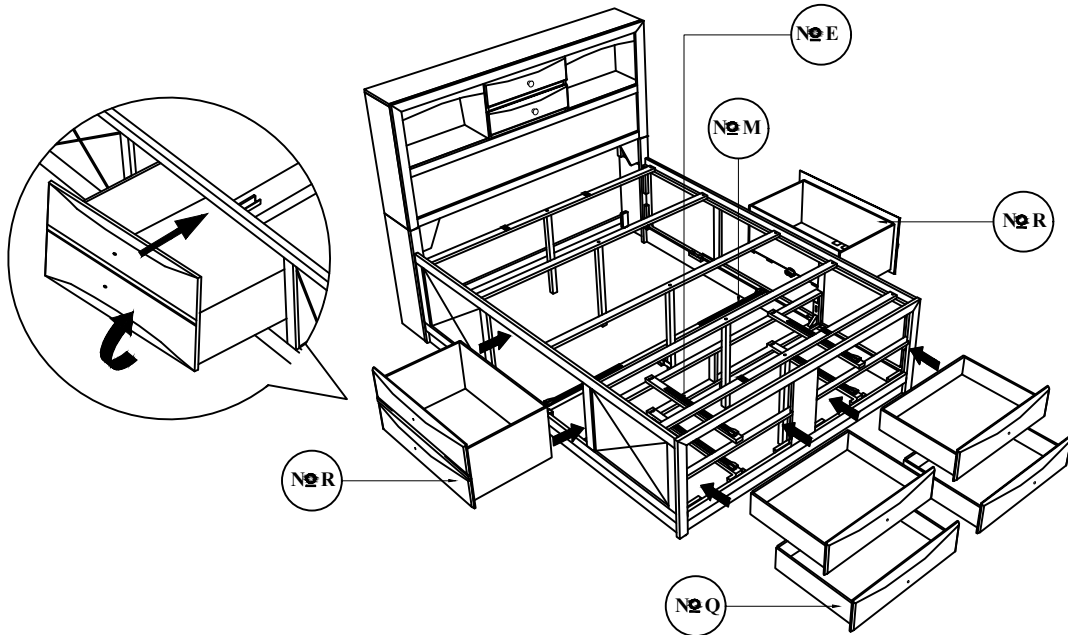
C

STEP 17

Slide Drawer - 2 (R) into position over Draer Support Rail -1 (M). Then slide Drawer - 1 (Q) into position over Drawer Support Rail - 2 (E). Adjust the adjuster for alignment of drawer box.

Box 3 : № Q + № R

Conceal Panel & Drawer Assembly Installation



STEP 18

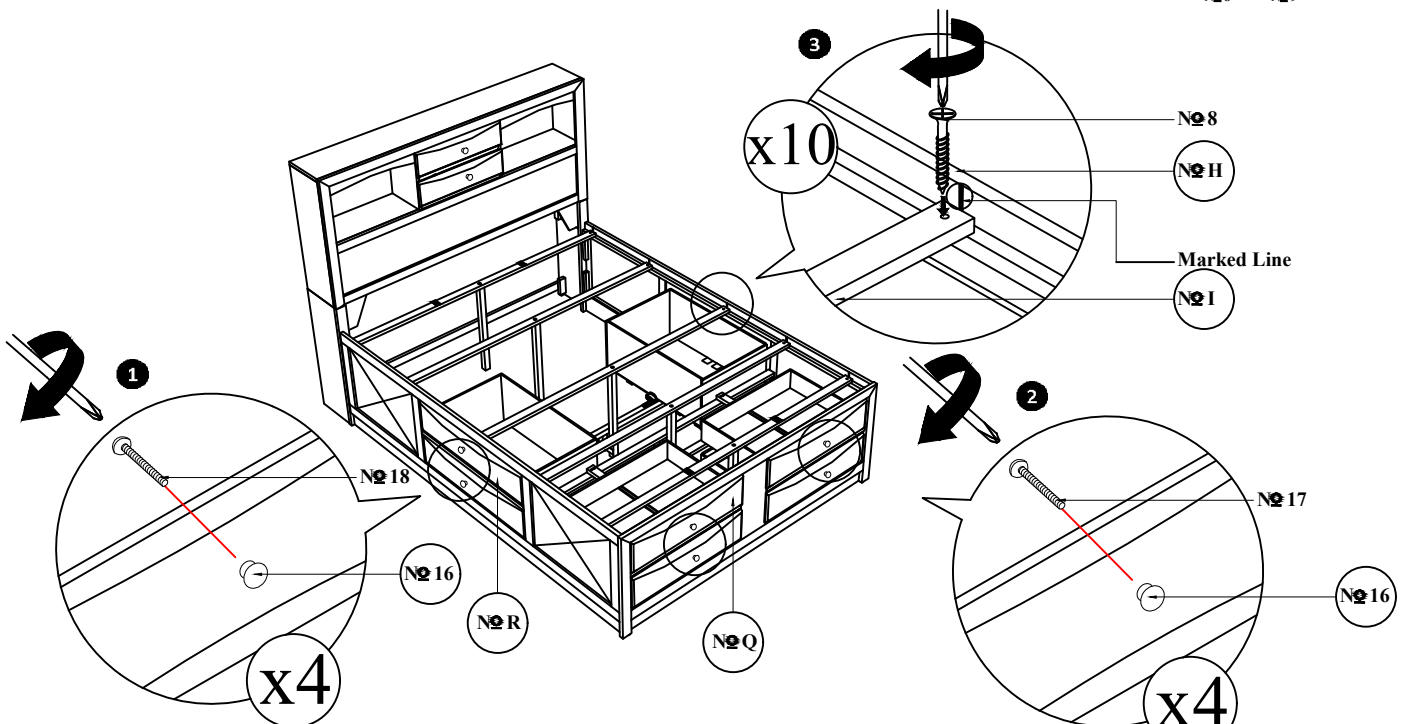
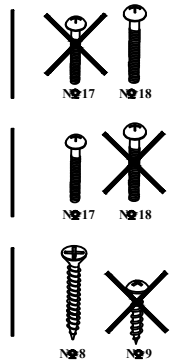
Install the handle (16) in the front of drawer (R). Tighten the Handle Screw (18) using Screw Driver. (Not included)

Install the Handle (16) in front of drawer (Q). Tighten the Handle Screw (17) using Screw Driver. (Not included)

Then Push together the Slide Rail (H) with Bed Slat (I) & tighten with CSK Screw (8) by using Screw Driver. (Make sure the center of Bed Slat (I) is aligned with the marked line as shown).

Box 2 : № 8

Box 3 : № 16 + № 17 + № 18

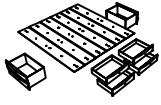


NOTE : Periodically check to ensure that all connectors (bolts, screws, etc.) are tight.

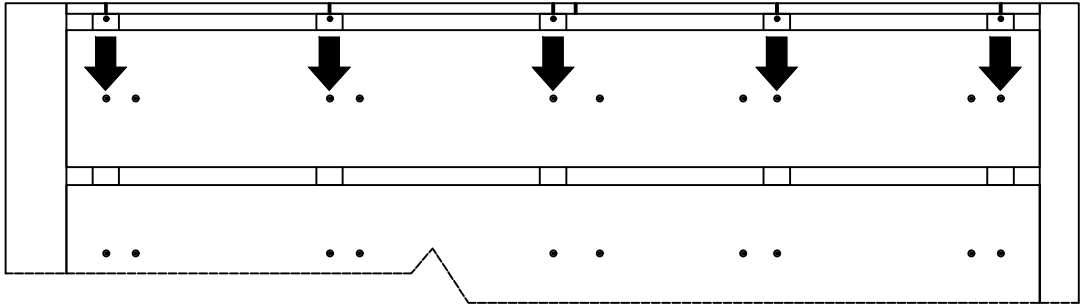
C

STEP
19

Attention! Screw on this markings on concealed panel slat (K).



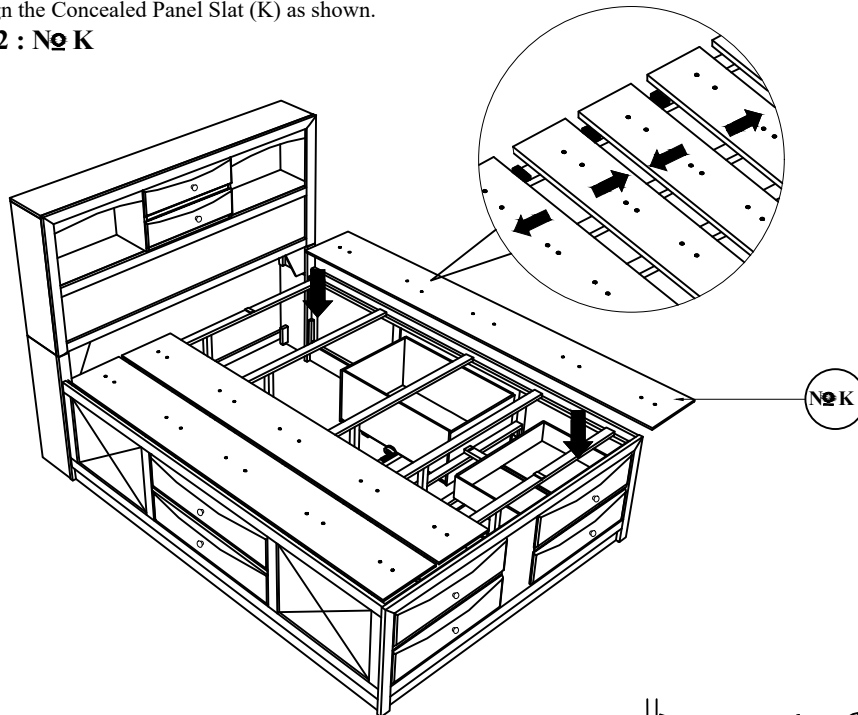
Conceal
Panel & Drawer
Assembly
Installation



STEP
20

Realign the Concealed Panel Slat (K) as shown.

Box 2 : № K



STEP
21

Attach Concealed Panel (K) over the Bed Slat (I) using Panhead Screw (9) and tighten with Screw Driver. (Not included)

Box 2 : № 9

