

# ASSEMBLY INSTRUCTIONS

**CROWNMARK**  
MODEL :B4398-1  
DRESSER

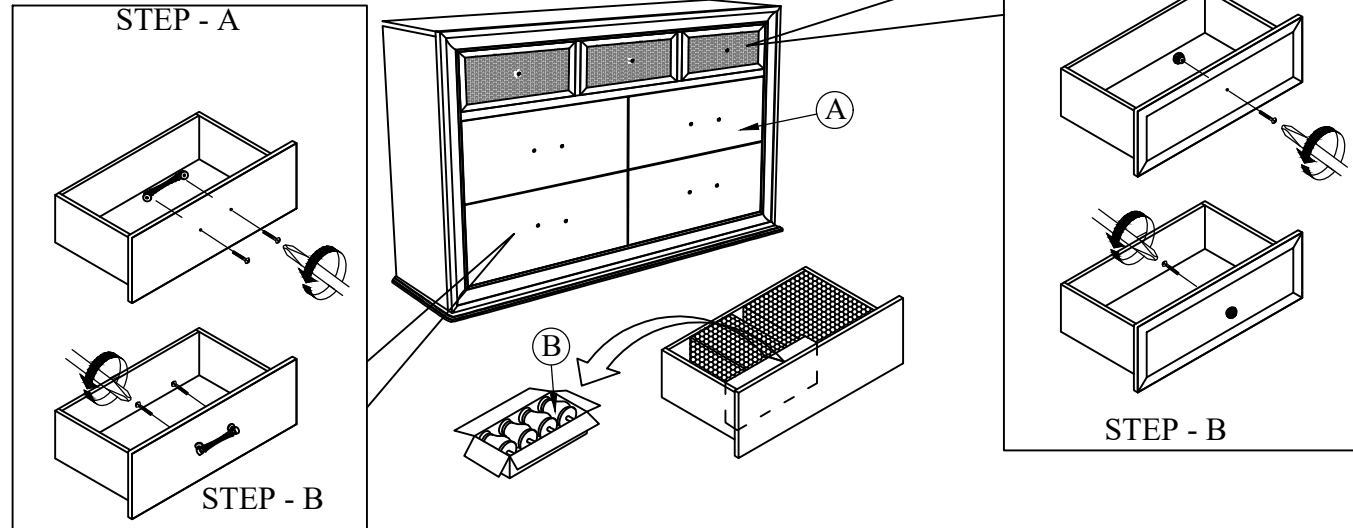
(Box 1)  
BOX OF DRESSER

No	ITEM	Qty
A	DRESSER	1 PC
B	BUN FOOT	4 PCS

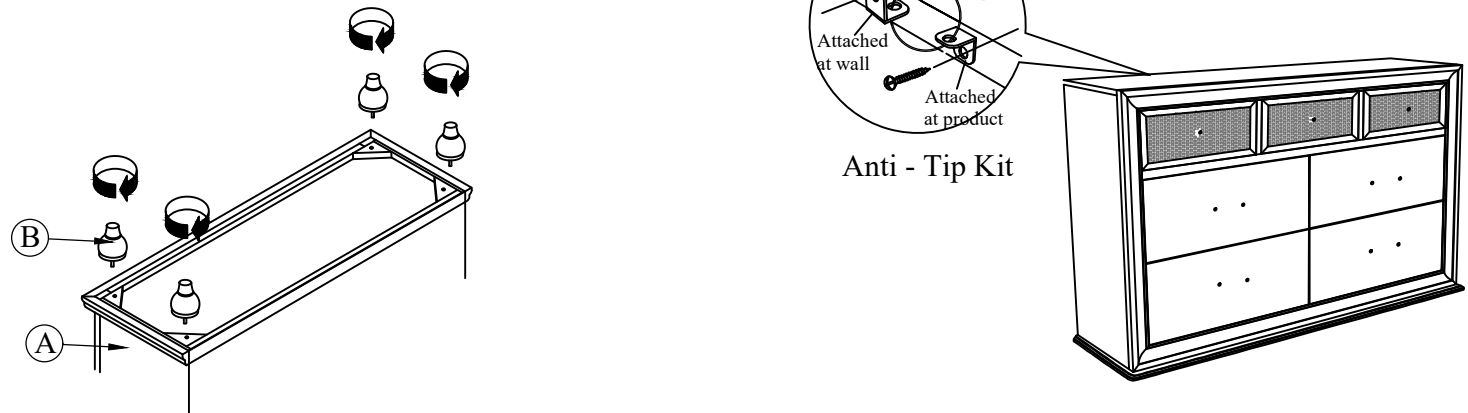
(Box 1)  
HARDWARE LIST

No	ITEM	Qty
1	Tipping Restraint	1 PC

**STEP 1 :** Remove handle using a Philips head screw driver as shown in illustration STEP - A. Re-install the handle as per diagram STEP - B. Repeat STEP - A STEP - B until handle are attached correctly. THE HARDWARE IS LOCATED IN THE PACKING ITEM THE ANTI-TIPPING HARDWARE IS LOCATED IN THE TOP RIGHT DRAWER.



**STEP 2 :** Put the casegood body upright to down position on the clean surface. Turning the bun foot (B) in clockwise position for tighten.



NOTE : Periodically check to ensure that all connectors (bolts, screws, etc.) are tight.