

ASSEMBLY INSTRUCTION

CROWN MARK
MODEL : B4680-1 & B4680-11
DRESSER & MIRROR

(Box 1)
 BOX OF MIRROR

NO	ITEM	Qty
A	MIRROR	1 PC
B	MIRROR BACK SUPPORT	2 PCS

(Box 2)
 BOX OF DRESSER

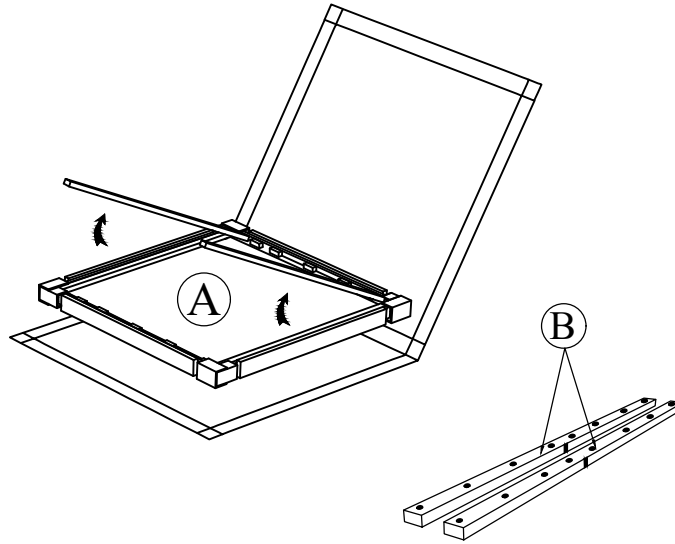
NO	ITEM	Qty
C	DRESSER	1 PC

(Box 1)
 HARDWARE LIST

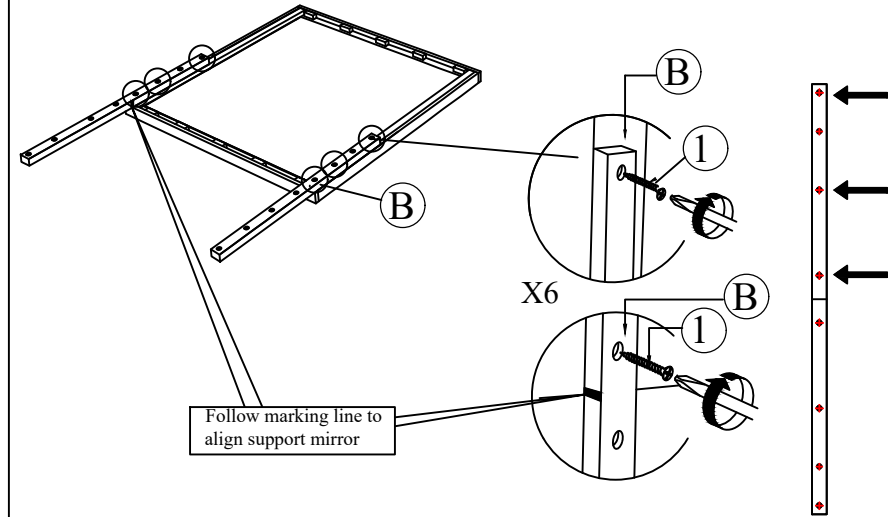
NO	ITEM	Qty
1	Csk M4 x 32mm Rbw	12 PCS

STEP 1 : Take out mirror support (B) from the carton box.

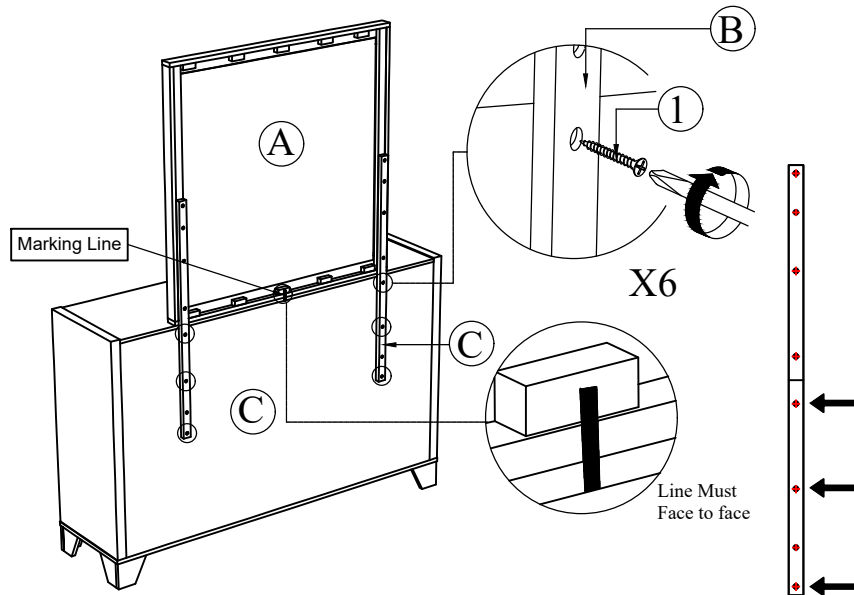
THE HARDWARE IS LOCATED IN THE PACKING ITEM



STEP 2 : Attach Mirror Support Rail (B) to Mirror (A) as shown and tighten with CSK Screw (1).



STEP 2 : Tighten the Flat Head Chipboard Screw (1) as shown.



COMPLETED
ASSEMBLY

NOTE : Periodically check to ensure that all connectors (bolts, screws, etc.) are tight.