



ASSEMBLY INSTRUCTIONS

**MODEL : B4690-2
NIGHT STAND**

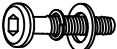

(BOX 1)

BOX OF NIGHT STAND

NO	ITEM	QTY
	NIGHT STAND	
A		1 pc
	BUN FOOT	
B		4 pcs

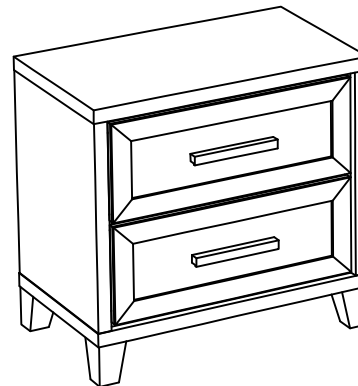
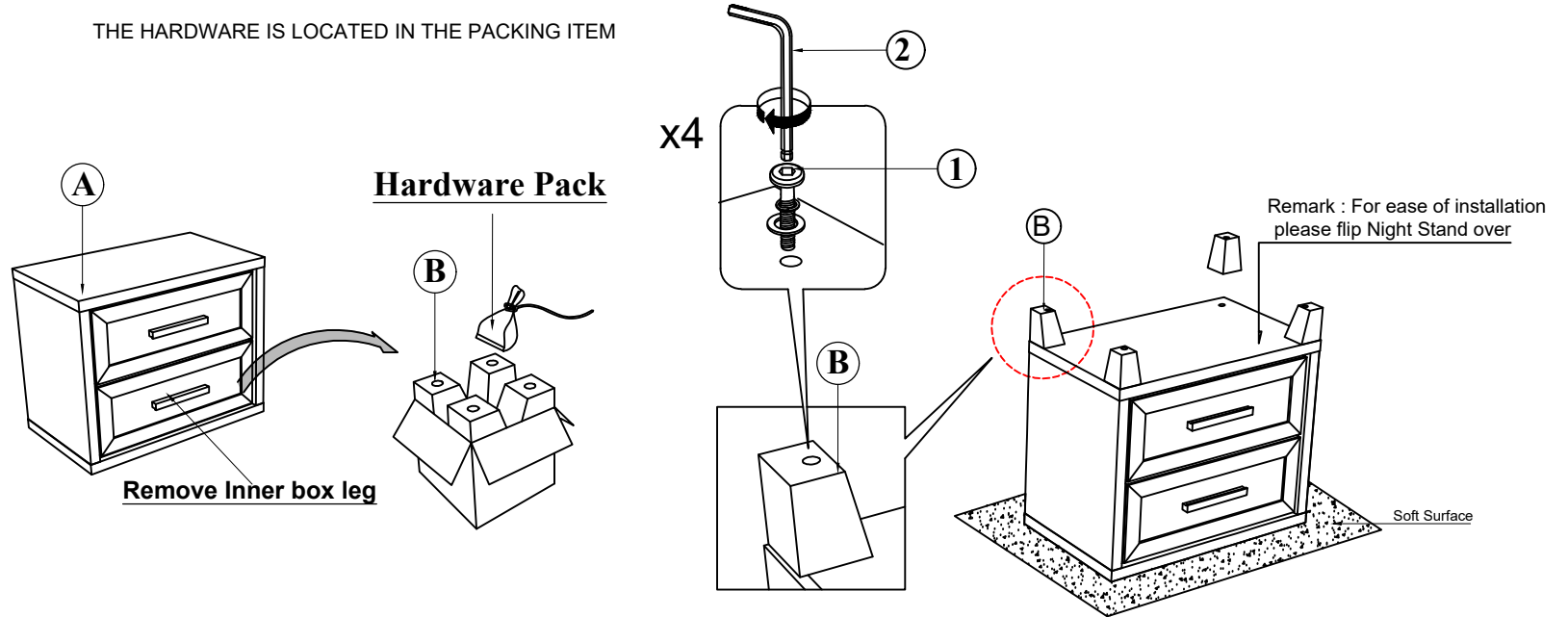
(BOX 1)

HARDWARE LIST

NO	ITEM	QTY
	JCBC Bolt m6x50mm Blk	
1		4 pcs
	Allen Key m4x110mm With Ball Blk	
2		1 pc

STEP 1 : Open the bottom drawer and take out the Bunfoot carton (B). Assemble the Bun Foot (B) with JCBC Bolt (1) and securing with Allen Key (2) as shown.

THE HARDWARE IS LOCATED IN THE PACKING ITEM



COMPLETED ASSEMBLY

NOTE : Periodically check to ensure that all connectors (bolts, screws, etc.) are tight.