

ASSEMBLY INSTRUCTIONS

**MODEL : B4690-4
CHEST**

**(BOX 1)
BOX OF CHEST**

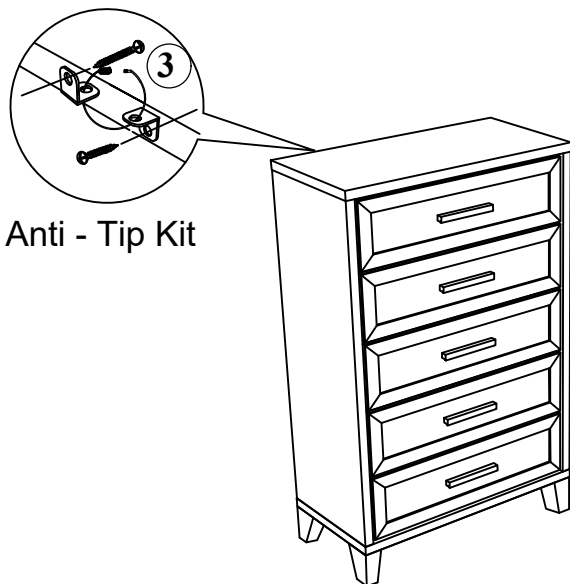
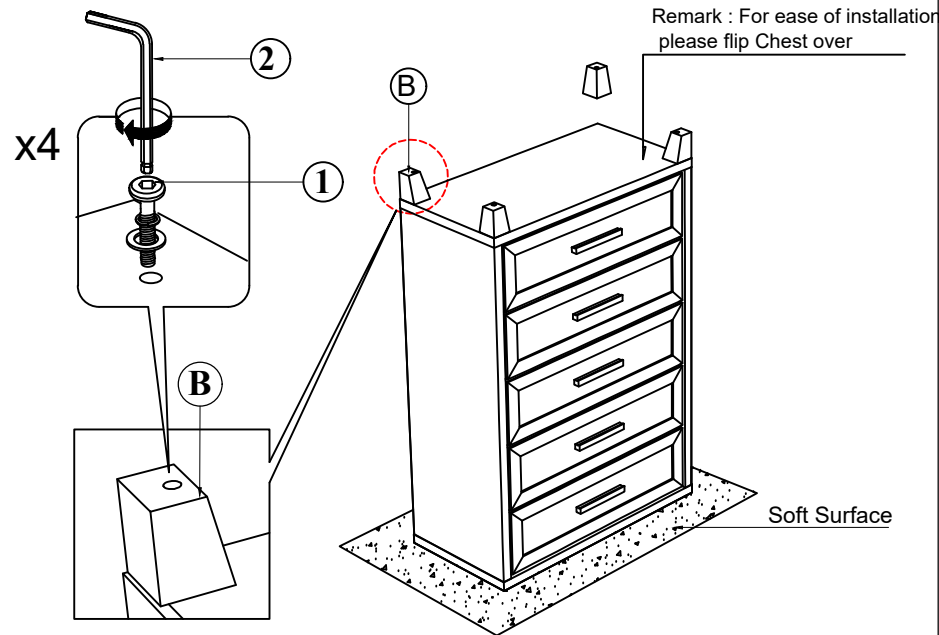
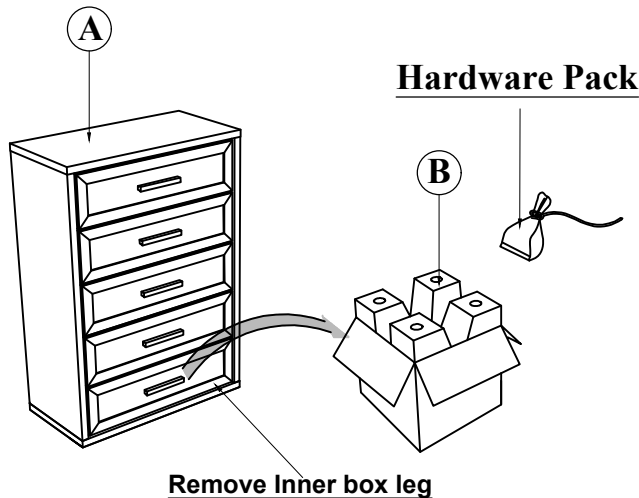
NO	ITEM	QTY
A	CHEST	1 pc
B	BUN FOOT	4 pcs

**(BOX 1)
HARDWARE LIST**

NO	ITEM	QTY
1	JCBC Bolt m6x50mm Blk	4 pcs
2	Allen Key m4x110mm With Ball Blk	1 pc
3	Tipping Restraint	1 pc

STEP 1 : Open the bottom drawer and take out the Bunfoot carton (B). Assemble the Bun Foot (B) with JCBC Bolt (1) and securing with Allen Key (2) as shown.

THE HARDWARE IS LOCATED IN THE PACKING ITEM
THE ANTI- TIPPING HARDWARE IS LOCATED IN THE TOP
DRAWER .



COMPLETED ASSEMBLY

NOTE : Periodically check to ensure that all connectors (bolts, screws, etc.) are tight.