

ASSEMBLY INSTRUCTIONS

**CROWNMARK :
B4710-1 & B4710-11
DRESSER & MIRROR**

(BOX 1)

BOX OF MIRROR

NO	ITEM	QTY
A	MIRROR	1 PC

(BOX 2)

BOX OF DRESSER

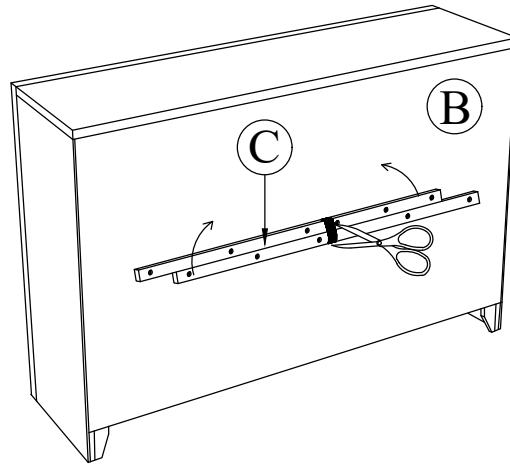
NO	ITEM	QTY
B	DRESSER	1 PC
C	MIRROR SUPPORT	2 PCS

(BOX 1)

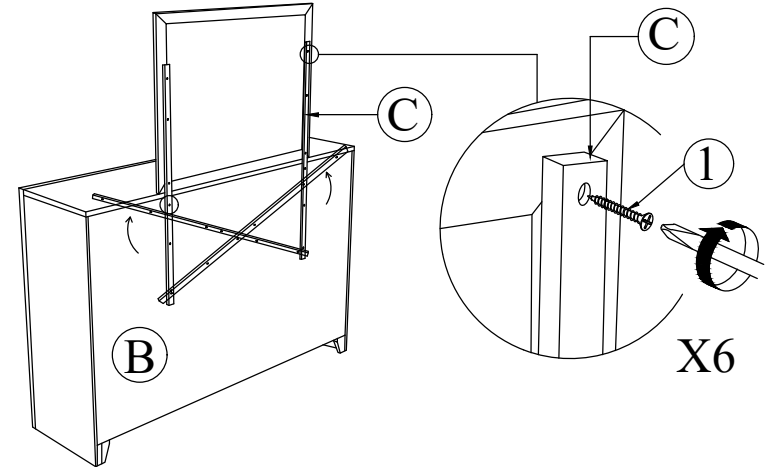
BOX OF MIRROR - HARDWARE LIST

NO	ITEM	QTY
1	FLAT HEAD CHIPBOARD SCREW m4 x 32mm RBW	10 PCS

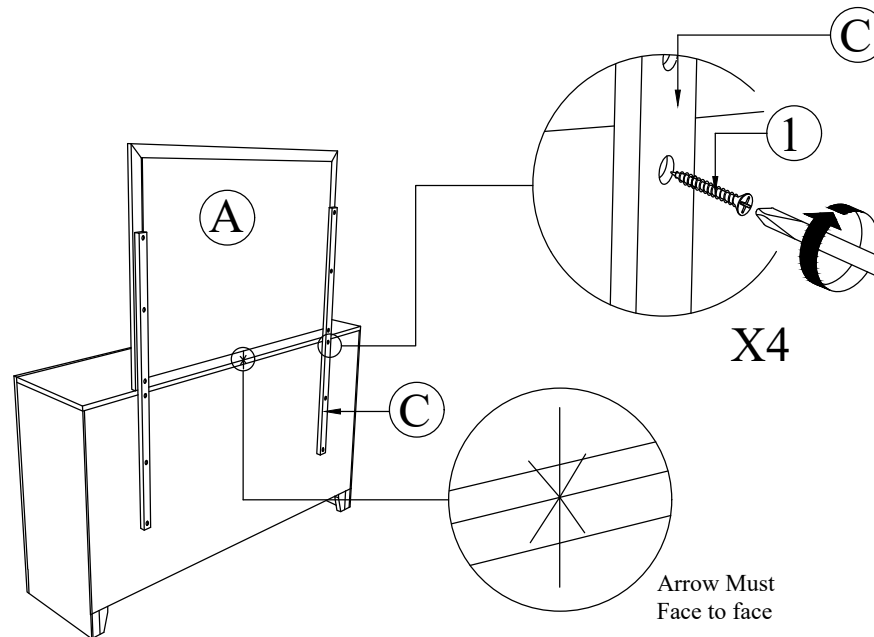
STEP 1 : Cut of the Raffia String from the back of DRESSER (B).



STEP 2 : Turn the MIRROR SUPPORT RAIL (C) upward at the back of DRESSER (B), then Tighten with CSK SCREW (D). Place the MIRROR FRAME (A) on the top of DRESSER (B). Tighten with Flat Head Chipboard Screw (1).



STEP 3 : Tighten the Flat Head Chipboard Screw (1) as shown.
THE HARDWARE IS LOCATED IN THE PACKING ITEM



**COMPLETED
ASSEMBLY**

NOTE : Periodically check to ensure that all connectors (bolts, screws, etc.) are tight.