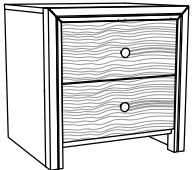


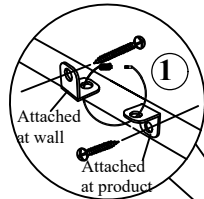
**CROWNMARK : B4710-2  
NIGHT STAND**

THE ANTI-TIPPING HARDWARE IS LOCATED IN THE TOP DRAWER.

**(BOX 1)**

BOX OF NIGHT STAND


NO	ITEM	QTY
	NIGHT STAND	
A		1 PC

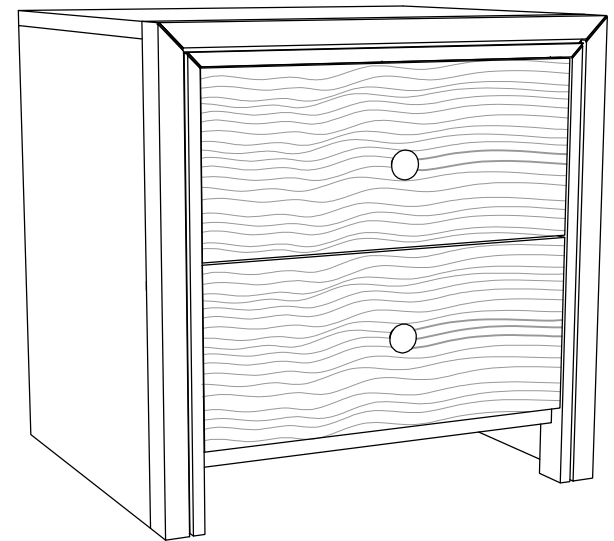
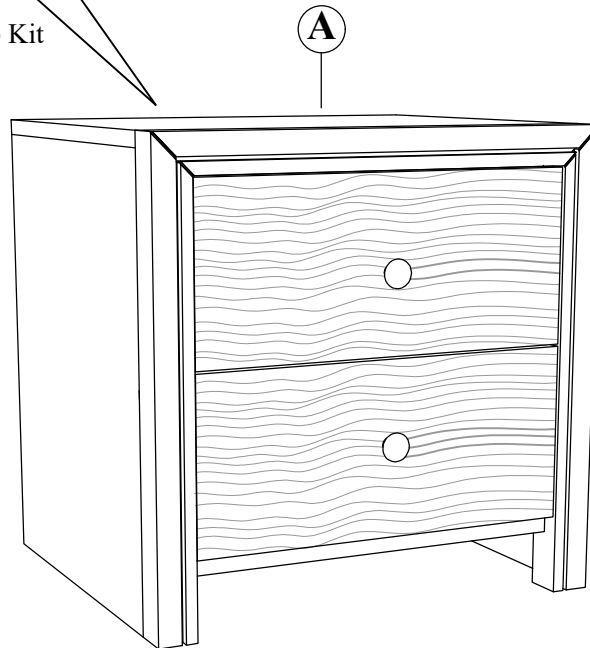


Anti - Tip Kit

**(BOX 1)**

HARDWARE LIST

NO	ITEM	QTY
	Tipping Restraint	
1		1 PC



**COMPLETED  
ASSEMBLY**

NOTE : Periodically check to ensure that all connectors (bolts, screws, etc.) are tight.