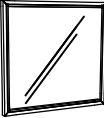


# ASSEMBLY INSTRUCTIONS

**CROWNMARK :**  
**B4710-1/B4715-1**  
**B4710-11/B4715-11**  
**DRESSER & MIRROR**

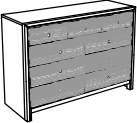

**(BOX 1)**

BOX OF MIRROR

NO	ITEM	QTY
	MIRROR	
A		1 PC

**(BOX 2)**

BOX OF DRESSER

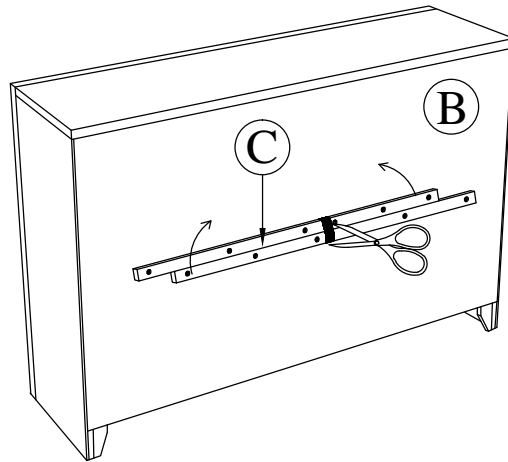
NO	ITEM	QTY
	DRESSER	
B		1 PC
	MIRROR SUPPORT	
C		2 PCS

**(BOX 1)**

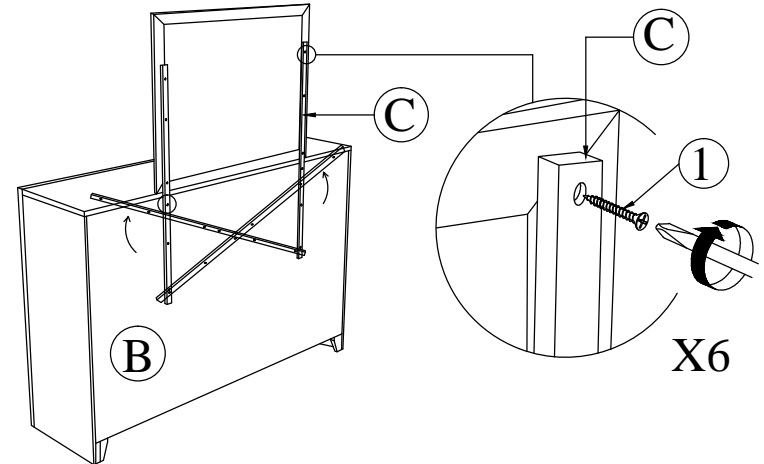
BOX OF MIRROR

NO	ITEM	QTY
1	FLAT HEAD CHIPBOARD SCREW m4 x 32mm RBW 	10 PCS

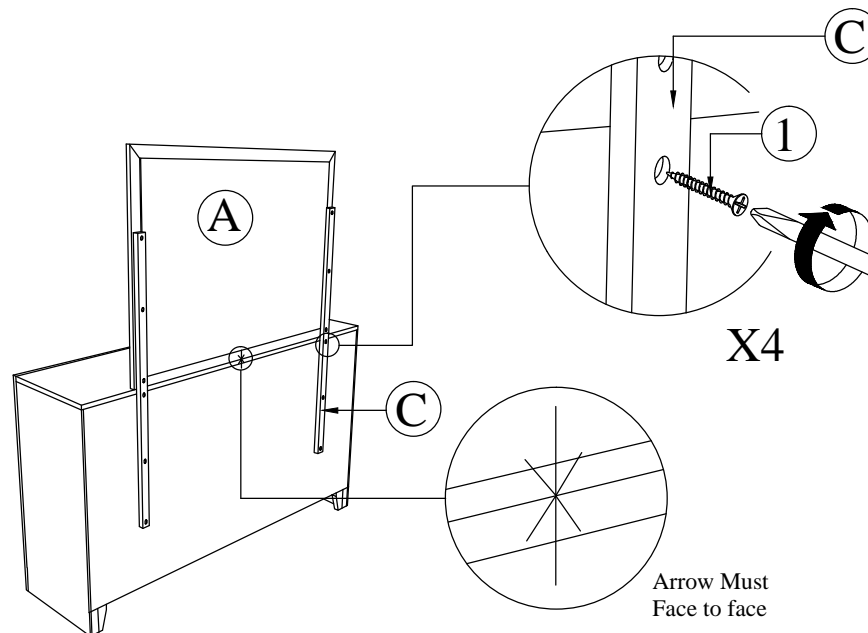
**STEP 1 :** Cut of the Raffia String from the back of DRESSER ( B ).



**STEP 2 :** Turn the MIRROR SUPPORT RAIL (C) upward at the back of DRESSER (B), then Tighten with CSK SCREW (D). Place the MIRROR FRAME (A) on the top of DRESSER (B). Tighten with Flat Head Chipboard Screw (1).



**STEP 3 :** Tighten the Flat Head Chipboard Screw (1) as shown.



**COMPLETED**  
**ASSEMBLY**

NOTE : MUST TIGHTEN SCREWS PERIODCALLY WITH USE SCREW WILL BECOME LOOSE CHECK TIGHTNESS OF ALL SCREW EVERY 6-8 WEEKS.