




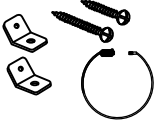
ASSEMBLY INSTRUCTIONS

CROWNMARK B4800-2 NIGHT STAND

(BOX 1) BOX OF NIGHT STAND

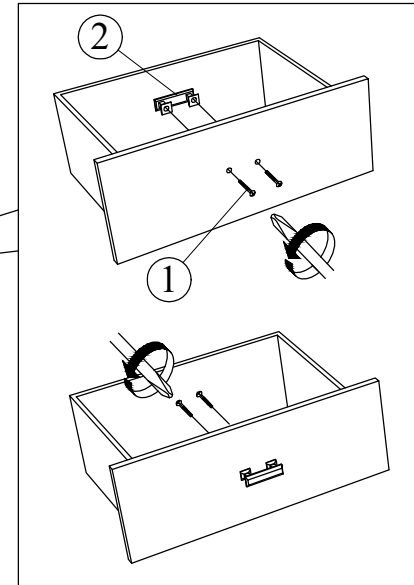
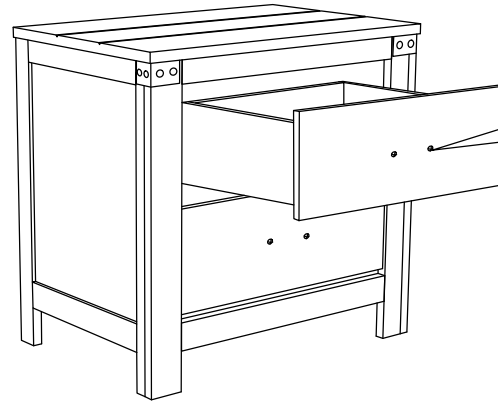
NO	ITEM	QTY
	NIGHT STAND	
A		1 PC

(BOX 1) HARDWARE LIST

NO	ITEM	QTY
1	Truss Head Machine Screw m4x30mm Blk 	4 PCS
2	HANDLE 	2 PCS
3	Tipping Restraint 	1 pc

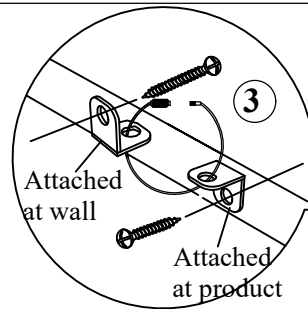
STEP 1 : Remove HANDLE (2) using a Philips head screw driver as shown in illustration STEP - A. Re-install the HANDLE (2) as per diagram STEP - B. Repeat STEP - A STEP - B until HANDLE (2) are attached correctly.

THE HARDWARE IS LOCATED IN THE PACKING ITEM
THE ANTI-TIPPING HARDWARE IS LOCATED IN THE TOP
DRAWER.



STEP - A

STEP - B



Anti - Tip Kit



COMPLETED ASSEMBLY

NOTE : Periodically check to ensure that all connectors (bolts, screws, etc.) are tight.