





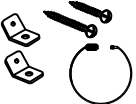
ASSEMBLY INSTRUCTIONS

CROWNMARK B4800-4 CHEST

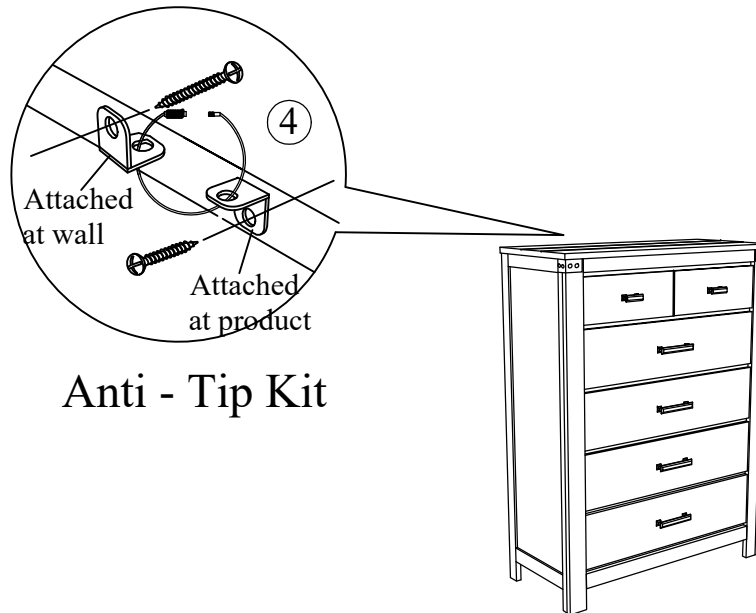
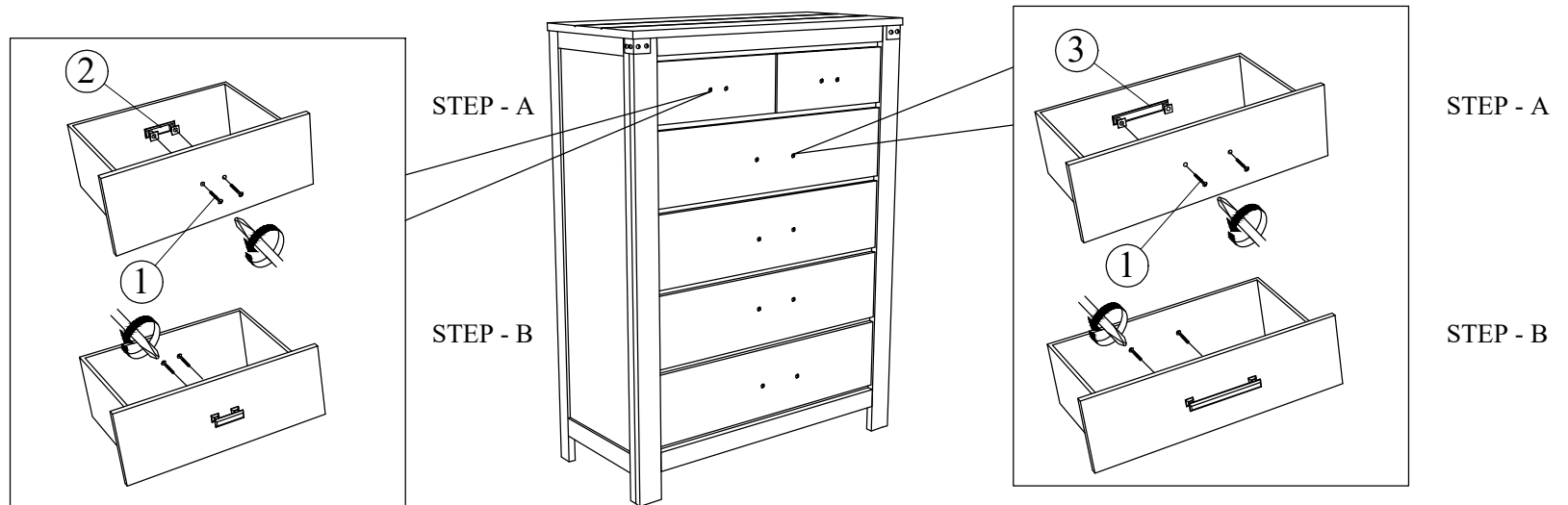
(BOX 1) BOX OF CHEST

NO	ITEM	QTY
	CHEST	
A		1 PC

(BOX 1) HARDWARE LIST

NO	ITEM	QTY
1	Truss Head Machine Screw m4x30mm Blk 	12 PCS
2	SMALL HANDLE 	2 PCS
3	LONG HANDLE 	4 PCS
4	TIPPING RESTRAINT 	1 PC

STEP 1 : Remove HANDLE (2) & (3) using a Philips head screw driver as shown in illustration STEP - A. Re-install the HANDLE (2) & (3) as per diagram STEP - B.
Repeat STEP - A STEP - B until HANDLE (2) & (3) are attached correctly.
THE HARDWARE IS LOCATED IN THE PACKING ITEM
THE ANTI-TIPPING HARDWARE IS LOCATED IN THE TOP DRAWER.



Anti - Tip Kit

COMPLETED ASSEMBLY

NOTE : Periodically check to ensure that all connectors (bolts, screws, etc.) are tight.