

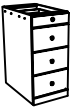
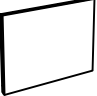



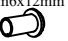
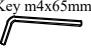
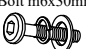




ASSEMBLY INSTRUCTIONS

CROWNMARK
MODEL: B4851BK/B4851WH-9I-BASE
B4851BK/B4851WH-9I-TOP
DRESSING TABLE


(Box 1)
 PART LIST DRESSING TABLE

No	ITEM	Qty
A	Center Drawer Dressing Table 	1 pc
B	Dressing Side Panel (L) 	1 pc
C	Side Drawer Dressing Table (R) 	1 pc
D	Dressing Table Back Panel 	1 pc

(Box 1)
 HARDWARE LIST (DRESSING TABLE)

No	ITEM	Qty
1	Flat Head Chipboard Screw m4x32mm Rbw 	7 pcs
2	JCN Nut m6x12mm Rbw 	2 pcs
3	Allen Key m4x65mm Blk 	1 pc
4	JCBC Bolt m6x30mm Blk 	4 pcs
5	Wood Dowel 8mmx20mm 	4 pcs
6	Handle (Top Drawer Only) 	2 pcs
7	Truss Head Machine Screw m4x35mm Blk 	2 pcs
8	Door Bubble D7mmx1.5mm Transparent 	9 pcs

(Box 2)
 PART LIST DRESSING TABLE GLASS

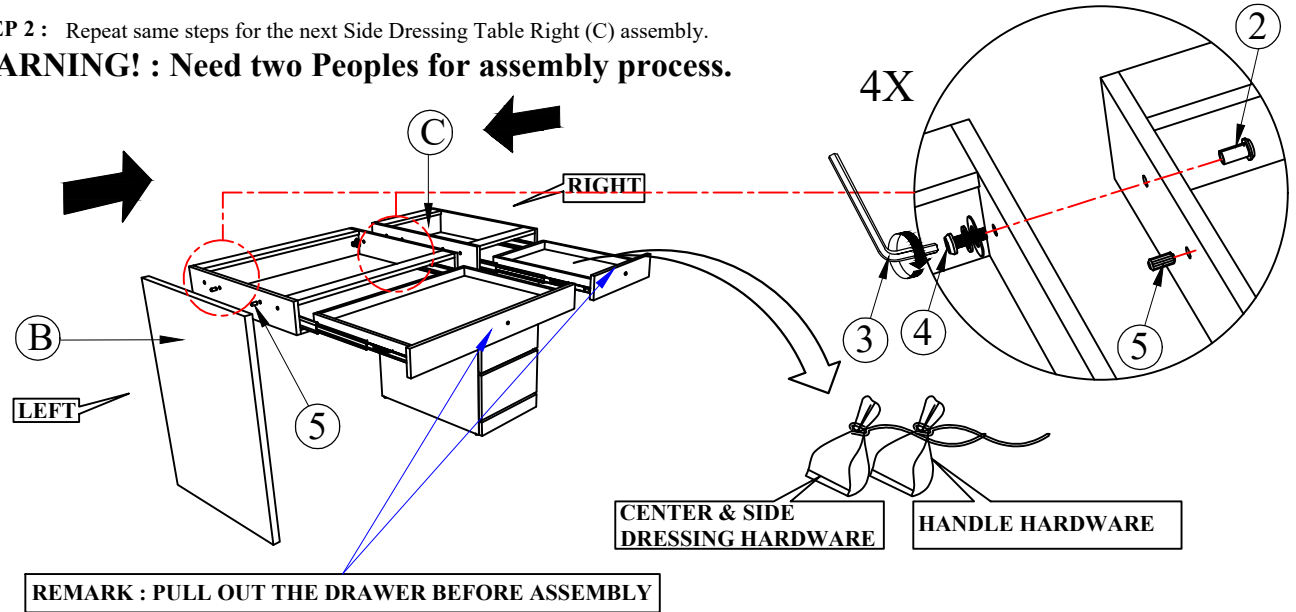
No	ITEM	Qty
E	Dressing Table Top Glass 	1 pc

REMARKS:
 THE HARDWARE IS LOCATED IN THE PACKING ITEM

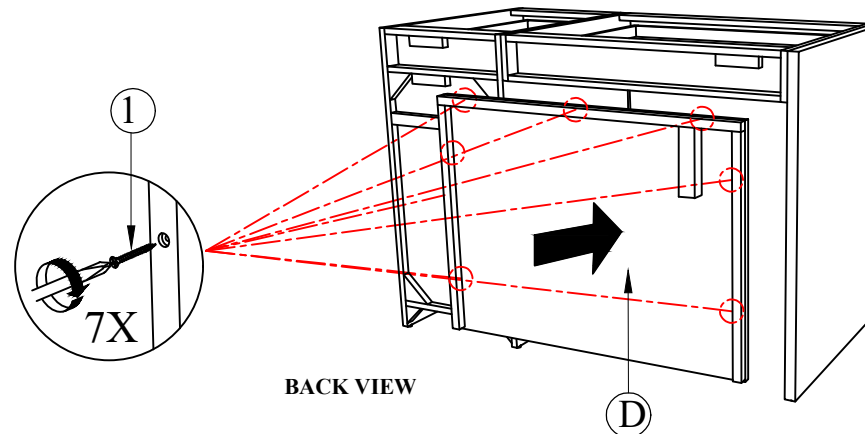
STEP 1 : Insert dowel (5) to Center Dressing Table (A) as shown and push together Dressing Side Panel Left (B) & Side Drawer Dressing Table Right (C) with JCN Nut (2), JCBC Bolt set (4) and tighten them by using Allen key (3). (Please Do Not Fully Tighten within this steps).

STEP 2 : Repeat same steps for the next Side Dressing Table Right (C) assembly.

WARNING! : Need two Peoples for assembly process.

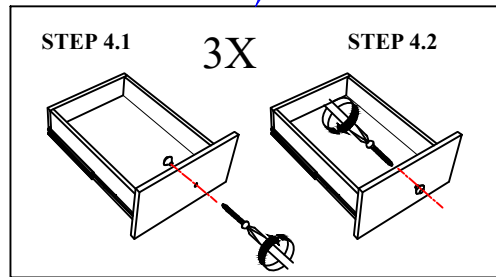
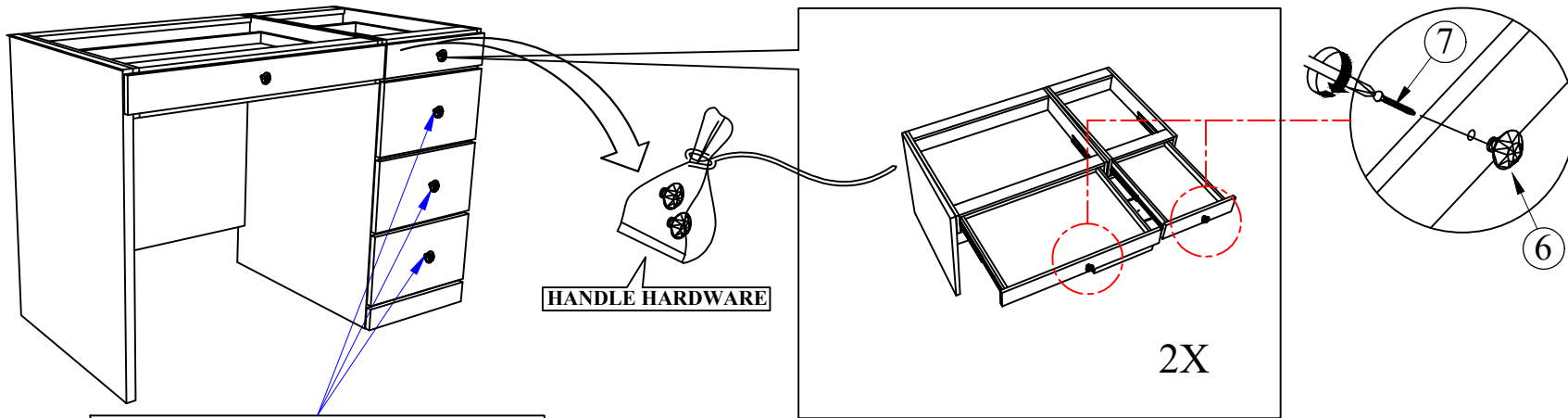


STEP 3 : Assemble the Dressing Table Back Panel (D) at the back of Dressing Table with CSK Screw (1) and tighten them by using Screw Driver. (NOT PROVIDED)

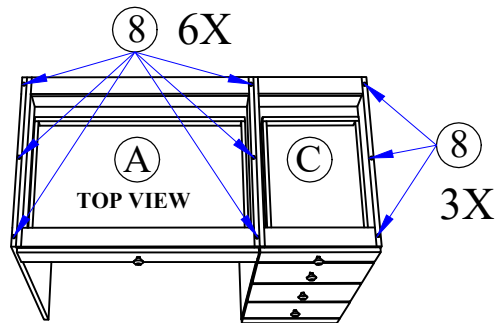


ASSEMBLY INSTRUCTIONS

STEP 4 : Take out the plastic hardware pack from Center Dressing Table (A) and assemble the Handle (6) with handle screw (7) as shown on a diagrame.



STEP 5 : Paste Door Bubble Sticker on top of L & R Side Dressing Table and Center Dressing Table as shown.



STEP 6 : Put the Dressing Top Glass (E) gently on the Door Bubble as shown.

WARNING! : Need two Peoples to place the top glass.

