
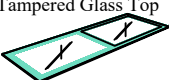
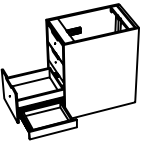
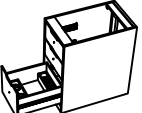

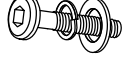


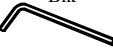




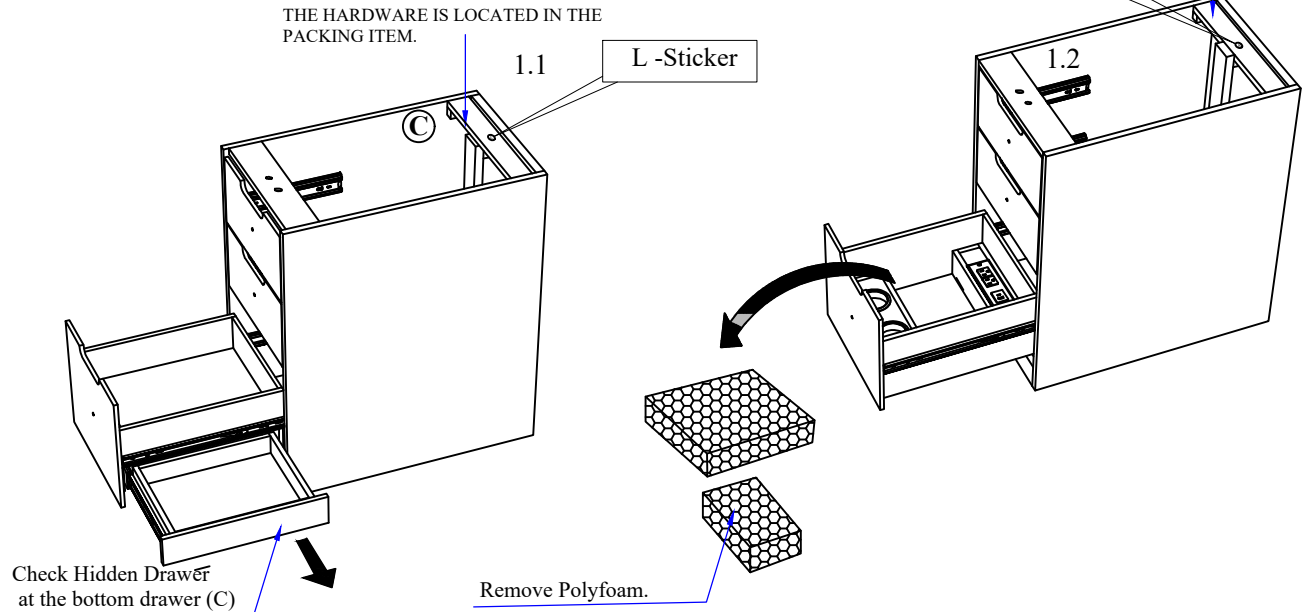
# ASSEMBLY INSTRUCTIONS

<b>CROWNMARK</b> <b>B8452WH-91-11/B8452WH-91-BASE</b> <b>/B8452WH-91-BTOP</b> <b>VANITY</b>		
(BOX 1) PART LIST VANITY CENTER DESK		
No	ITEM	Qty
A	Vanity Center 	1 pc
(BOX 2) PART LIST TAMPERED TOP GLASS		
No	ITEM	Qty
B	Tampered Glass Top 	1 pc
(BOX 3) PART LIST VANITY DRAWER		
No	ITEM	Qty
C	Vanity 3 Drawer Left 	1 pc
D	Vanity 3 Drawer Right 	1pc
E	Bottom Back Panel 	1pc

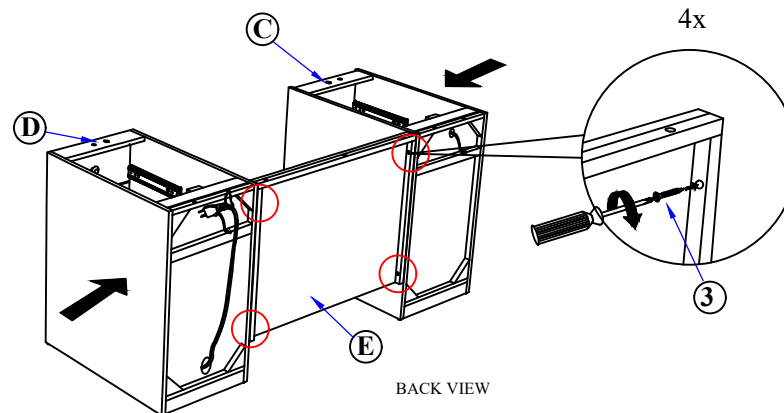
(BOX 3) HARDWARE LIST		
No	ITEM	Qty
1	JCBC M6 x 30mm 	2 pcs
2	Wood Dowel 8 x 20mm 	2 pcs
3	Flat Head Chipboard Screw M4 x 25mm 	11 pcs
4	ALLEN KEY m4x65mm Blk 	1pc
5	Adaptor 	1pc
6	Door Bubble D7mmx1.5mm Transparent 	6 pcs

REMARK:1  
THE HARDWARE IS LOCATED IN THE PACKING ITEM.

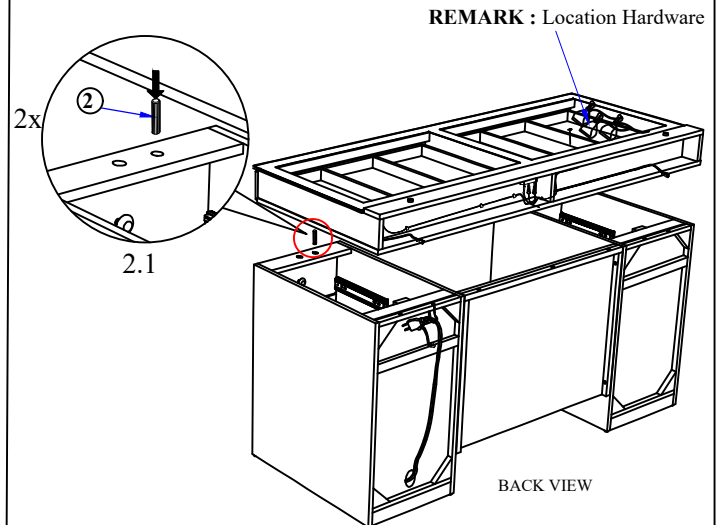
STEP 1: Remove all protection at Vanity 3 Drawer (C & D), open bottom drawer (D) and take out polyfoam as shown.



STEP 2: Attach Bottom Back panel(E) between vanity 3 drawer (C & D) and secure with flat head chipboard screw(3), Then tighten with screw driver(not included) as shown.



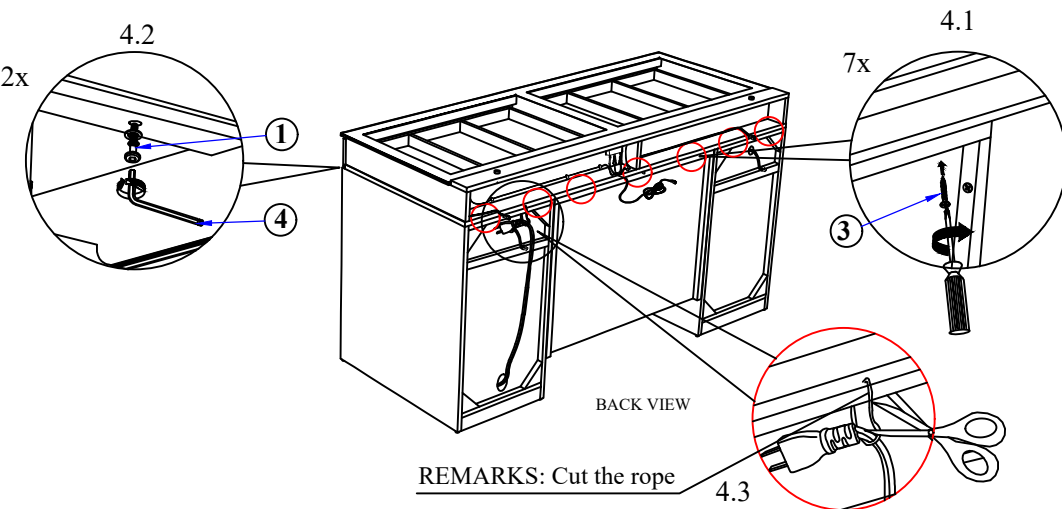
STEP 3: Insert Wood Dowel(2) at Vanity 3 Drawer (C & D) and Attach Vanity Center(A) as shown.



NOTE : Periodically check to ensure that all connectors (bolts, screws, etc.) are tight.

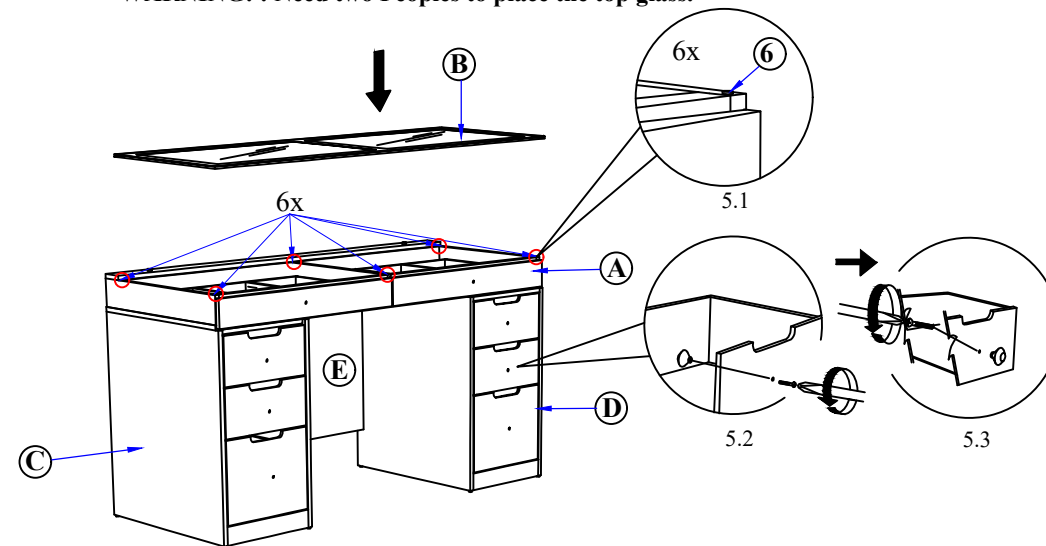
**STEP 4.1:** Attach Bottom Back panel(E) between vanity 3 drawer (C & D) and secure with flat head chipboard screw(3) ,Then tighten with screw driver(not included ) as shown.

**4.2:** Assemble Vanity Center(A) to Vanity 3 drawer (C & D)accordingly secure with JCBC (1) then Tighten with Allen Key (4) as shown.

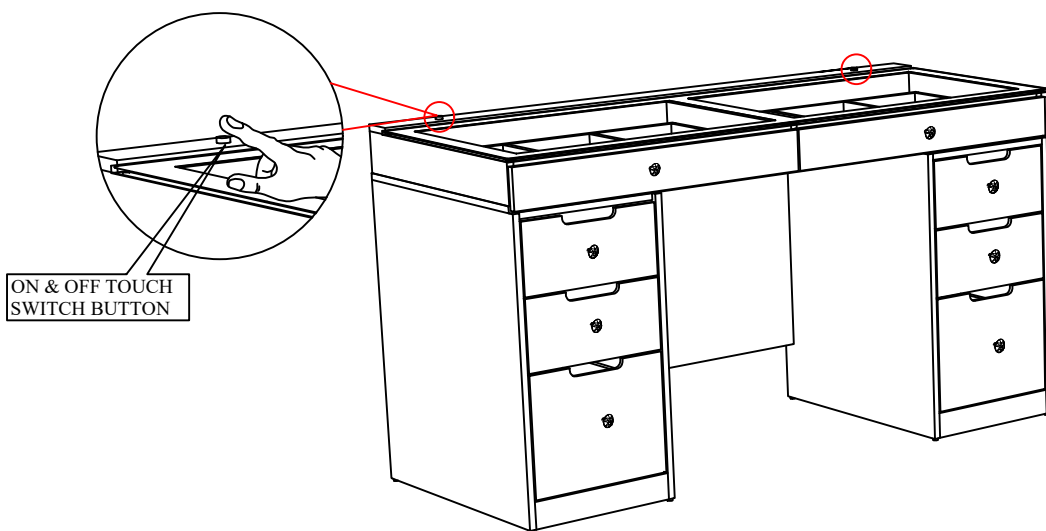
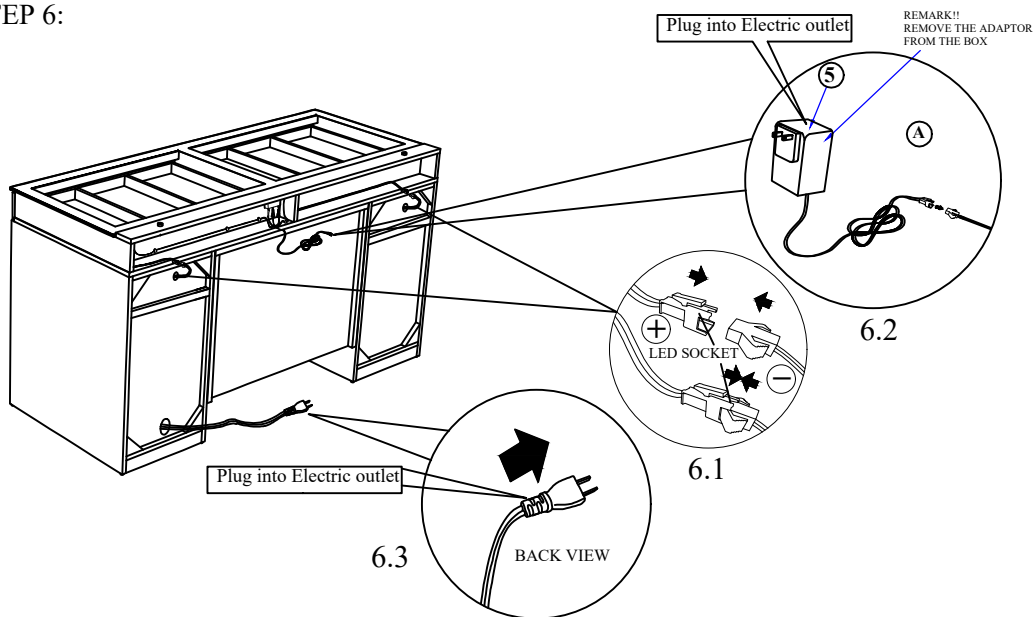


**STEP 5:** 5.1-Paste Door Bubble Sticker(6) on top of Vanity center (A) as shown.  
-Put the Top Glass (B) gently on the Door Bubble (6)and align top glass(B) parallel as shown.

**WARNING! : Need two Peoples to place the top glass.**



**STEP 6:**



**COMPLETE ASSEMBLY**

**NOTE :** Periodically check to ensure that all connectors (bolts, screws, etc.) are tight.