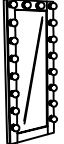


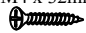




ASSEMBLY INSTRUCTIONS

**CROWNMARK
B4852WH-DB / B4852WH-DBTOP
TOP LIGHTED DRAWER BOX**

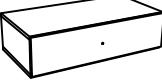


(BOX 1)
PART LIST TALL MIRROR

No	ITEM	Qty
A	Tall Mirror 	1 pc

(BOX 1)
HARDWARE LIST

No	ITEM	Qty
1	Flat Head Chipboard Screw M4 x 32mm 	14 pcs
2	Wall Plug 6mm x 31mm 	2 pcs
3	Pan Head Chipboard Screw M3.5 x 20mm 	4 pcs
4	Hook 	2 pcs
5	12V+12W+1A Adaptor x 1 With UL Certificate (US) GN 	1 pc

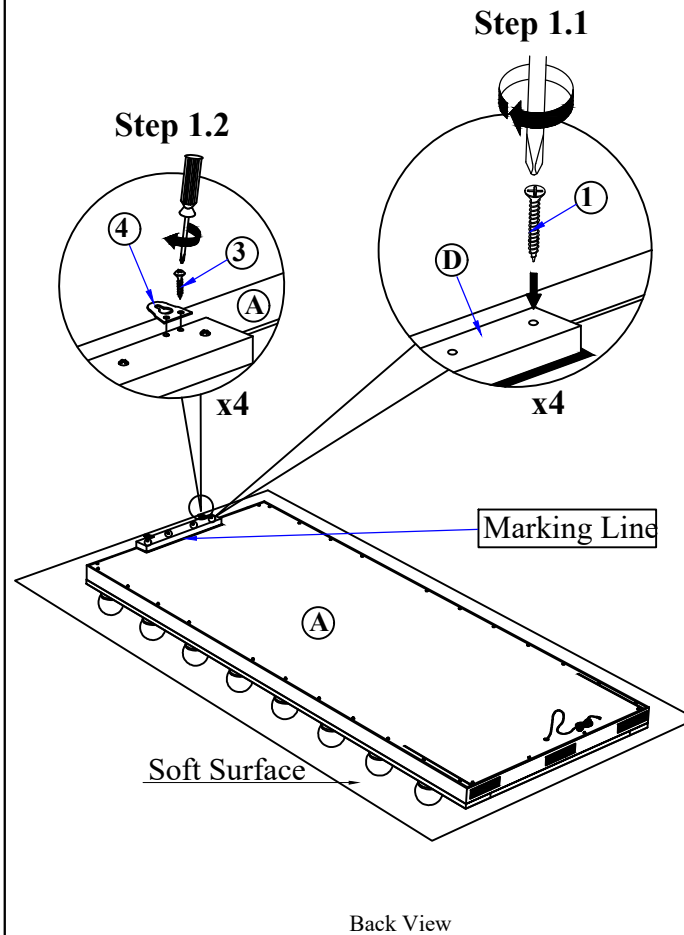
(BOX 2)
PART LIST DRAWER BOX

No	ITEM	Qty
B	Drawer Box 	1 pc
C	Tall Mirror Back Support 	2 pcs
D	Tall Mirror Back Top Support 	1 pc

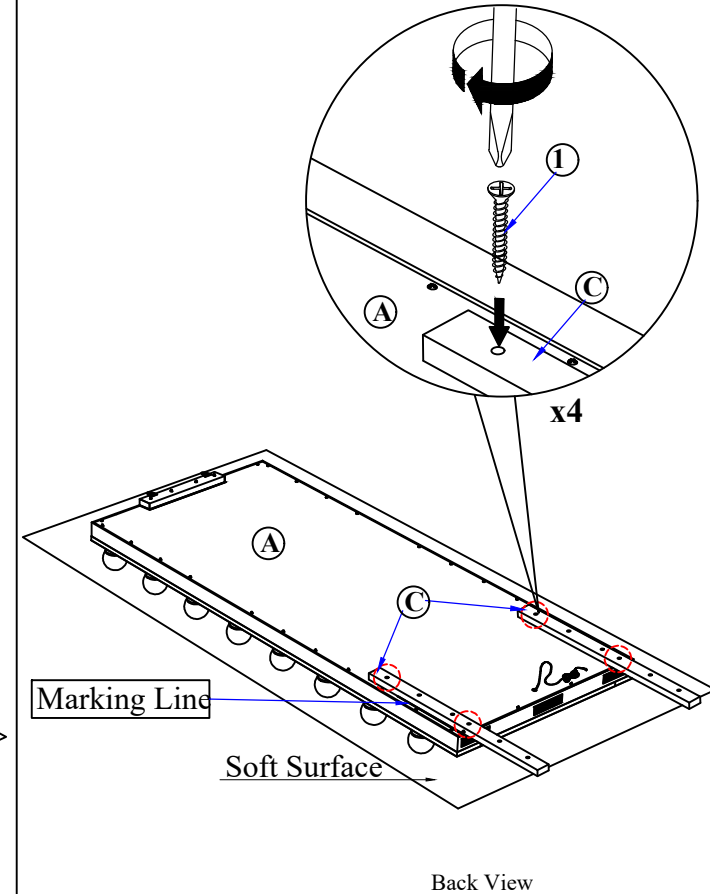
REMARK:
THE HARDWARE IS LOCATED IN THE
PACKING ITEM.

STEP 1.1: Attach Tall mirror back top support (D) and secure with Flat head chipboard screw(1), Then tighten with screw driver(not included) as shown.

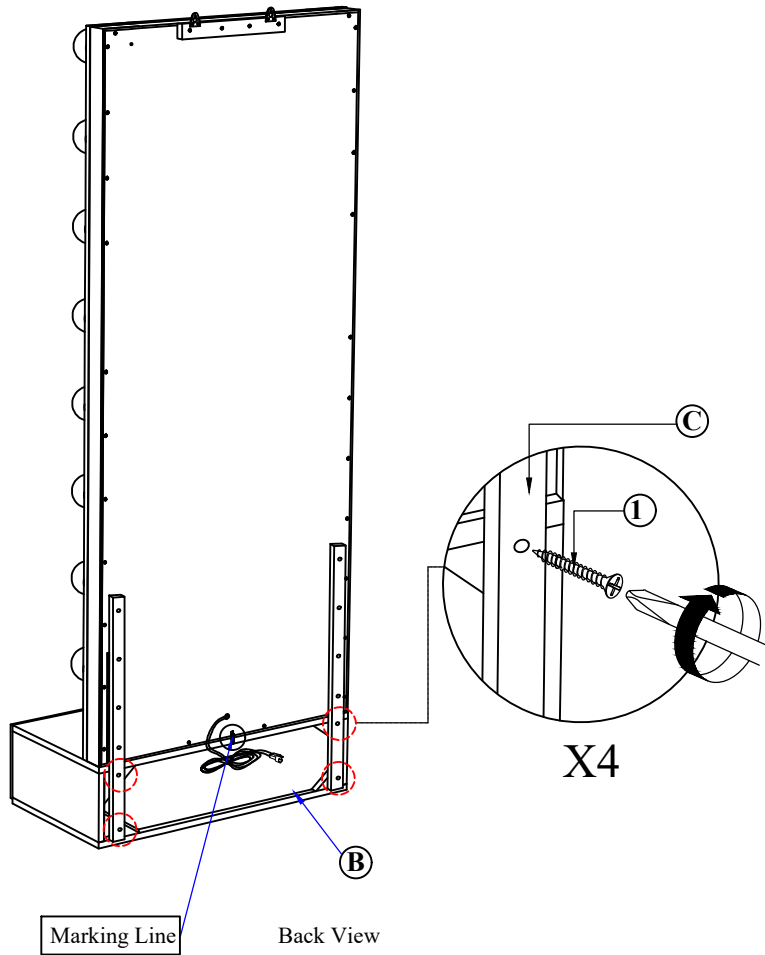
STEP 1.2: Attach Hook(4) at Back tall mirror (A) and secure with pan head chipboard screw(3), Then tighten with screw driver(not included) as shown.



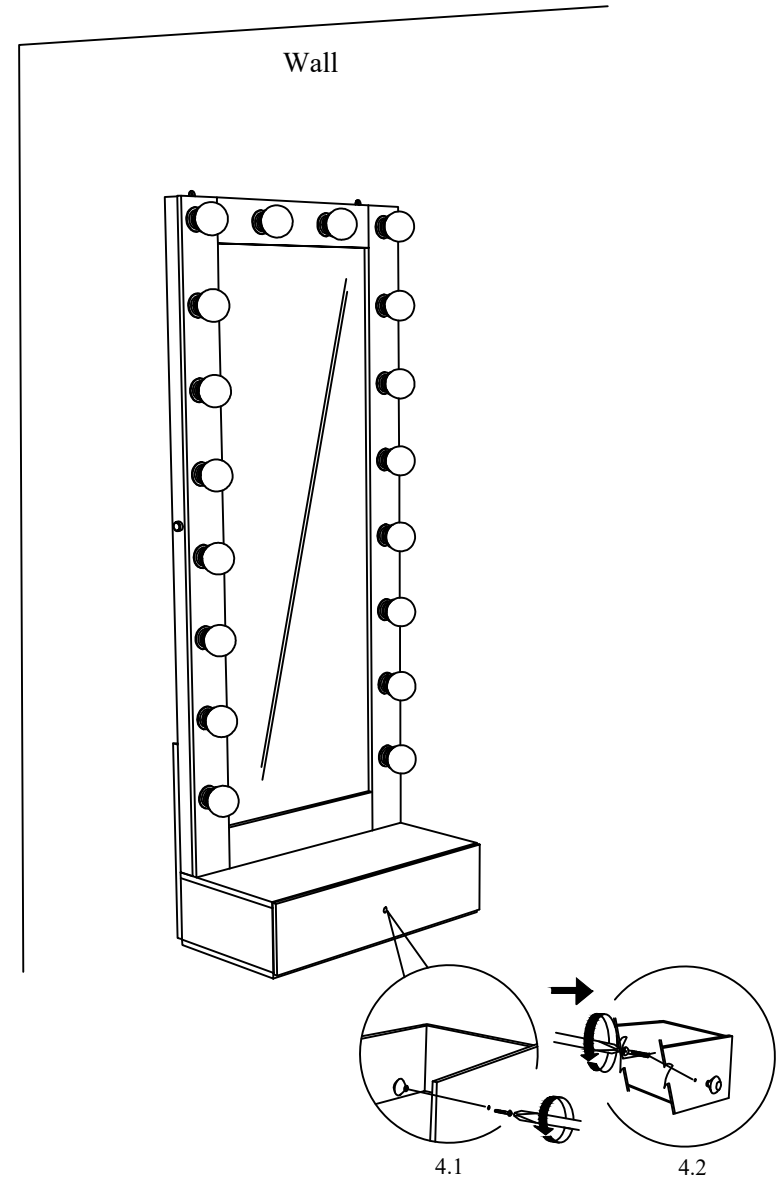
STEP 2: Please attach and align tall mirror back support (C) at the tall mirror(A). Then secure Tall Mirror back support (C) with flat head chipboard screw(1) and tighten with screw driver(not included) as shown.



STEP 3: Place the Tall Mirror (A) on top of Tall Mirror drawer Box(B).
Tighten the Flat Head Chipboard Screw (1) as shown.
WARNING! : Need two Peoples to place the Tall Mirror.

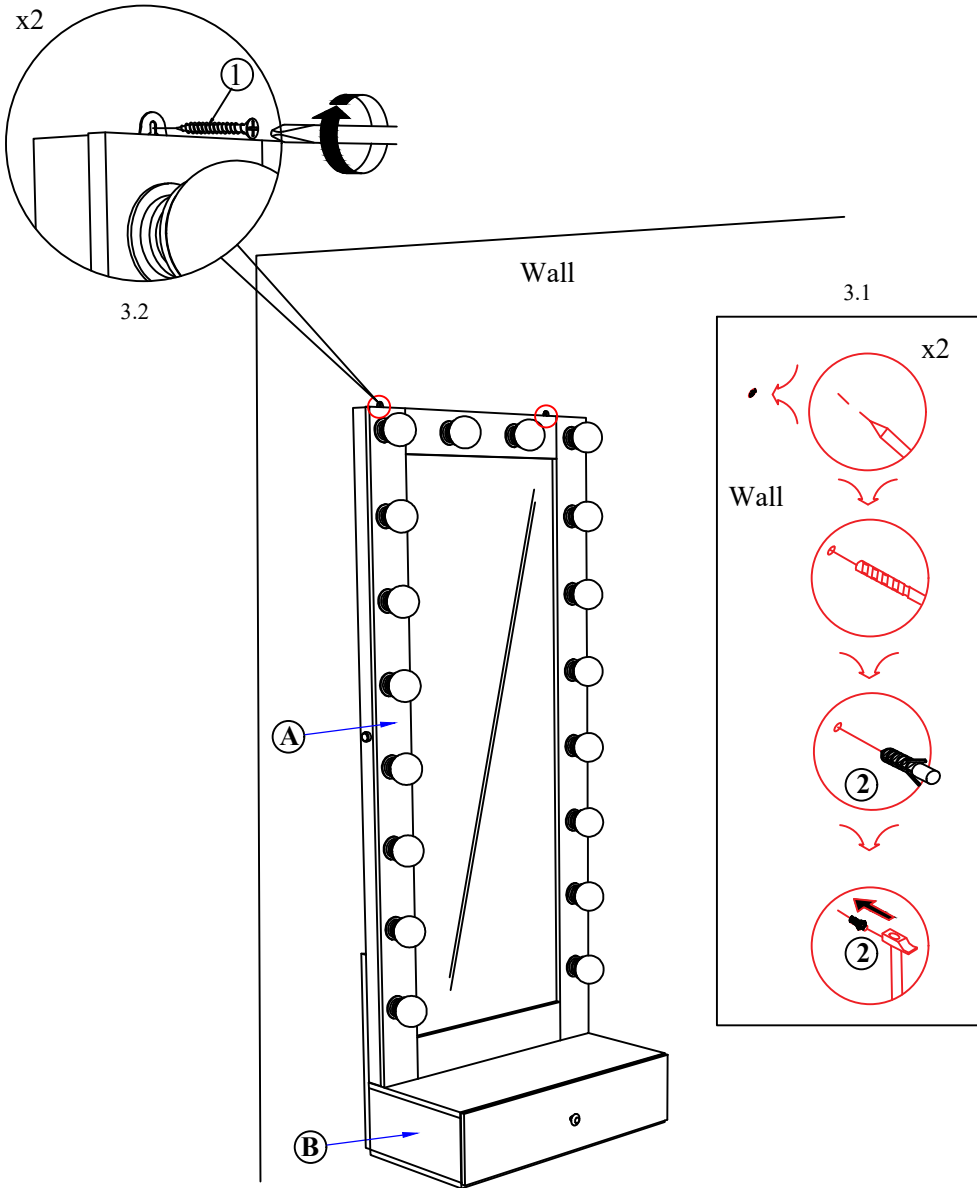


STEP 4: Align Tall mirror with drawer box touch the wall .Assemble handle as shown.
WARNING! : Need two Peoples to place the Tall Mirror.

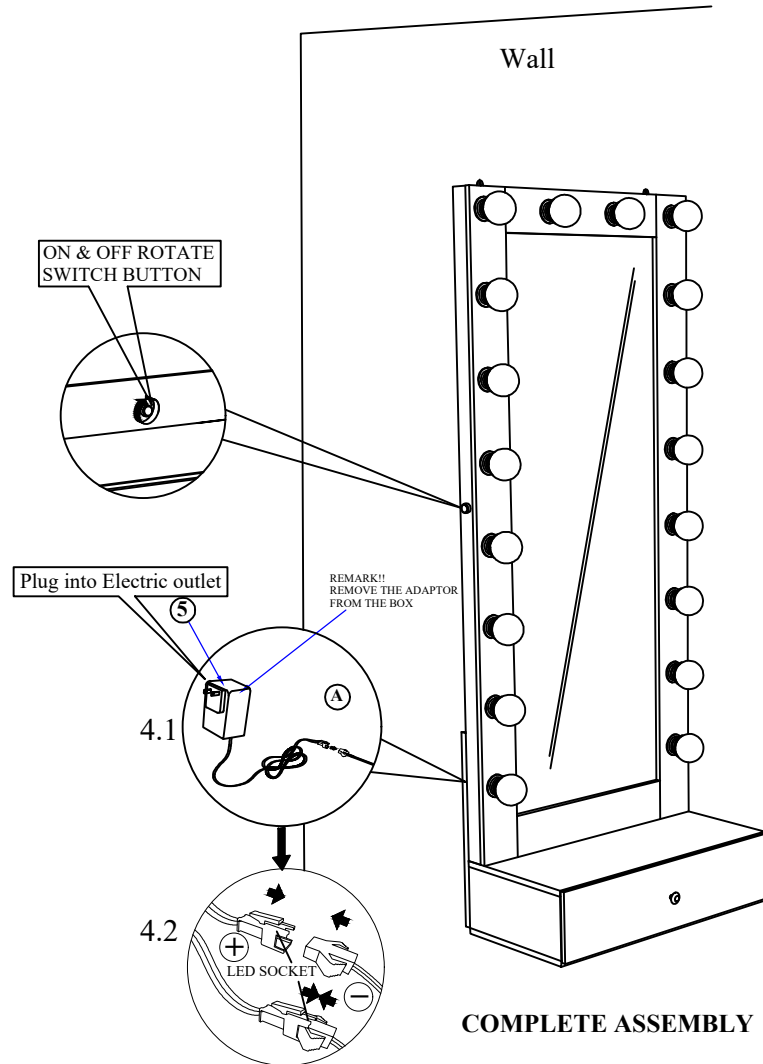


NOTE : Periodically check to ensure that all connectors (bolts, screws, etc.) are tight.

STEP 5: Please align and touch tall mirror(A) at the wall. Please marking and drill hole for Insert Wall plug(2) to the wall. Then secure Tall Mirror (A) with flat head chipboard screw(1) and tighten with screw driver(not included)as shown.



STEP 6:



NOTE : Periodically check to ensure that all connectors (bolts, screws, etc.) are tight.