






ASSEMBLY INSTRUCTIONS

B4900-11

MIRROR

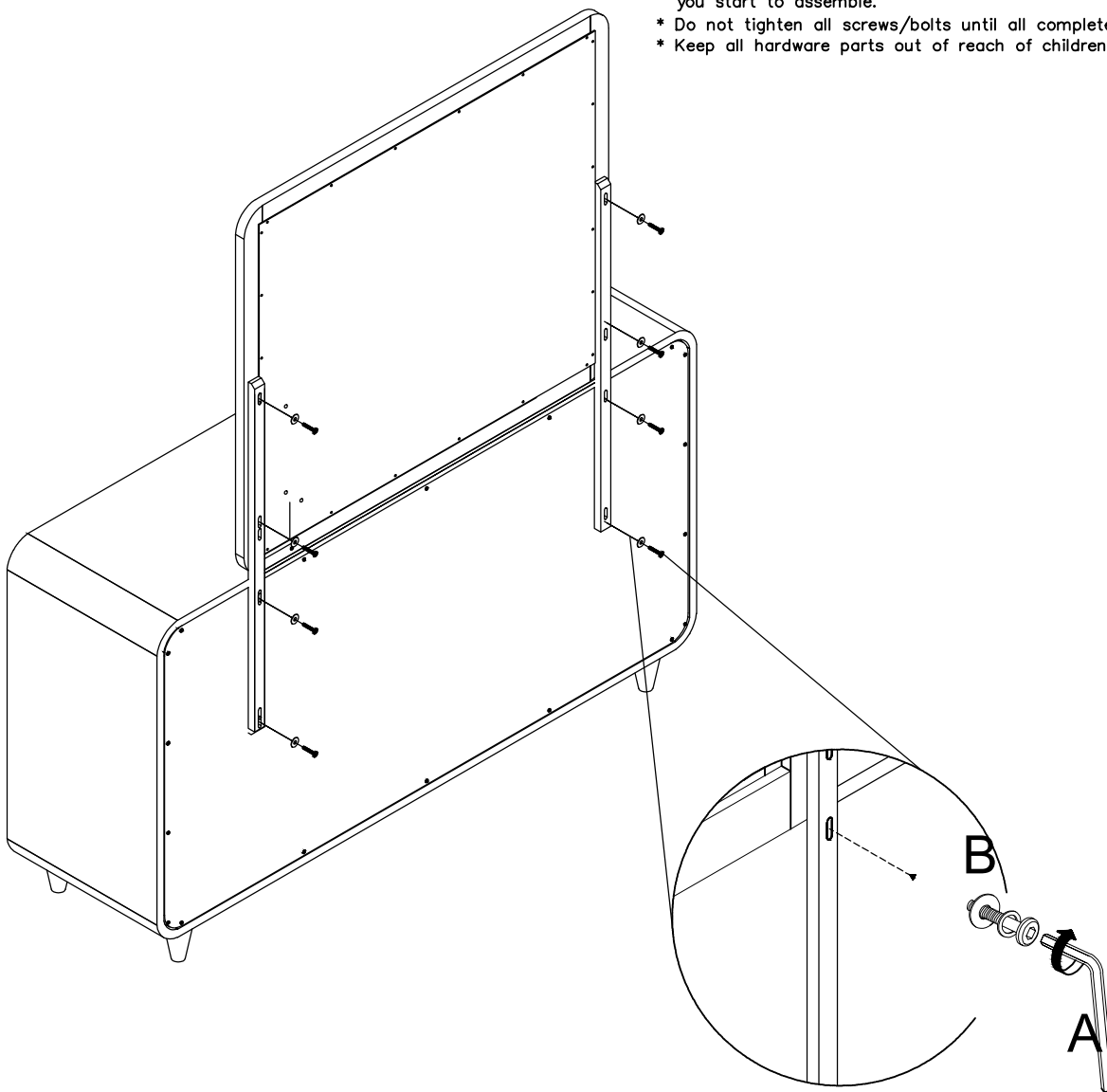
CRWN

(BOX 1) - BOX OF MIRROR							
PARTS LIST				HARDWARE LIST			
NO.	DESCRIPTION	SKETCH	QTY	NO.	DESCRIPTION	SKETCH	QTY
1	MIRROR		1	A	JCBC (M6 x 35mm) W/FLAT WASHER & SPRING WASHER		8
2	MIRROR SUPPORT		2	B	ALLEN KEY (M4)		1

(BOX 2) - BOX OF DRESSER			
PARTS LIST			
NO.	DESCRIPTION	SKETCH	QTY
3	DRESSER		1

IMPORTANT NOTE :

- * Place all wooden parts on a clean and smooth surface such as a rug or carpet to avoid the parts from being scratched.
- * Check to be sure that you have all parts and hardware.
- * Remove all wrapping materials, including staples & packing straps before you start to assemble.
- * Do not tighten all screws/bolts until all completely assembled.
- * Keep all hardware parts out of reach of children.



COMPLETE

PERIODICALLY CHECK TO ENSURE THAT ALL CONNECTORS(BOLTS,SCREWS,ETC.)ARE TIGHT
THE ANTI TIPPING HARDWARE IS LOCATED AT THE TOP RIGHT DRAWER OF DRESSER

THE HARDWARE IS LOCATED IN THE PACKING ITEMS