









ASSEMBLY INSTRUCTIONS

B4900-DESK

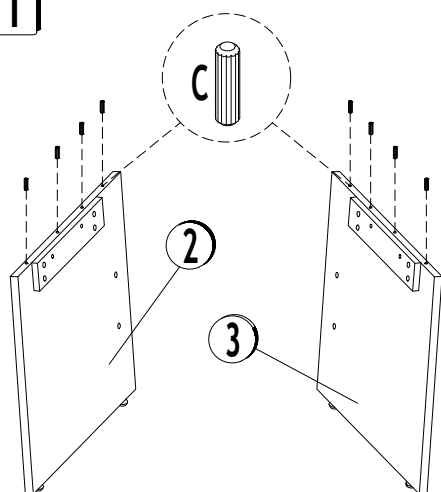
WRITING DESK

PART LIST & HARDWARE LIST							
PARTS LIST				HARDWARE LIST			
NO.	DESCRIPTION	SKETCH	QTY	NO.	DESCRIPTION	SKETCH	QTY
1	TABLE TOP		1	A	JCBC BOLT M6X35MM		12
2	SIDE PANEL L		1	B	ALLEN KEY M4		1
3	SIDE PANEL R		1	C	WOOD DOWEL M8X30MM		8
4	BACK PANEL		1	D	PH CSK SCREW M4X38MM		4

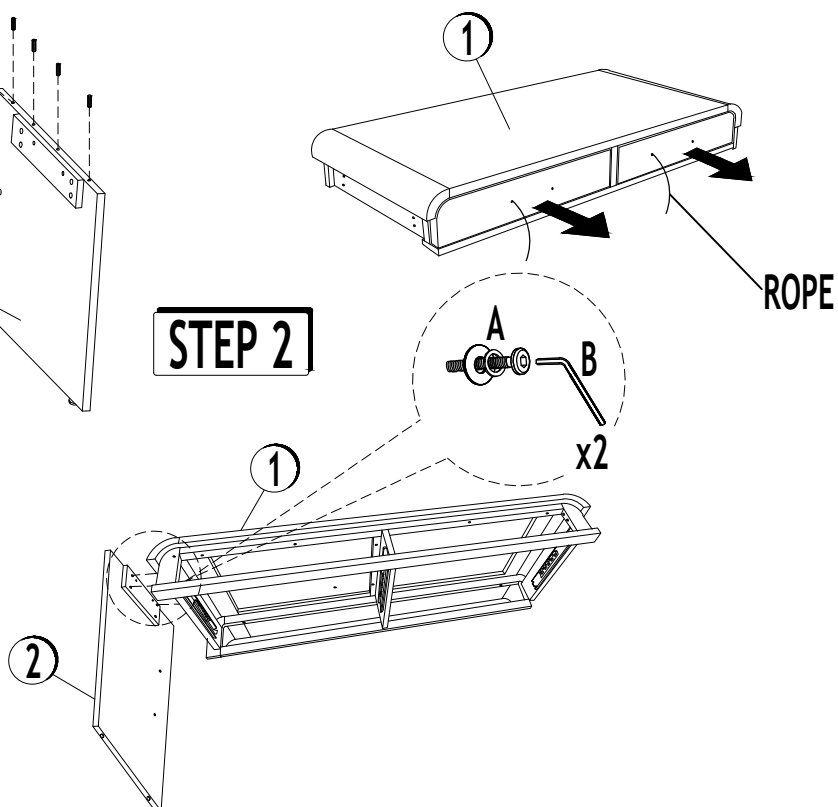
IMPORTANT NOTE :

- * Place all wooden parts on a clean and smooth surface such as a rug or carpet to avoid the parts from being scratched.
- * Check to be sure that you have all parts and hardware.
- * Remove all wrapping materials, including staples & packing straps before you start to assemble.
- * Do not tighten all screws/bolts until all completely assembled.
- * Keep all hardware parts out of reach of children.

STEP 1



STEP 2



THE HARDWARE IS LOCATED IN THE PACKING ITEMS

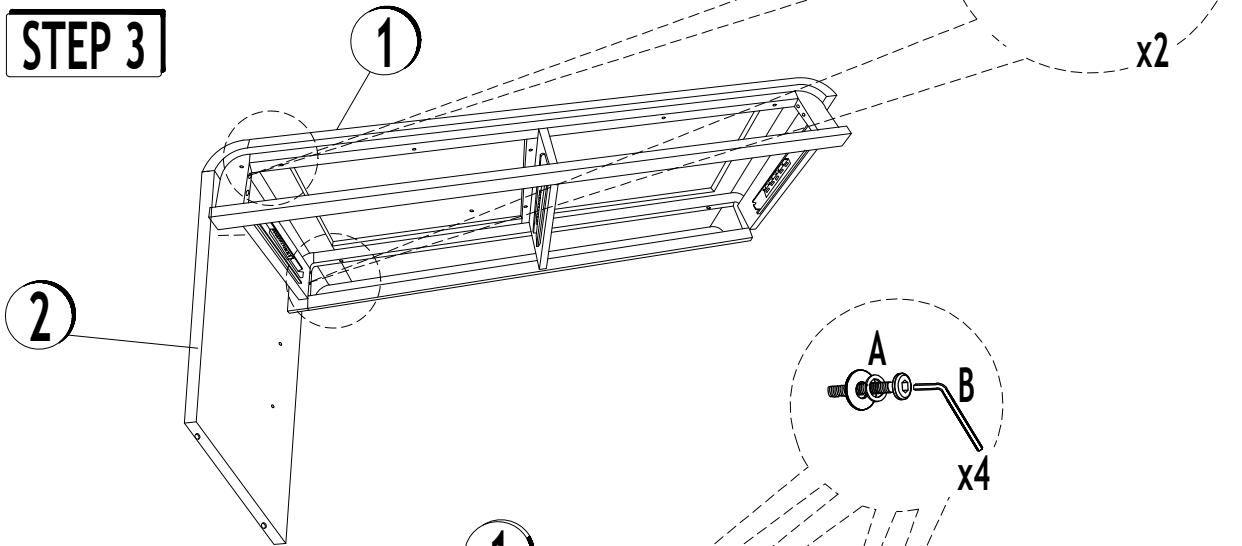
NOTE : Periodically check to ensure that all connectors (bolts, screw, etc) are tight.

ASSEMBLY INSTRUCTIONS

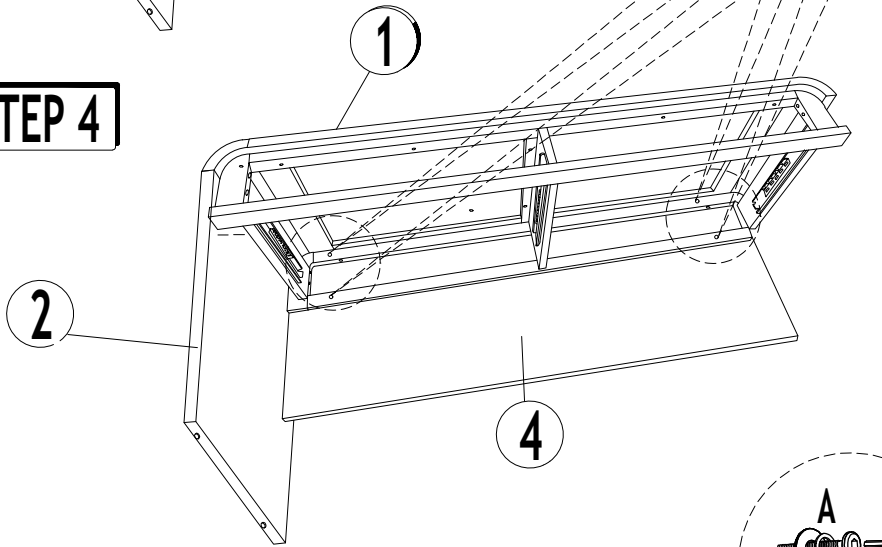
B4900-DESK

WRITING DESK

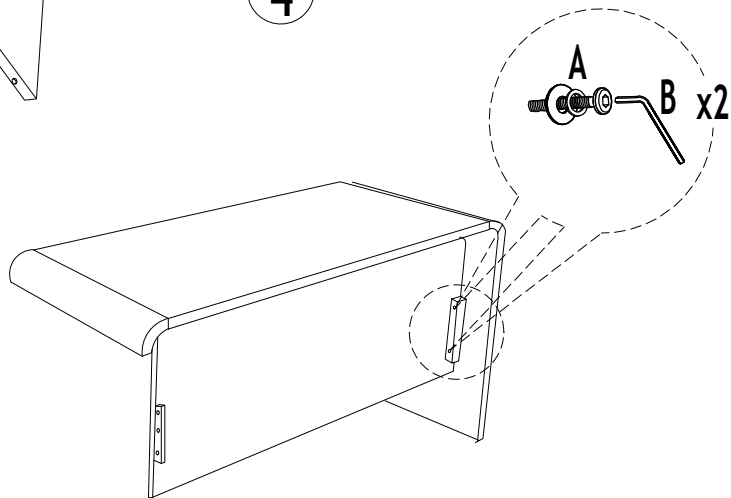
STEP 3



STEP 4



STEP 5



THE HARDWARE IS LOCATED IN THE PACKING ITEMS

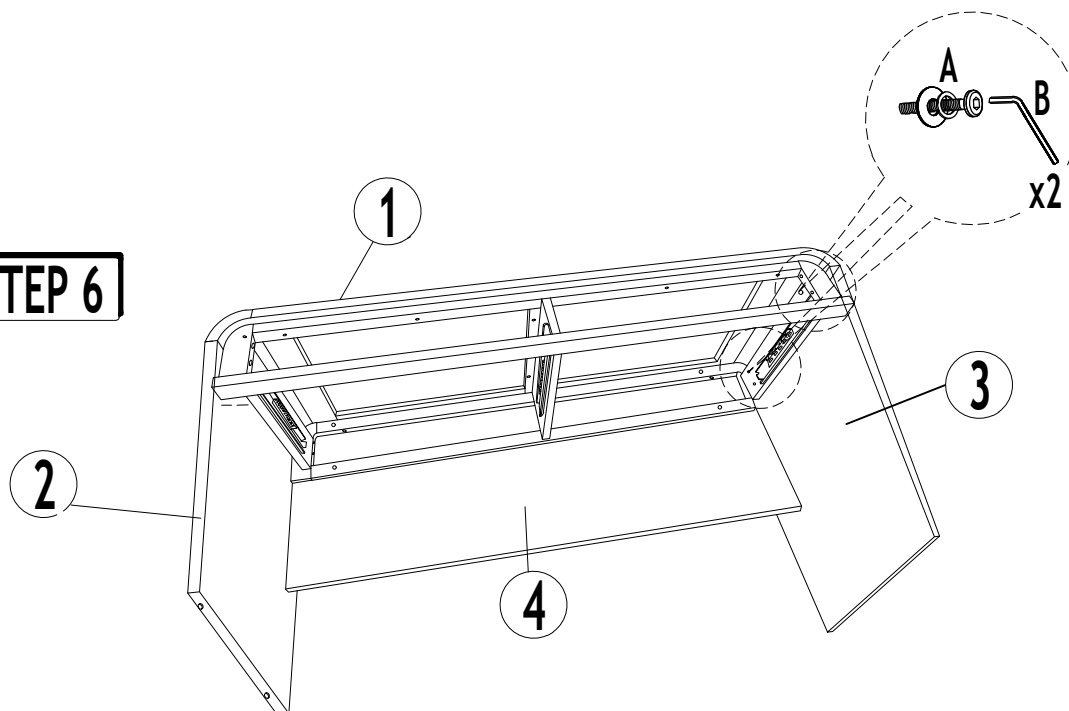
NOTE : Periodically check to ensure that all connectors (bolts, screw, etc) are tight.

ASSEMBLY INSTRUCTIONS

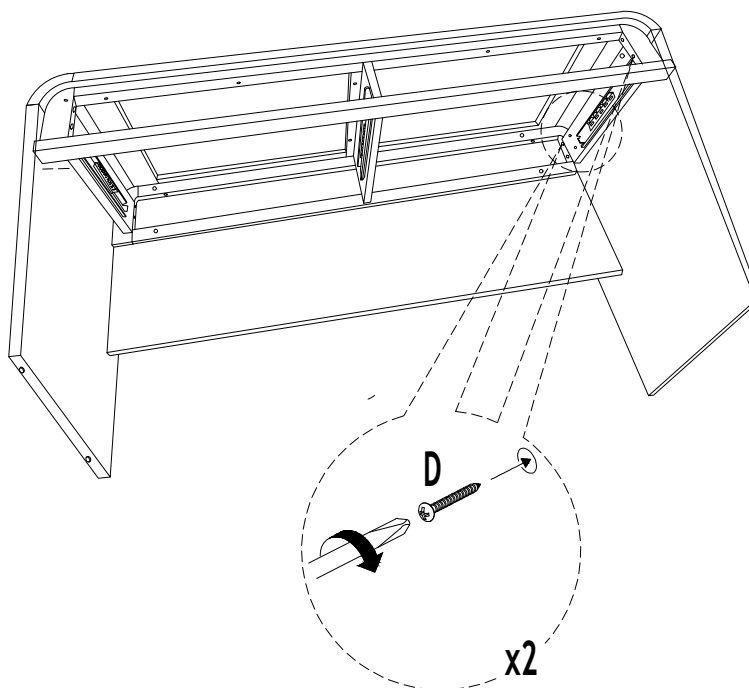
B4900-DESK

WRITING DESK

STEP 6



STEP 7

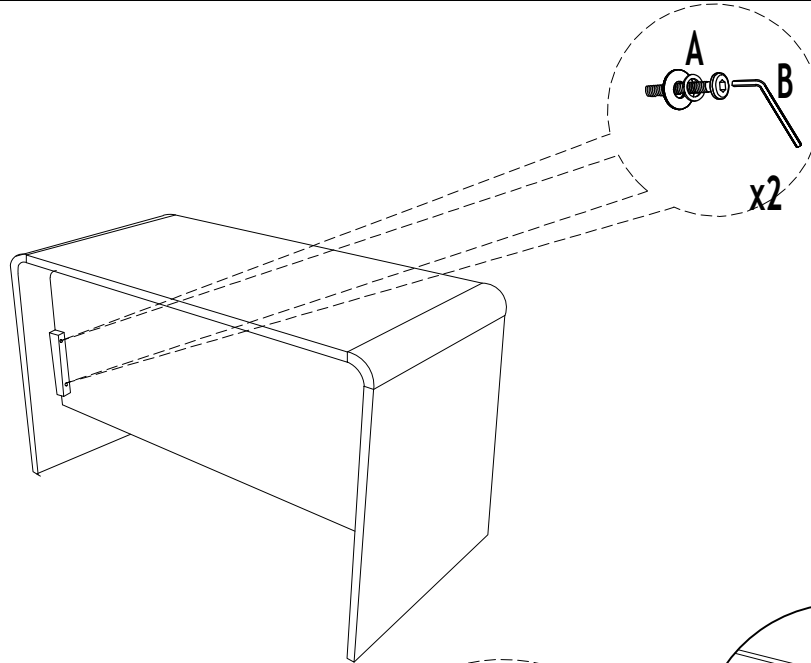


THE HARDWARE IS LOCATED IN THE PACKING ITEMS

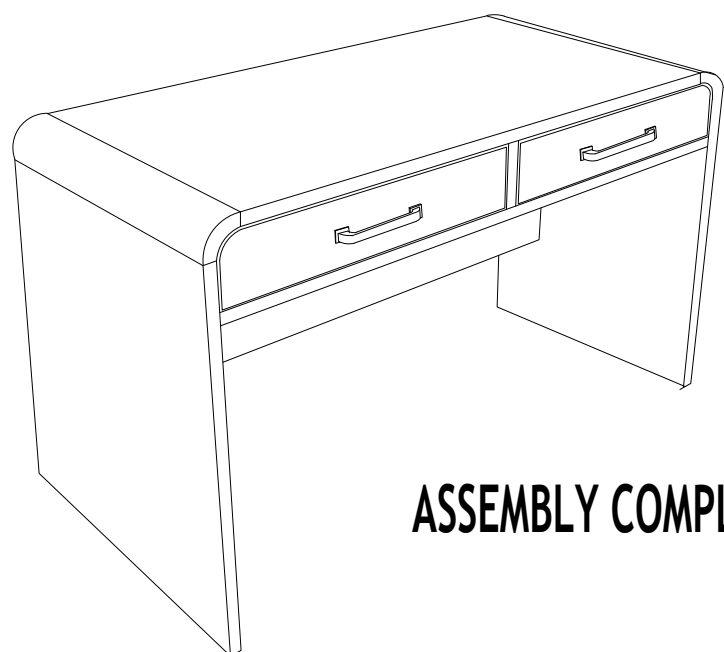
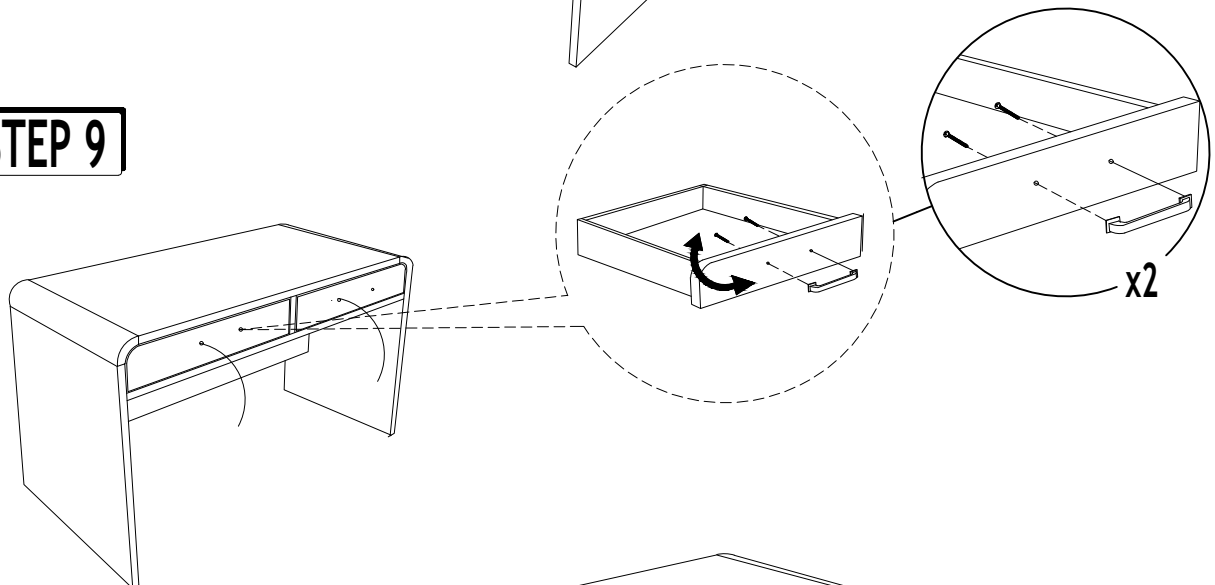
NOTE : Periodically check to ensure that all connectors (bolts, screw, etc) are tight.

ASSEMBLY INSTRUCTIONS
B4900-DESK
WRITING DESK

STEP 8



STEP 9



ASSEMBLY COMPLETED

THE HARDWARE IS LOCATED IN THE PACKING ITEMS

NOTE : Periodically check to ensure that all connectors (bolts, screw, etc) are tight.