






# ASSEMBLY INSTRUCTIONS

## B4920-11

### MIRROR

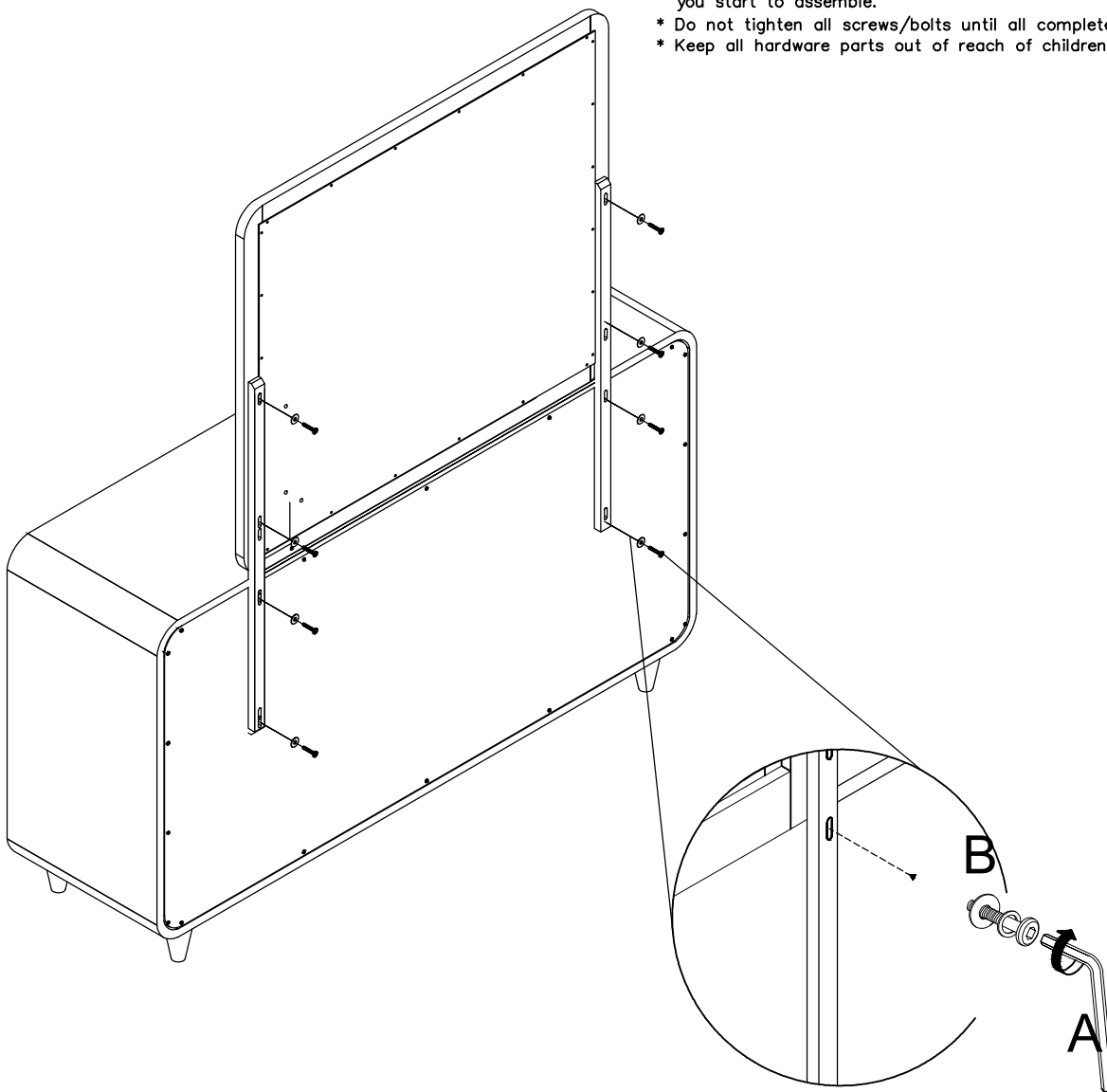
CRWN

(BOX 1) - BOX OF MIRROR							
PARTS LIST				HARDWARE LIST			
NO.	DESCRIPTION	SKETCH	QTY	NO.	DESCRIPTION	SKETCH	QTY
1	MIRROR		1	A	JCBC ( M6 x 35mm ) W/FLAT WASHER & SPRING WASHER		8
2	MIRROR SUPPORT		2	B	ALLEN KEY ( M4 )		1

(BOX 2) - BOX OF DRESSER			
PARTS LIST			
NO.	DESCRIPTION	SKETCH	QTY
3	DRESSER		1

#### IMPORTANT NOTE :

- \* Place all wooden parts on a clean and smooth surface such as a rug or carpet to avoid the parts from being scratched.
- \* Check to be sure that you have all parts and hardware.
- \* Remove all wrapping materials, including staples & packing straps before you start to assemble.
- \* Do not tighten all screws/bolts until all completely assembled.
- \* Keep all hardware parts out of reach of children.



# COMPLETE

THE ANTI TIPPING HARDWARE IS LOCATED AT THE TOP RIGHT DRAWER OF DRESSER

THE HARDWARE IS LOCATED IN THE PACKING ITEMS