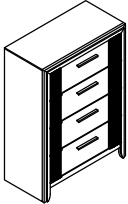







# ASSEMBLY INSTRUCTION

# B5550-4 CHEST

## PARTS LIST

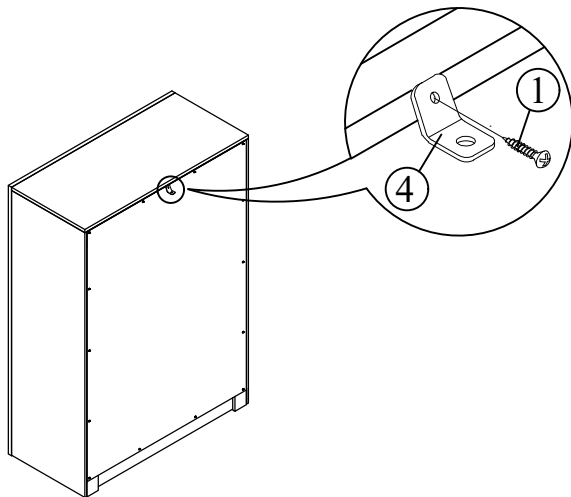
A	CHEST		1 PC
---	-------	---	------

## ANTI-TIPPING HARDWARE LIST

1	16MM SCREW		1 PC
2	50MM SCREW		1 PC
3	STEEL CABLE		1 PC
4	L BRACKET		2 PCS
ASSEMBLY TOOL NOT INCLUDED			

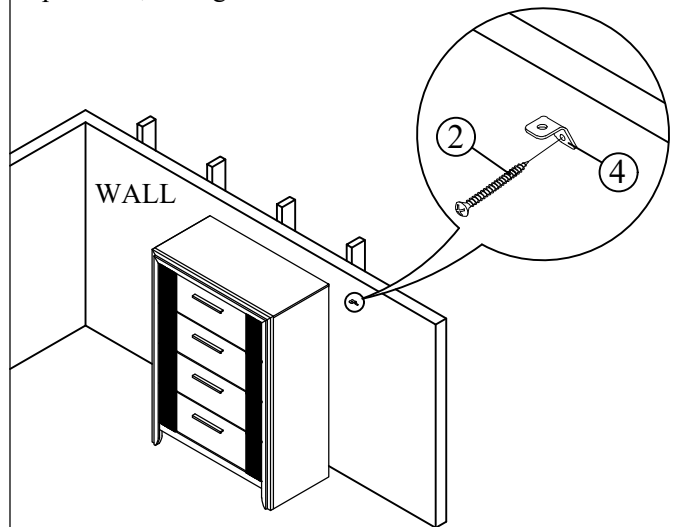
### STEP 1 / Etape 1

Attach the bracket securely to the back top rail of the chest using 16mm screw provided, through the smaller hole.



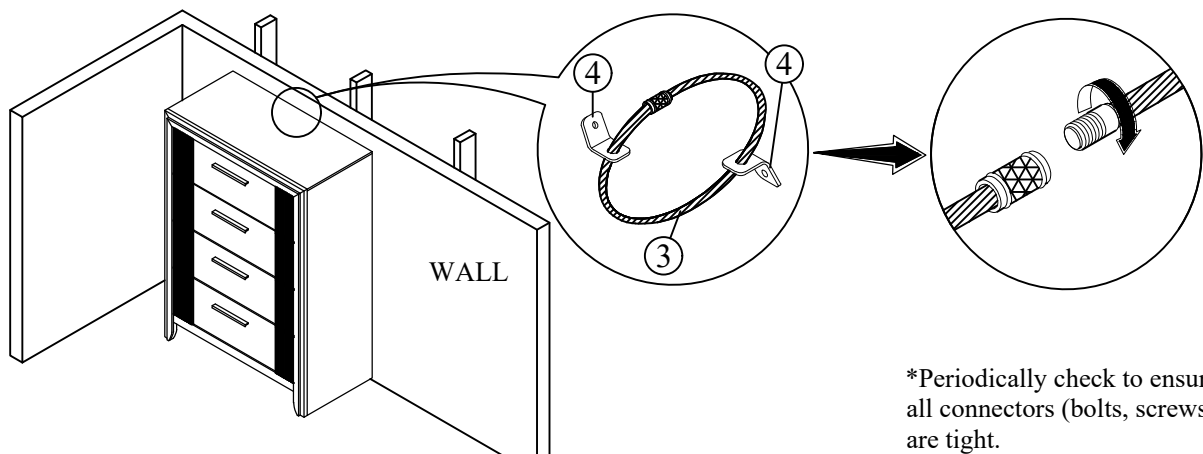
### STEP 2 / Etape 2

Locate the other bracket on the wall over a wall stud and two inches below the mounting bracket secured to the back of chest. Attached to the wall stud using the 50mm screw provided, through the smaller hole.



### STEP 3 / Etape 3

Place the chest into position so both mounting brackets are vertically in line. Lace the male end of the steel cable through the larger hole in each mounting bracket. Securely connect both ends together by turning the female connector clockwise. Confirm that the steel cable is securely locked.



\*Periodically check to ensure that all connectors (bolts, screws, etc.) are tight.