


ASSEMBLY INSTRUCTIONS



CROWN MARK (CRWN)


MODEL: B6550-1 DRESSER & B6550-11 DRESSER TOP



THANK YOU FOR PURCHASING THIS QUALITY PRODUCT. BE SURE TO CHECK ALL PACKING MATERIAL CAREFULLY FOR SMALL PARTS WHICH MAY HAVE COME LOOSE INSIDE THE CARTON DURING SHIPMENT. IDENTIFY AND COUNT ALL PARTS AND COMPARE WITH HARDWARE LIST AS BELOW:

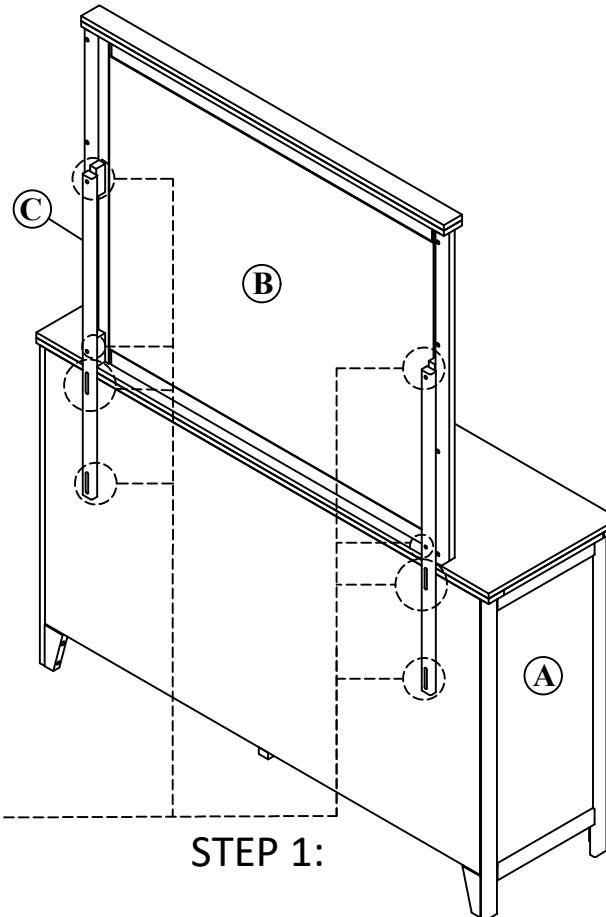
| (BOX 1) BOX OF DRESSER | | | |
|------------------------|---|-------------|-----|
| ITEM | DRAWING | DESCRIPTION | QTY |
| A |  | DRESSER | 1 |

STEP 1 : ATTACH AND TIGHTEN THE MIRROR SUPPORT (C) TO THE DRESSER (A) AND MIRROR FRAME (B) AT BACK, INSERT CONNECTION BOLT (F) WITH WASHER AS SHOWN.

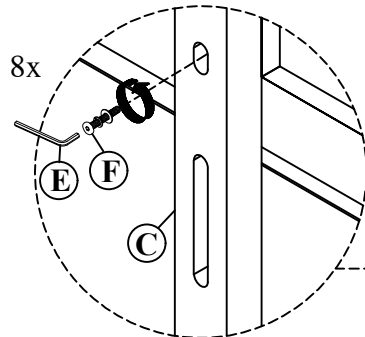
| (BOX 2) BOX OF MIRROR | | | |
|-----------------------|---|------------------------|-----|
| ITEM | DRAWING | DESCRIPTION | QTY |
| B |  | MIRROR | 1 |
| C |  | MIRROR SUPPORT (L&R) | 2 |

| (BOX 1) BOX OF DRESSER (HARDWARE LIST) | | | |
|--|---|---|-----|
| ITEM | DRAWING | DESCRIPTION | QTY |
| D |  | ANTI TIPPING RESTRAINT (Located in Dresser 1st RSF Drawer) | 1 |

| (BOX 2) BOX OF MIRROR (HARDWARE LIST) | | | | |
|---------------------------------------|--|--|-----------|-----|
| ITEM | DRAWING | DESCRIPTION | DIMENSION | QTY |
| E |  | ALLEN KEY M4 | M4x55MM | 1 |
| F |  | CONNECTION BOLT (M6x35mm) W/SPRING WASHER & WASHER MEDIUM | | 8 |



STEP 1:

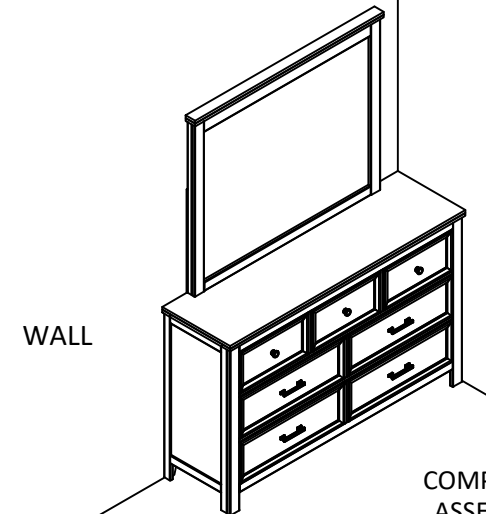
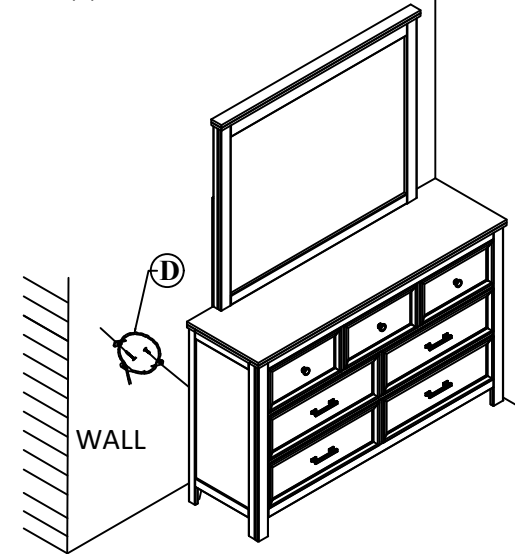


NOTE: PERIODICALLY CHECK TO ENSURE THAT ALL CONNECTORS (BOLTS, SCREW, ETC) ARE TIGHT.

CLEANING INSTRUCTION
AFTER ASSEMBLED, CLEAN & POLISH THE COMPLETE PARTS IF NECESSARY WITH SOFT CLOTHES AND INDUSTRIAL RECOGNIZED FURNITURE POLISH.

THE HARDWARE IS LOCATED IN THE PACKING ITEMS

STEP 2 : Move the Dresser Top (A) & Mirror (B) into final position and use tipping restraint (D) attach to wall



COMPLETED ASSEMBLY

MADE IN MALAYSIA