


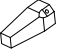
ASSEMBLY INSTRUCTIONS



CROWN MARK (CRWN)

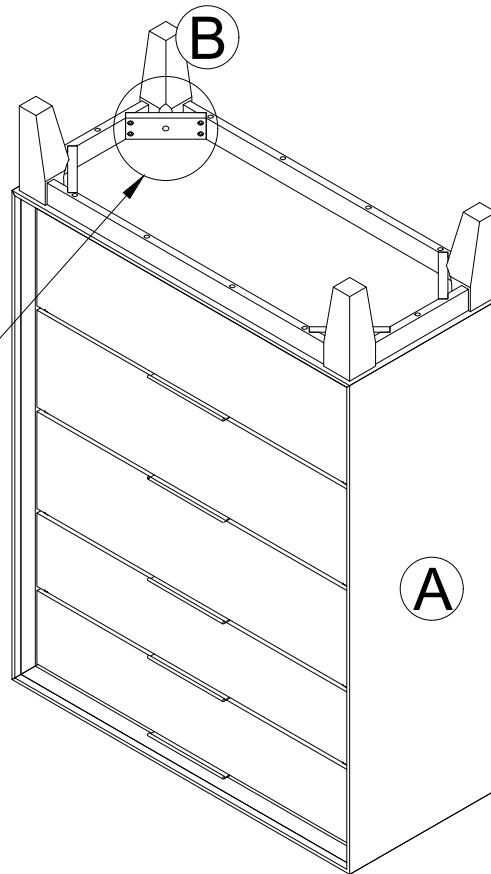
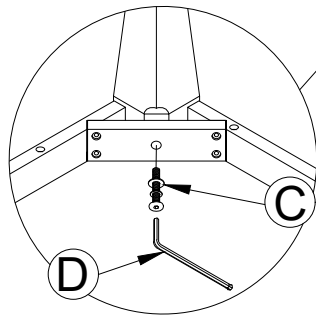
MODEL: B6572-4 FLORIAN CHEST

Thank you for purchasing this quality product. Be sure to check all packing material carefully for small parts which may have come loose inside the carton during shipment. Identify and count all parts and compare with hardware list as below:

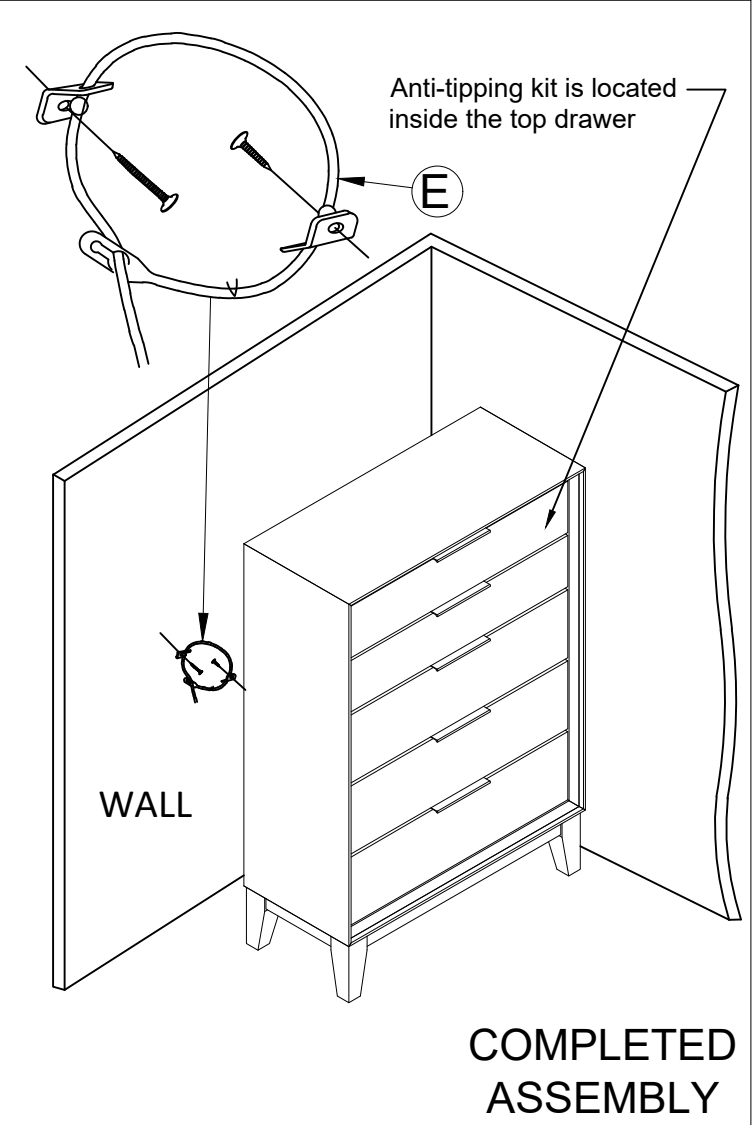
STEP 1

(BOX 1) BOX OF CHEST			
ITEM	DRAWING	DESCRIPTION	QTY
A		CHEST	1
B		BOTTOM LEG	4

(BOX 1) BOX OF CHEST (HARDWARE LIST)				
ITEM	DRAWING	DESCRIPTION	DIMENSION	QTY
C		JCBB (M8) WITH WASHER	8 x P1.0 x 40MM	4
D		ALLEN KEY M5	5 x 35 x 55MM	1
E		TIPPING RESTRAINT	—	1



Step 1 : Attach and tighten the Chest bottom leg (B) to the bottom frame and insert JCBB (C) With Washer as shown.



NOTE: PERIODICALLY CHECK TO ENSURE THAT ALL CONNECTORS (BOLTS, SCREW, ETC) ARE TIGHT.
CLEANING INSTRUCTION

After assembled, clean & polish the complete parts if necessary with soft cloth and industrial recognized furniture polish.

THE HARDWARE IS LOCATED IN THE PACKING ITEMS

MADE IN MALAYSIA