

ASSEMBLY INSTRUCTIONS

B6830 / B6832 / B6835-1

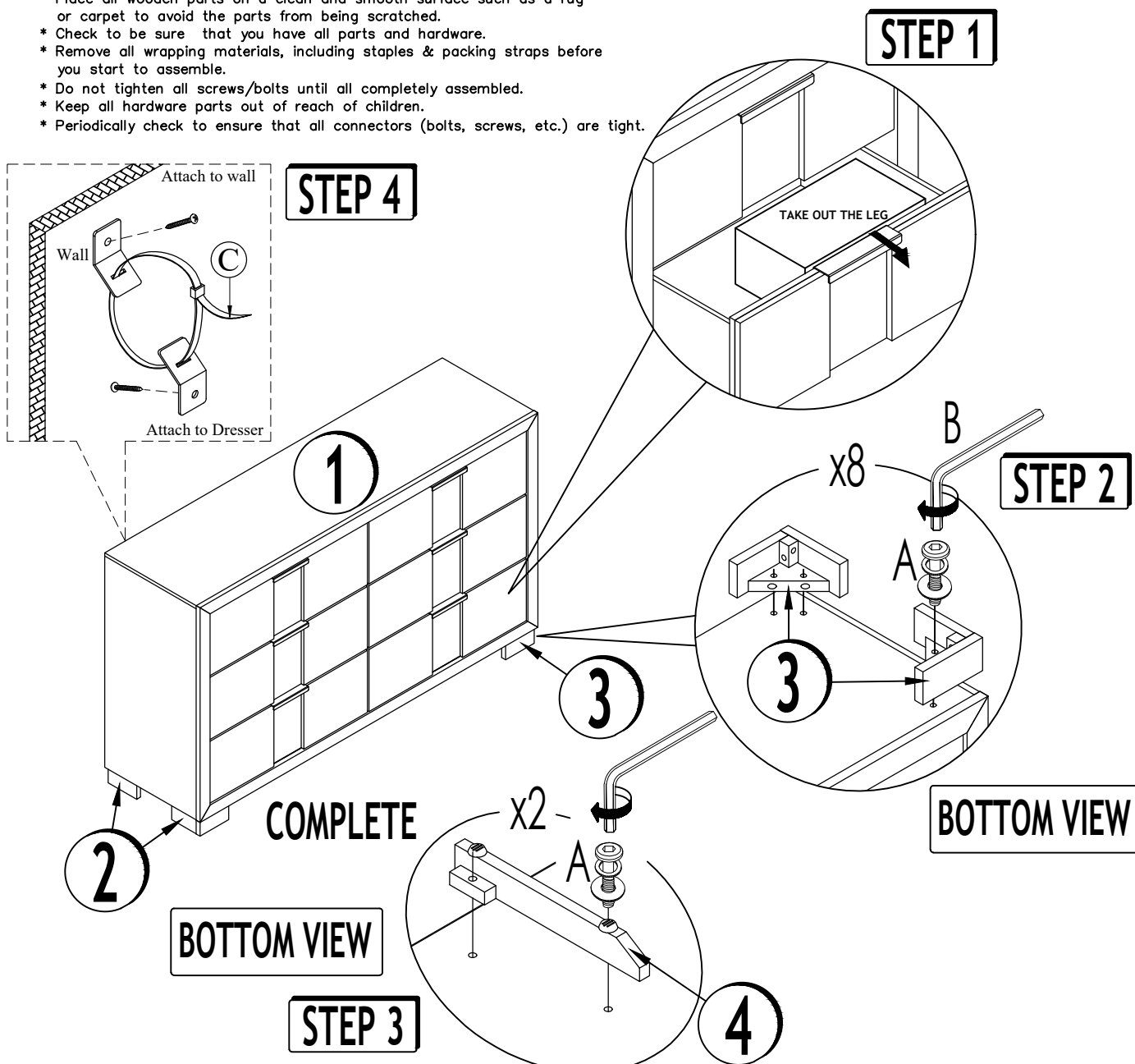
RANGLEY DRESSER

CRWN

(BOX 1) - BOX OF DRESSER							
PARTS LIST				HARDWARE LIST			
NO.	DESCRIPTION	SKETCH	QTY	NO.	DESCRIPTION	SKETCH	QTY
1	DRESSER		1	A	JCBC (M6 x 35mm) W/FLAT WASHER & SPRING WASHER		10
2	LEG LEFT		2	B	ALLEN KEY (M4)		1
3	LEG RIGHT		2	C	TIPPING RESTRAINT		1
4	CENTER LEG		1				

IMPORTANT NOTE :

- * Place all wooden parts on a clean and smooth surface such as a rug or carpet to avoid the parts from being scratched.
- * Check to be sure that you have all parts and hardware.
- * Remove all wrapping materials, including staples & packing straps before you start to assemble.
- * Do not tighten all screws/bolts until all completely assembled.
- * Keep all hardware parts out of reach of children.
- * Periodically check to ensure that all connectors (bolts, screws, etc.) are tight.



THE ANTI TIPPING HARDWARE IS LOCATED AT THE TOP RIGHT SIDE FRONT DRAWER OF DRESSER

THE HARDWARE IS LOCATED IN THE PACKING ITEMS