

ASSEMBLY INSTRUCTIONS

B6830 / B6832 / B6835-4

RANGLEY CHEST

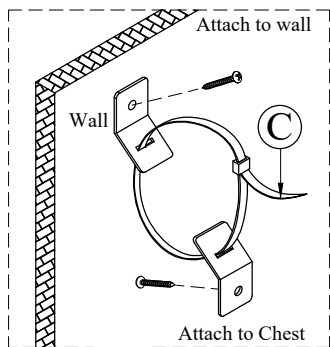
CRWN

(BOX 1) - BOX OF CHEST

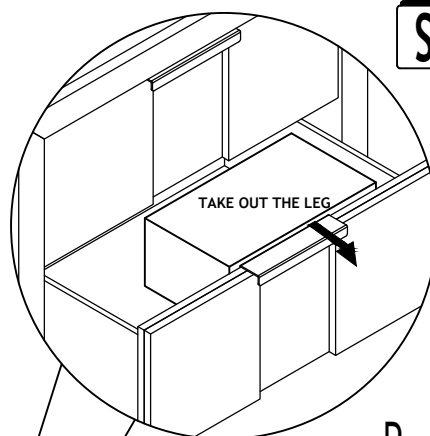
PARTS LIST				HARDWARE LIST			
NO.	DESCRIPTION	SKETCH	QTY	NO.	DESCRIPTION	SKETCH	QTY
1	CHEST		1	A	JCBC (M6 x 35mm) W/FLAT WASHER & SPRING WASHER		8
2	LEG LEFT		2	B	ALLEN KEY (M4)		1
3	LEG RIGHT		2	C	TIPPING RESTRAINT		1

IMPORTANT NOTE :

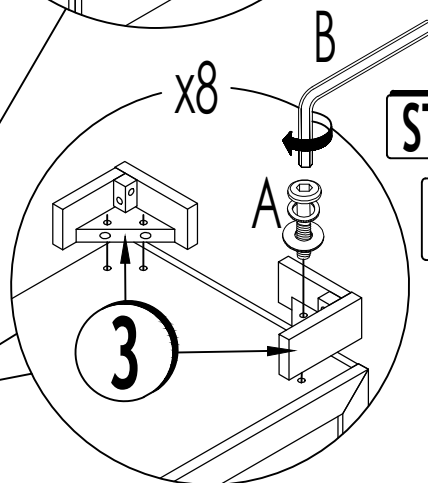
- * Place all wooden parts on a clean and smooth surface such as a rug or carpet to avoid the parts from being scratched.
- * Check to be sure that you have all parts and hardware.
- * Remove all wrapping materials, including staples & packing straps before you start to assemble.
- * Do not tighten all screws/bolts until all completely assembled.
- * Keep all hardware parts out of reach of children.
- * Periodically check to ensure that all connectors (bolts, screws, etc.) are tight.



STEP 3

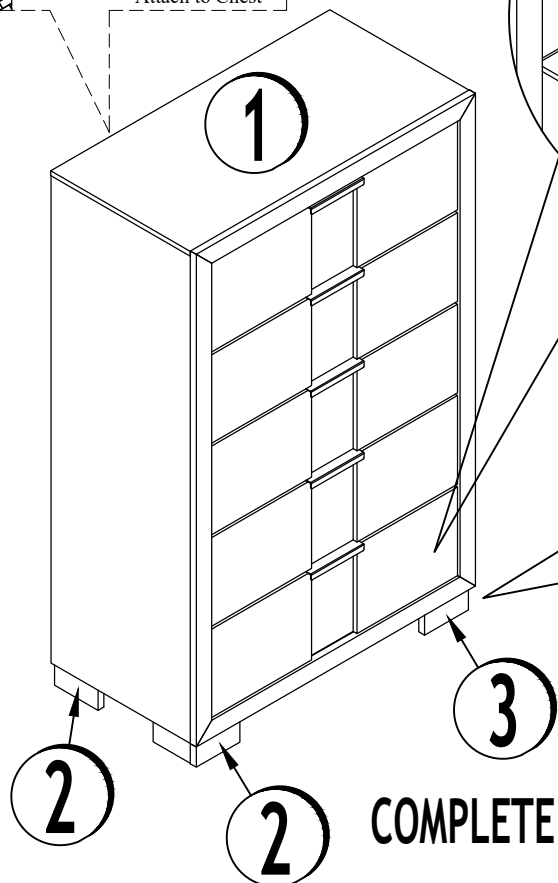


STEP 1



STEP 2

BOTTOM VIEW



THE ANTI TIPPING HARDWARE IS LOCATED AT THE TOP DRAWER OF CHEST

THE HARDWARE IS LOCATED IN THE PACKING ITEMS