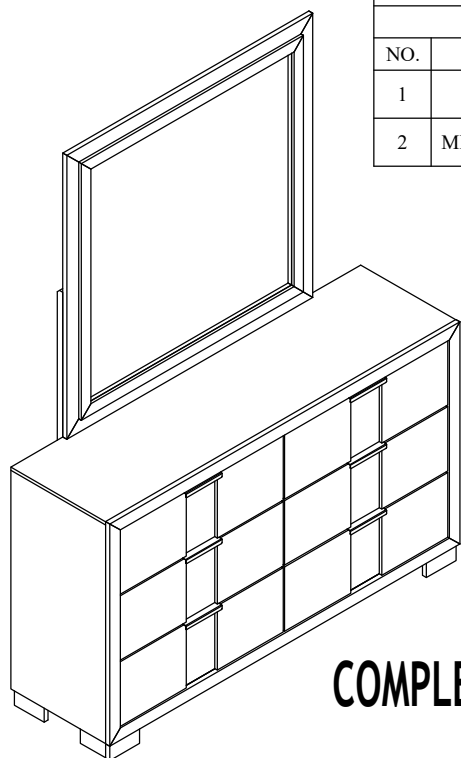


# ASSEMBLY INSTRUCTIONS

## B6830 / B6832 / B6835-11

### RANGLEY MIRROR

CRWN



**COMPLETE**

(BOX 1) - BOX OF MIRROR							
PARTS LIST				HARDWARE LIST			
NO.	DESCRIPTION	SKETCH	QTY	NO.	DESCRIPTION	SKETCH	QTY
1	MIRROR		1	A	PANHEAD (M4 x 30mm)		8
2	MIRROR SUPPORT		2	B	SCREW DRIVER (*)		1

\*The manufacturer does not provide item B.

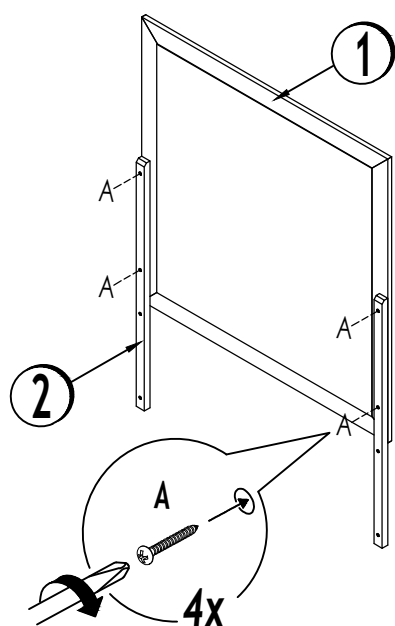
(BOX 2) - BOX OF DRESSER			
PARTS LIST			
NO.	DESCRIPTION	SKETCH	QTY
3	DRESSER		1

#### IMPORTANT NOTE :

- \* Place all wooden parts on a clean and smooth surface such as a rug or carpet to avoid the parts from being scratched.
- \* Check to be sure that you have all parts and hardware.
- \* Remove all wrapping materials, including staples & packing straps before you start to assemble.
- \* Do not tighten all screws/bolts until all completely assembled.
- \* Keep all hardware parts out of reach of children.
- \* Periodically check to ensure that all connectors (bolts, screws, etc.) are tight.

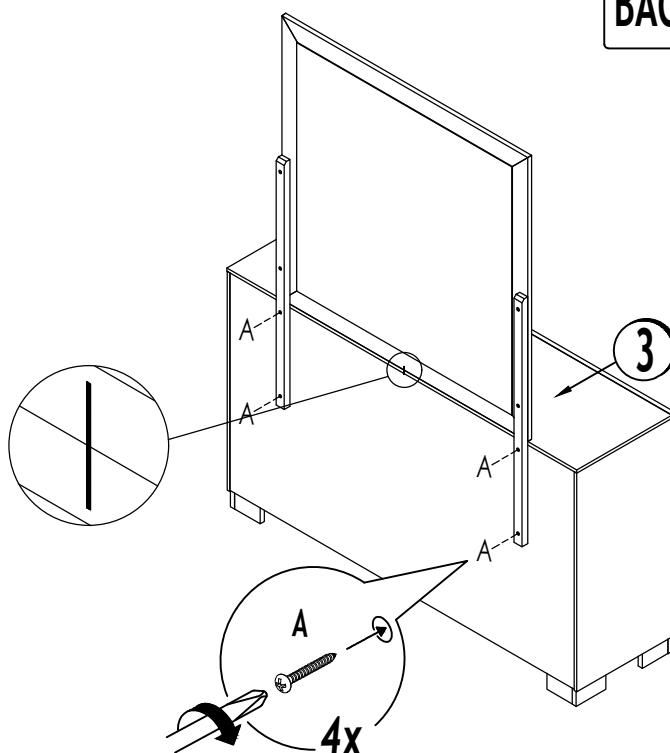
#### STEP 1

**BACK VIEW**



#### STEP 2

**BACK VIEW**



THE ANTI TIPPING HARDWARE IS LOCATED AT THE TOP RIGHT SIDE FRONT DRAWER OF DRESSER

THE HARDWARE IS LOCATED IN THE PACKING ITEMS