





# ASSEMBLY INSTRUCTIONS

## B6980 / B6982-2

### ATTICUS NIGHT STAND

CRWN

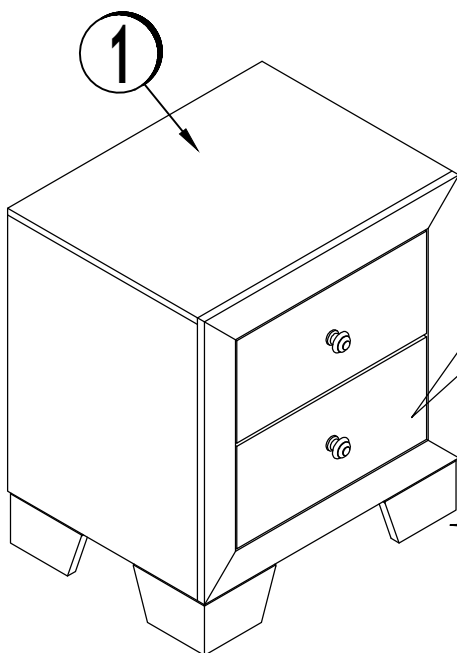
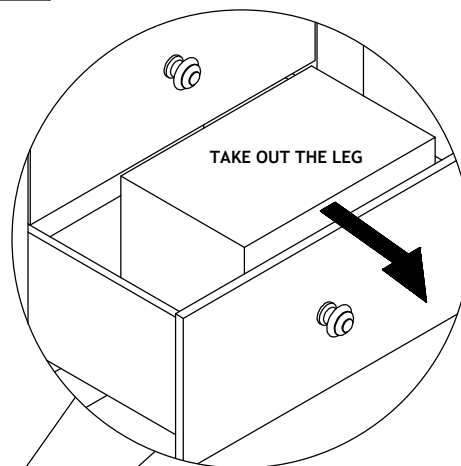
(BOX 1) - BOX OF NIGHT STAND

PARTS LIST				HARDWARE LIST			
NO.	DESCRIPTION	SKETCH	QTY	NO.	DESCRIPTION	SKETCH	QTY
1	NIGHT STAND		1	A	JCBC ( M6 x 35mm ) W/FLAT WASHER & SPRING WASHER		8
2	LEG		4	B	ALLEN KEY ( M4 )		1

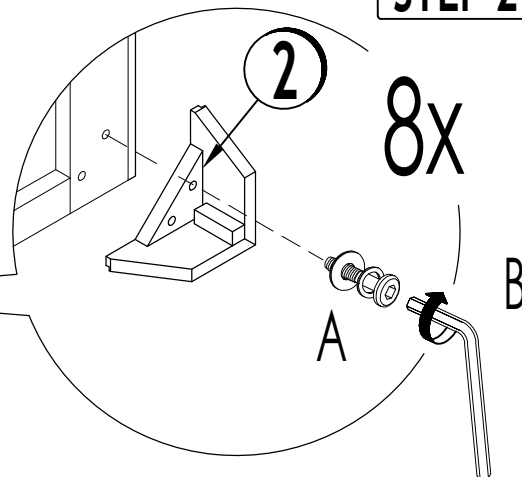
#### IMPORTANT NOTE :

- \* Place all wooden parts on a clean and smooth surface such as a rug or carpet to avoid the parts from being scratched.
- \* Check to be sure that you have all parts and hardware.
- \* Remove all wrapping materials, including staples & packing straps before you start to assemble.
- \* Do not tighten all screws/bolts until all completely assembled.
- \* Keep all hardware parts out of reach of children.
- \* Periodically check to ensure that all connectors (bolts, screws, etc.) are tight.

### STEP 1



### STEP 2



THE ANTI TIPPING HARDWARE IS LOCATED AT THE TOP DRAWER OF NIGHTSTAND

THE HARDWARE IS LOCATED IN THE PACKING ITEMS